



TARGET2

General Functional Specification of the MX / ISO 2022 migration

Version 1.~~4~~2

~~22 November 2013~~31

January 2014

CONTENT

1	Introduction	7
1.1	Objectives of this document	7
1.2	ISO 20022 MX migration – the strategy for TARGET2	7
1.3	Next milestones and assumptions	8
2	Perimeter (“like-for-like” approach).....	10
3	Overview of FIN messages and related ISO 20022 equivalents	11
4	Not affected FIN messages.....	12
5	Functional Aspects	13
5.1	PM	13
5.1.1	PI.....	13
5.1.1.1	Payment Types – General Overview	13
5.1.1.2	Liquidity Transfers	14
5.1.1.3	Backup Payments	15
5.1.1.3.1	Backup contingency payments	15
5.1.1.3.2	Backup liquidity redistribution payments	18
5.1.1.4	Flow of payments	19
5.1.1.4.1	Flow of Messages between SWIFT-based participants in general	19
5.1.1.4.2	Payment message from a direct PM participant to another direct PM participant.....	21
5.1.1.4.3	Payment message from a direct PM participant to an indirect PM participant	23
5.1.1.4.4	Payment message from a direct PM participant to a HAM account holder.....	26
5.1.1.4.5	Payment message from a direct PM participant to CB customer with an account in HAM	28
5.1.1.5	Rejection of payment messages.....	29
5.1.1.6	Debit and Credit Notifications	31
5.1.2	ASI	32
5.1.2.1	Payment Types – General Overview	32
5.1.2.2	Liquidity Transfers	32
5.1.2.2.1	Settlement procedure 1: Liquidity transfer	32
5.1.2.2.2	Settlement procedure 6: Liquidity transfers.....	36

5.1.2.3	Flow of payments	38
5.1.2.3.1	Settlement procedure 1: Liquidity transfer	38
5.1.2.3.2	Settlement procedure 6: Liquidity transfers.....	42
5.1.2.3.3	All settlement procedures: debit and credit SWIFT notifications	45
5.1.3	T2SI.....	46
5.1.3.1	Liquidity Transfers	46
5.1.3.2	Debit Notifications	48
5.2	SDM and TARGET2 Directory.....	49
5.3	ICM	50
5.3.1	RTGS screens	50
5.3.2	HAM screens	51
5.3.3	Services screens	51
5.3.4	Static Data screens	51
5.3.5	Monitoring screens	51
5.4	HAM.....	52
5.4.1	Payments on HAM accounts.....	52
5.4.1.1	Interbank transfers between HAM accounts	53
5.4.1.2	Interbank transfers between HAM accounts initiated by a co- manager	54
5.4.1.3	Liquidity transfer from HAM accounts to RTGS accounts (both accounts held by the same participant)	55
5.4.1.4	Interbank transfers from HAM accounts to RTGS accounts (accounts of different participants also in case of accounts held at different central banks)	56
5.4.1.5	Interbank transfers from HAM accounts to RTGS accounts initiated by a co-manager	57
5.4.1.6	Interbank transfers from HAM accounts to the RTGS account of the co-manager	59
5.4.1.7	Liquidity transfers from RTGS accounts in PM to HAM accounts (same participant)	61
5.4.1.8	Interbank transfers from RTGS accounts to HAM accounts (accounts of different participants).....	62
5.4.2	Payments on CB Customer accounts	63
5.4.2.1	Payments between “CB customer’s accounts“ (same CB)..	64



5.4.2.2	Payments between “CB customer’s accounts“ (different CBs)	65
5.4.2.3	Payments from “CB customer’s accounts“ to RTGS accounts in PM	67
5.4.2.4	Payments from RTGS accounts in PM to CB customer’s accounts	68
5.5	Standing Facilities Module	69
5.6	Reserve Management Module	69
5.7	Contingency Module	70
5.8	CRISP (billing)	70
6	SWIFTNet	71
6.1	SWIFTNet Services - General aspects	71
6.1.1	SWIFTNet addressing	71
6.1.1.1	User requirements	71
6.1.1.2	General rules for SWIFTNet addressing	71
6.1.1.3	Addressing in test environment	73
6.1.2	Service Names	74
6.1.3	Request Type	74
6.1.4	User Roles	75
6.2	SWIFTNet Messages – Details	76
6.2.1	Header and Payload	76
6.2.2	System Messages	77
6.2.2.1	xsys.001 - Y-Copy Authorisation or Refusal	77
6.2.2.2	xsys.002 - Y-Copy Authorisation Notification	78
6.2.2.3	xsys.003 - Y-Copy Refusal Notification	79
6.2.2.4	xsys.012 - Failed Delivery Notification	80
6.2.3	Payment Messages	81
6.2.3.1	FIToFICustomerCreditTransferV03_pacs.008 (core)	81
6.2.3.2	FIToFICustomerCreditTransferV03_pacs.008 (STP)	81
6.2.3.3	FinancialInstitutionCreditTransferV03_pacs.009 (core)	82
6.2.3.4	FinancialInstitutionCreditTransferV03_pacs.009 (COV)	83
6.2.3.5	FinancialInstitutionCreditTransferV03_pacs.009 (simplified)	84
6.2.3.6	FinancialInstitutionDebitTransferV03_pacs.010 (draft)	85
6.2.4	Cash flow management messages	85



6.2.4.1	BankToCustomerCreditDebitNotificationV03 _camt.054 (credit).....	86
6.2.4.2	BankToCustomerCreditDebitNotificationV03 _camt.054 (debit).....	87
6.3	Error codes	89
7	Restart after Disaster	90
8	Open Issues.....	91
	Annex 1 – Aggregated view of first user consultation on ISO 20022.....	92
	Annex 2 – Selected comments of first user consultation on ISO 20022.....	93
	Annex 3 – Central Bank Services	95
	Annex 4 – Mapping tables MX to MT	96
	Annex 4.1 – Pacs.008 Customer Credit Transfer (core)	
	Annex 4.2 – Pacs.008 Customer Credit Transfer (STP)	
	Annex 4.3 – Pacs.009 Financial Institution Credit Transfer (core)	
	Annex 4.4 – Pacs.009 Financial Institution Credit Transfer (COV)	
	Annex 4.5 – Pacs.009 Financial Institution Credit Transfer (simplified)	
	Annex 4.6 – Pacs.010 Financial Institution Direct Debit (draft)	
	Annex 4.7 – Camt.054 Credit Notification	
	Annex 4.8 – Camt.054 Debit Notification	
	Annex 5 – Mapping tables MT to MX	
	Annex 5.1 – MT 103	
	Annex 5.1.1 - Mapping Overview MT 103 to MX pacs.008 (core)	
	Annex 5.1.2 - Mapping Party MT 103 to MX pacs.008 (core)	
	Annex 5.1.3 - Mapping Financial Institution MT 103 to MX pacs.008 (core)	
	Annex 5.1.4 – Mapping Charges MT 103 to MX pacs.008 (core)	
	Annex 5.1.5 - Mapping References MT 103 to MX pacs.008 (core)	
	Annex 5.2 – MT 103 STP	
	Annex 5.2.1 - Mapping Overview MT 103 STP to MX pacs.008 (STP)	
	Annex 5.2.2 - Mapping Party MT 103 STP to MX pacs.008 (STP)	
	Annex 5.2.3 - Mapping Financial Institution MT 103 STP to MX pacs.008 (STP)	
	Annex 5.2.4 – Mapping Charges MT 103 STP to MX pacs.008 (STP)	
	Annex 5.2.5 - Mapping References MT 103 STP to MX pacs.008 (STP)	
	Annex 5.3 – MT 202	
	Annex 5.3.1 - Mapping Overview MT 202 to MX pacs.009 (core)	
	Annex 5.3.2 - Mapping Financial Institution MT 202 to MX pacs.009 (core)	

Annex 5.3.3 - Mapping References MT 202 to MX pacs.009 (core)

Annex 5.4 – MT 202 COV

Annex 5.4.1 - Mapping Overview MT 202 COV to MX pacs.009 (COV)

Annex 5.4.2 - Mapping Party MT 202 COV to MX pacs.009 (COV)

Annex 5.4.3 - Mapping Financial Institution MT 202 COV to MX pacs.009 (COV)

Annex 5.4.4 - Mapping References MT 202 COV to MX pacs.009 (COV)

Annex 5.5 – MT 202 (simplified)

Annex 5.5.1 - Mapping Overview MT 202 (simplified) to MX pacs.009 (simplified)

Annex 5.5.2 - Mapping Financial Institution MT 202 (simplified) to MX pacs.009
(simplified)

Annex 5.5.3 - Mapping References MT 202 (simplified) to MX pacs.009
(simplified)

Annex 5.6 – MT 204

Annex 5.6.1 - Mapping Overview MT 204 to MX pacs.010 (Draft)

Annex 5.6.2 - Mapping Financial Institution MT 204 to MX pacs.010 (Draft)

Annex 5.6.3 - Mapping References MT 204 to MX pacs.010 (Draft)

Annex 5.7 – MT 900

Annex 5.7.1 - Mapping Overview MT 900 to MX camt.054 (Debit)

Annex 5.7.2 - Mapping Financial Institution MT 900 to MX camt.054 (Debit)

Annex 5.7.3 - Mapping References MT 900 to MX camt.054 (Debit)

Annex 5.8 – MT 910

Annex 5.8.1 - Mapping Overview MT 910 to MX camt.054 (Credit)

Annex 5.8.2 - Mapping Financial Institution MT 910 to MX camt.054 (Credit)

Annex 5.8.3 - Mapping References MT 910 to MX camt.054 (Credit)

1 Introduction

1.1 Objectives of this document

The objective of this document is to define the main requirements necessary for the establishment of ISO 20022 standard functionality in TARGET2 covering the interface as well as the communication with its users. It ~~shall serve~~s as General Functional Specification and ~~will be the~~as subject of the second user consultation ~~to be conducted~~ before the end of 2013.

The outcome of the first user consultation with the National User Groups and the TARGET Working Group (NUGs / TWG) which has taken place during June 2013 was taken into account. The aim of this consultation was to collect the views of the users on a series of key issues emerged during detailed analysis of the migration to the new standards and the outcome showed a nearly unanimous support of the market on the view of the Eurosystem (for further information see annexes 1 + 2).

In the first chapters of this document some background information about the ISO 20022 MX migration is given and the so called “like-for-like” approach as well as the FIN messages with their related ISO 20022 MX standard equivalents are described.

The chapter 5 deals with the functional aspects and provides an overview on the impact of the migration on the different modules of TARGET2. The descriptions of the functionalities and business cases are structured with reference to the current UDFS 7.02 where applicable.

The chapter 6 is dedicated to SWIFTNet related topics.

In the subsequent chapters several side issues were touched and the last chapter summarises important open issues and caveats.

1.2 ISO 20022 MX migration – the strategy for TARGET2

Currently the business processes and transaction types in TARGET2 are based on SWIFT MT standard. The standard has been developed in the 1970s and has continuously improved over the years by annual releases. In addition TARGET2 is already processing XML messages for its Ancillary System Interface and its Information and Control Module, using formats that are quite similar to those introduced in ISO 20022.

The discussions around a possible migration of TARGET2 to ISO 20022 started as early as 2010. The launch of the Eurosystem project TARGET2-Securities (T2S) has been naturally a turning point in pushing TARGET2 to adopt a new set of ISO 20022 compliant messages. TARGET2 needed to be ready for the communication between the two platforms, and the fact that T2S decided for the exclusive use of the ISO 20022 standard forced TARGET2 to adopt the new standard for such a communication.

Furthermore an increasing number of communities around the world started discussion on the adoption of ISO 20022 messages for payments and there is a common understanding about the benefits of such a migration, especially regarding harmonisation between different platforms. The contribution of SWIFT and its users’ community was fundamental to the definition of the specifications of a new set of messages specifically designed for the High Value Payment Systems (HVPS).

As result of an extensive user consultation, the Eurosystem detailed its strategy for the migration of TARGET2 to a new set of payment messages which are ISO 20022 compliant in

November 2017. According to the endorsed strategy, all the SWIFT FIN MT standards currently used in TARGET2 for payment purposes will be replaced by their MX equivalent following a so called “like-for-like” approach. This approach ensures the interoperability with other payment systems as well as the “backwards” interoperability with the legacy standard.

As far as it is currently known, by November 2017 TARGET2 will be one of the first SWIFT-based HVPS to migrate to ISO 20022 which is an important fact, as it gives TARGET2 the status of benchmark for similar migrations of other HVPS.

1.3 Next milestones and assumptions

TARGET2 envisages migrating payment messaging to ISO 20022 within TARGET2 release 11 due in November 2017. ~~This implies that a~~All necessary high-level technical specifications are known-shared by the end of 2013, so that the banking community will have four years for their internal planning and preparation.

A rough project timetable to depict the actions till 2015 was created by the ECB. The Joint Task Force (JTF) serves as a forum in which discussions take place with National User Groups and the TARGET Working Group (NUGs / TWG).

With the second user consultation scheduled from 25 November to 20 December 2013 the users are invited to check that they have sufficient information to be enabled to review the comprehensiveness of their plans at their respective institutions.

According to the outcome of the second user consultation an amended version of the GFS will be delivered by end of January 2014. Based on this information the cost and feasibility assessment of the 3CB will be performed between February and May 2014.

In the following phase a further technical documentation and the UDFS will be drafted. The publication of the UDFS is scheduled for end of June 2015 which will be followed by a user consultation.

For the drafting of this GFS the following assumptions were taken into account:

- SWIFT remains the unique provider of the messaging services for TARGET2;
- All the current services in FIN should find their equivalents in MX;
- The transport network for MX messages must be equivalent to the FIN ;
- The introduction of ISO 20022 should not affect the current TARGET2 business model and message flow;
- Overall payment flow and modular design of the SSP will remain unchanged;
- The changes in TARGET2 will be as limited as possible; usage of messages according to the “like-for-like” approach ensures preservation of current data (although it is possible it may appear in a different place or by different name of the tags);
- All FIN payment messages will migrate to their related MX equivalent messages which are fully ISO 20022 compliant but not necessarily registered at ISO (including the optional modules (RM, SF, HAM) as far as their payment messages are concerned);

- ASI XML payment messages are excluded from the migration in 2017; FIN payment messages (e.g. MT 202 or MT9XX) generated as part of the ASI flow will be included in the migration scope;
- ~~The new functionalities that will have been~~ introduced for the interface to T2S (T2SI) are already using XML messages (according SWIFT Standards Cash Management release 2013 [camt.CAMT5]); changes regarding T2SI will be as limited as possible and will not be changed with the migration in 2017; the initiation as well as notification of liquidity transfers via MT 202 will be discarded;
- Current ICM A2A XML messages are excluded from the migration in 2017;
- The migration of MT 940 and MT 950 is not envisaged for 2017 by request of the users, due to the need to adapt their backoffice legacy applications;
- There will be no expansion of current functional range for Internet-based participant, i.e. the current functional range will be kept (equivalents of MT 103, MT 103+, MT 202, MT 202 Cover, several liquidity transfers, etc.).

Other issues

With regard to addressing protocols the participants should continue to be able to use solely BIC for addressing purposes and not DN.

2 Perimeter (“like-for-like” approach)

MX migration will take place as Big-bang in Nov 2017, so that all affected messages will be replaced at the same time and no step-by-step approach has to be considered. There will be no coexistence of the “old” MT and “ new “ MX standards and TARGET2 will not offer any conversion features. The migration is mainly a technical migration of payment messages (only) from MT to their MX equivalents, thus the functional scope of the payment messages will be left unchanged by this migration. It aims to ensure the complete interoperability with legacy standards, i.e.:

- Overall payment flow or design of the SSP should remain unchanged (e.g. full Y-Copy and accounts identified by BICs);
- Payment and cash flow messages which will be migrated are MT 103, MT 103(+), MT 202, MT 202 (COV), MT 204, MT 900 and MT 910;
- The existing facility whereby participants can opt for MT 900 and MT 910 notification will be discontinued when the migration to MX takes place. Instead, all participants which have opted in their static data for this notification method will be automatically migrated to receipt of camt.054 Credit and Debit notification.
- SWIFT system messages affected by migration are MT 096, MT 097, MT 012 and MT 019;
- PM (including ASI-MT¹) and also the optional modules (RMM, SFM and HAM) have to migrate as far as their FIN payment messages are concerned;
- The changes in ICM screens should be kept to the minimum and should mainly aim at renaming fields or tags;
- BICs are no longer adequate to address a participant as in the MX world a DN is necessary. Hence, a translation of the BIC into DN and vice versa in the addressing fields of the InterAct messages was elaborated.

¹ Migration of MT in ASI settlement procedures 1 and 6 (integrated) is subject to be confirmed whether those procedures are still used in 2017.

3 Overview of FIN messages and related ISO 20022 equivalents

This table provides an overview about the FIN messages to be migrated and their ISO 20022 MX standard equivalents. The new message structures are designed by SWIFT message group and have been published in MyStandards, SWIFT's collaborative web platform.

The mapping of messages pacs.008/009 and camt.054 in GFS is based on ISO 20022 version V03². To become in line with the current level of the related ISO messages is TARGET2 going to work in cooperation with SWIFT on the finalisation of tables and TARGET2 guidelines this year, fully based on version V04 for messages to be updated (pacs.008/009 and camt.054).

TARGET2 will provide customised schema files for TARGET2 user group.

FIN MT messages		ISO 20022 MX equivalent	
Name	Message IdentifierType	Name	Message IdentifierType
Customer Payment	MT 103	FItoFICustomerCreditTransferV03	pacs.008. 001.03
Customer Payment	MT 103+	FItoFICustomerCreditTransferV03_STP	pacs.008. 001.03 (STP)
Financial Institution Credit Transfer	MT 202	FinancialInstitutionCreditTransferV03_GENERAL	pacs.009. 001.03
Financial Institution Credit Transfer Cover	MT 202 COV	FinancialInstitutionCreditTransferV03_COVER	pacs.009. 001.03 (COV)
Financial Institution Debit Transfer	MT 204	FinancialInstitutionDirectDebitV01	pacs.010. 001.04
Debit Notification	MT 900	BankToCustomerDebitCreditNotificationV03_DEBIT	camt.054. 001.03 (DEBIT)
Credit Notification	MT 910	BankToCustomerDebitCreditNotificationV03_CREDIT	camt.054. 001.03 (CREDIT)

² Please note the pacs.010 is not an ISO 20022 message yet. The draft will be submitted by SWIFT to ISO documented by a business justification for ISO registration of the message.

4 Not affected FIN messages

This table provides an overview about the FIN MT messages not to be migrated into ISO 20022 MX standard.

FIN MT messages	
Name	Message Identifier
Customer Statement Message	MT940
Statement Message	MT950

The migration of MT 940 and MT 950 is not envisaged for 2017 by request of the users, due to the need to adapt their backoffice legacy applications.

5 Functional Aspects

TARGET2 offers core and optional services to meet the different requirements of all customers. Because of the system's high complexity the architecture is characterised by a modular approach. The impact of ISO 20022 MX migration on the TARGET2 modules and their interfaces is in parts different. This chapter aims to provide an overview and details about the migration ~~of-to~~ ISO 20022 standard and in this context to point out the characteristics of the modules and related interfaces. The descriptions of the functionalities and business cases are structured with reference to current UDFS v7.02 where applicable.

5.1 PM

The payment module offers three TARGET2 interfaces to process the payment and settlement business of TARGET2:

- Participant interface (PI) for credit institutions based on the SWIFTNet Copy service.
- Ancillary system interface (ASI) with six generic settlement models based on SWIFTNet XML standards for the ancillary systems business.
- T2S interface (T2SI) based on ISO 20022 / SWIFTNet XML standards offering a broad set of core and optional value added services for the communication with T2S.

All of the three interfaces are impacted by ISO 20022 MX migration in TARGET2 but in different ways. The following chapter provides details about the application of the “like-for-like” approach for all interfaces.

Note: Internet channel for U2A access to TARGET2 for Internet-based participants will not be affected by the ISO migration.

5.1.1 PI

5.1.1.1 Payment Types – General Overview

PM participants can submit/issue the following payment types:

- credit transfers: pacs.008, pacs.008 (STP), pacs.009 and pacs.009 (COV)
- direct debits: pacs.010 (only for SWIFT-based PM participants; an Internet-based participant can only receive a pacs.010)

The following table shows the possible SWIFTNet MT messages and their related ISO 20022 compliant MX equivalents to be processed in context with payment services:

Message Identifier	Type	Acceptance	Description	MT equivalent
pacs.008- 001.03 (core)		Mandatory	Customer (non-STP) payment	MT 103
pacs.008- 001.03 (STP)		Mandatory	Customer (STP) payment	MT 103(+)

Message Identifier	Type/	Acceptance	Description	MT equivalent
pacs.009. 001.03 (core)		Mandatory	Bank-to-bank payment - general payment message	MT 202
pacs.009. 001.03 (COV)		Mandatory	Bank-to-bank payment - message for cover method including customer credit transfer details	MT 202 (COV)
pacs.010. 001.04		Optional	Direct debit payment	MT 204
xsys.001. 001.04 -		Mandatory	Y-Copy Authorisation or Refusal	MT 097
xsys.002. 001.04		Optional	Y-Copy Authorisation Notification	MT 012
xsys.003. 001.04		Mandatory	Y-Copy Refusal notification	MT 019
xsys.012. 001.04		Mandatory	Failed delivery notification	MT 019
camt.054. 001.03		Optional	Confirmation of debit or credit	MT 900/910
MT 940/950		Optional	(Customer) Statement message	MT 940/950

Note: ~~xsys-Xsys~~ messages are system messages provided by SWIFT. The migration of MT 940 and MT 950 is not envisaged for 2017 by request of the users, due to the need to adapt their backoffice legacy applications.

5.1.1.2 Liquidity Transfers

Liquidity transfers are transfers of funds between accounts held by the same participant or between members of the same group of accounts.

There are different ways to initiate liquidity transfers for PM accounts (concerning ASI and T2SI business cases please refer to the dedicated chapter):

- standing order
- current order via ICM U2A
- current order via ICM A2A (camt.050 XML message)
- pacs.009 XML message via PI which will replace the MT 202 FIN message

Following the “like-for-like” approach the existing MT 202 usage to initiate liquidity transfers in PM will be migrated to the usage of the pacs.009 XML message with the same set of features in the PM processing (e.g. warehoused payments, etc.).

Note: As a consequence a PM participant will have two different MX messages available for the initiation of liquidity transfers within PM/ASI or towards HAM: camt.050 (via ICM A2A) and pacs.009 (via PI).

5.1.1.3 Backup Payments

Two categories of backup payments exist and will be affected by ISO 20022 MX migration:

1. the backup contingency payments to predefined systems (CLS and EURO1);
2. the more flexible backup liquidity redistribution payments to other direct TARGET2 participants.

Note: The function to enter backup payment for STEP2 is considered as not necessary anymore, so no consideration for ISO 20022 MX migration.

PM will generate pacs.009 payment messages in favour of the participant named as receiver within the ICM order.

5.1.1.3.1 Backup contingency payments

Rules for CLS payments

The table below provides the rules for backup contingency payments to CLS (MT 202 in comparison to its related MX equivalent pacs.009):

Item	pacs.009	<u>Mapping to MT 202</u>
Payment Initiation	via ICM U2A or A2A (camt.023 / camt.998)	
Priority of payment	highly urgent	
Message type	pacs.009 via SWIFTNet (no Y-copy)	MT 202 via SWIFTNet FIN (no Y-copy)
Sender of this message	cn=interact,-ou=xxx,-o=trgtxepm,-o=swift (PM DN)	TRGTXEPMXXX (PM BIC)
Receiver of this message	CLS DN	CLS BIC



**General Functional Specification of the
MX / ISO 20022 migration**

Item	pacs.009	<u>Mapping to MT 202</u>
Fields for input via ICM	<ul style="list-style-type: none"> • EndToEndId: End-to-end identification • IntrBkSttlmAmt: Amount • Dbtr/FinInstnId/BICFI: BIC of the ordering institution • Cdr/FinInstnId/BICFI: BIC of the receiver in CLS (ordering party) • CLSTm (- format: ISOTime hh:mm:ss.sss+/-ii:nn): optional; CLS time if captured is treated as latest debit time <p>Note: Element will not be used in pacs.009 if no time has been entered. Instead in current MT 202 code /CLSTIME/ in F72 is used even if there no time indication.</p>	<p>F21: Related reference</p> <p>F32A: Amount</p> <p>F52A: BIC of the ordering institution</p> <p>F58A: BIC of the receiver in CLS</p> <p>F72: "/CLSTIME/" followed optionally by the given time (format: hhmm) is treated as latest debit time</p>
Fields predefined (cannot be changed)	InstrId: TRN assigned by PM	F20: TRN assigned by PM
Tag in the payment message	InstrInf: code /BUP/ will be added automatically (BUP = backup payment)	F72: /BUP/, will be automatically added
Tag in the statement message	BUP	
Tag in the ICM payment queue	Backup Payment	

Rules for backup contingency payments to EURO1

The table below gives the rules for backup contingency payments to the EBA related to EURO1 collateral account or EURO1 pre-settlement account (MT 202 compared to its related MX equivalent pacs.009):

Item	pacs.009	<u>Mapping to MT 202</u>
Payment Initiation	via ICM U2A or A2A (camt.023 / camt.998)	
Priority of payment	urgent	
ISO message type	pacs.009 via SWIFTNet (no Y-copy)	MT 202 via SWIFTNet FIN (no Y-copy)



**General Functional Specification of the
MX / ISO 20022 migration**

Item	pacs.009	<u>Mapping to MT 202</u>
Sender of this message	cn=interact,-ou=xxx,-o=trgtxepm,-o=swift (PM DN)	TRGTXEPMXXX (PM BIC)
Receiver of this message	EBA DN (related to collateral account or pre-settlement account)	EBA BIC (collateral account)
Fields for input via ICM	<ul style="list-style-type: none"> • EndToEndId: End-to-end identification • IntrBkSttlmAmt: Amount • Dbtr/FinInstnId/BICFI: BIC of the ordering institution 	F21: Related reference F32A: Amount F52A: BIC of the ordering institution
Fields predefined (cannot changed)	<ul style="list-style-type: none"> • InstrId: TRN assigned by PM • Cdtr/FinInstnId/BICFI: EBA BIC (of the collateral account or the pre-settlement account) 	F20: TRN assigned by PM F58A: EBA BIC (collateral account respectively pre-settlement account)
Tag in the payment message	InstrInf: code /BUP/ will be added automatically (BUP = backup payment)	F72: /BUP/, will be automatically added
Tag in the statement message	BUP	
Tag in the ICM payment queue	Backup Payment	

5.1.1.3.2 Backup liquidity redistribution payments

The recipient can be any direct TARGET2 participant (including CBs as direct PM participants).

Rules for backup liquidity redistribution payments

The table below provides the rules for backup liquidity redistribution payments (MT 202 compared to its related MX equivalent pacs.009):

Item	pacs.009	<u>Mapping to MT 202</u>
Payment Initiation	via ICM	
Priority of payment	urgent	
ISO message type	pacs.009 via SWIFTNet (no Y-copy)	MT 202 via SWIFTNet FIN (no Y-copy)
Sender of this message	cn=interact,-ou=xxx,-o=trgtxepm,-o=swift (PM DN)	TRGTXEPMXXX (PM BIC)
Receiver of this message	According to DN of BIC input in element Cdtr/FinInstnId/BICFI	According to BIC input in field 58A
Fields for input via ICM	• IntrBkSttlmAmt: Amount	F32A: Amount
	• Cdtr/FinInstnId/BICFI: BIC of the receiver of the payment	F58A: BIC of the receiver of the payment
Fields predefined (cannot be changes)	• InstrId: TRN assigned by PM	F20: TRN assigned by PM
	• EndToEndId: End-to-end identification (same content as InstrId)	F21: same content as field 20
	• Dbtr/FinInstnId/BICFI: BIC of the orderings party	F52A: BIC of the ordering institution
Tag in the payment message	InstrInf: code /BUP/ will be added automatically (BUP = backup payment)	F72: /BUP/, will be automatically added
Tag in the statement message	BUP	
Tag in the ICM payment queue	Backup Payment	

5.1.1.4 Flow of payments

General Aspects

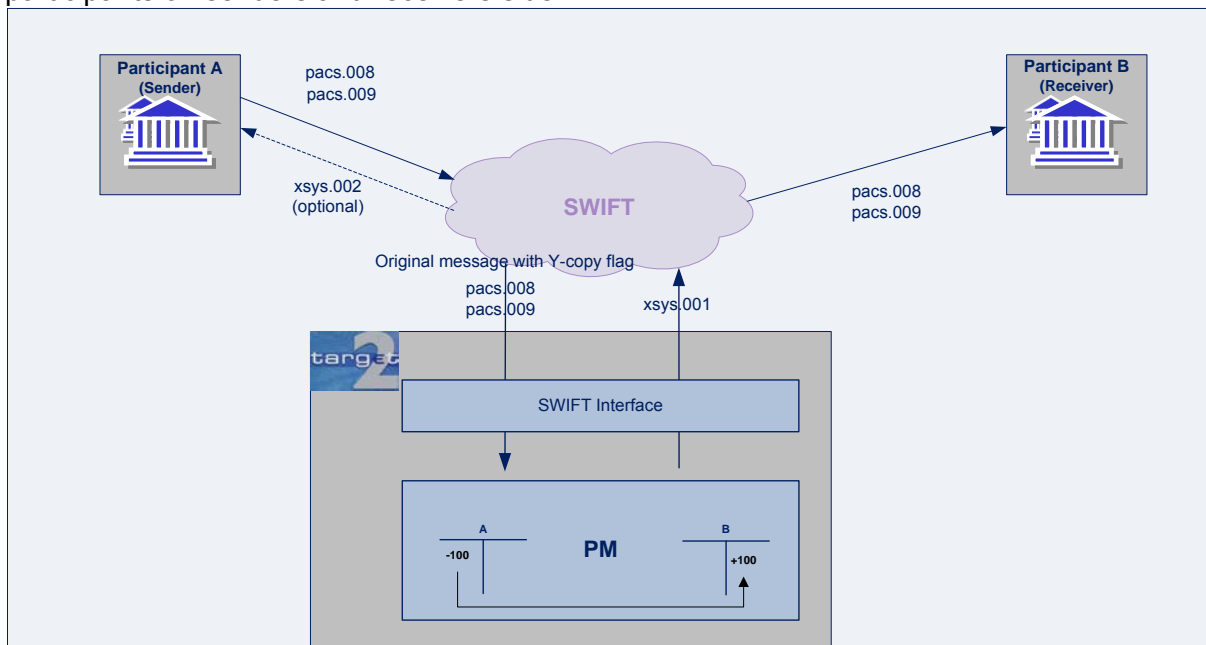
This chapter aims to provide an overview over current payment flows with the MT equivalent ISO 2022 MX messages in TARGET2 payment module (PM). Following the “like-for-like” approach the SWIFTNet Copy service will be applied on pacs messages, i.e. the original message will be stored by SWIFT and a copy of the original payment will be delivered to TARGET2. The booking in TARGET2 is still based on entry of message copy received from SWIFT. After booking and confirmation from TARGET2 the original message will be forwarded by SWIFT to the receiver of the payment.

The accounts to be debited and credited are identified by the respective fields in the SWIFT header (sender/requestor and receiver/responder) of the payment message.

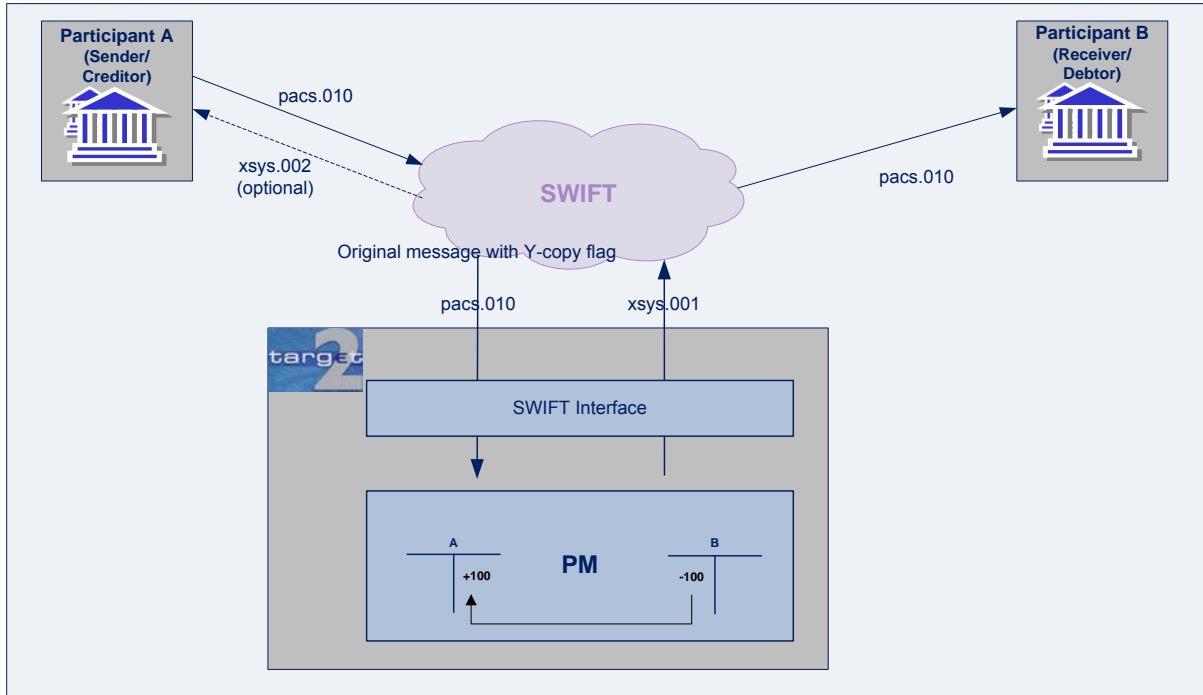
Due to the fact that the payment flows between sending and receiving participant type can be mirrored the following flow descriptions will be limited to only one direction of the flow, e.g. for the business case “Payment message from a direct PM participant to an indirect PM participant” the opposite direction “from an indirect participant to a direct participant” is not illustrated.

5.1.1.4.1 Flow of Messages between SWIFT-based participants in general

The following diagram illustrates the message flow in general for the payment interface of the PM for the pacs.008 and pacs.009 - using the SWIFTNet Copy service and SWIFT-based participants on senders and receivers side:



The following diagram illustrates the message flow in general for the payment interface of the PM for the direct debit message pacs.010 - using the SWIFTNet Copy service and SWIFT-based participants on senders and receivers side:

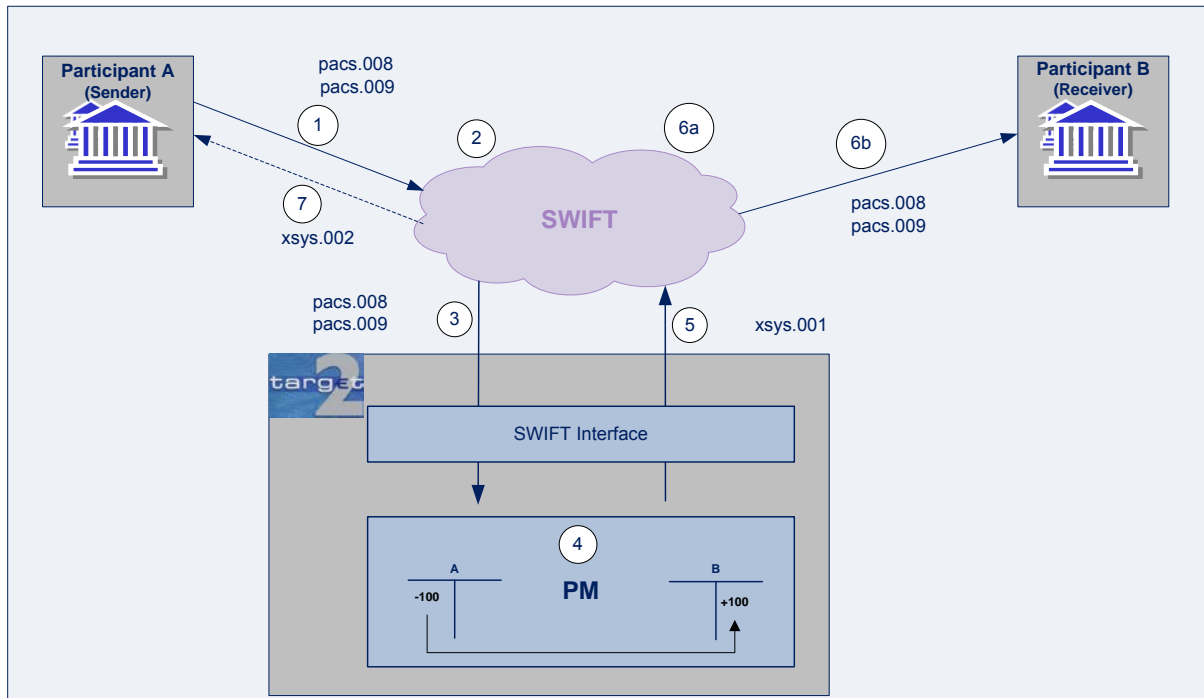


Note: In general the usage of pacs.010 requires an agreement between the sender (creditor) and the receiver (debtor) of the payment message. As the migration from MT to MX is a technical migration a renewal of agreements is not required.

5.1.1.4.2 Payment message from a direct PM participant to another direct PM participant

Diagram describing the payment flow of pacs.008 and pacs.009

The following diagram depicts the processing of a XML payment message from a direct PM participant (A) in favour of another direct PM participant (B):



Steps of payment flow

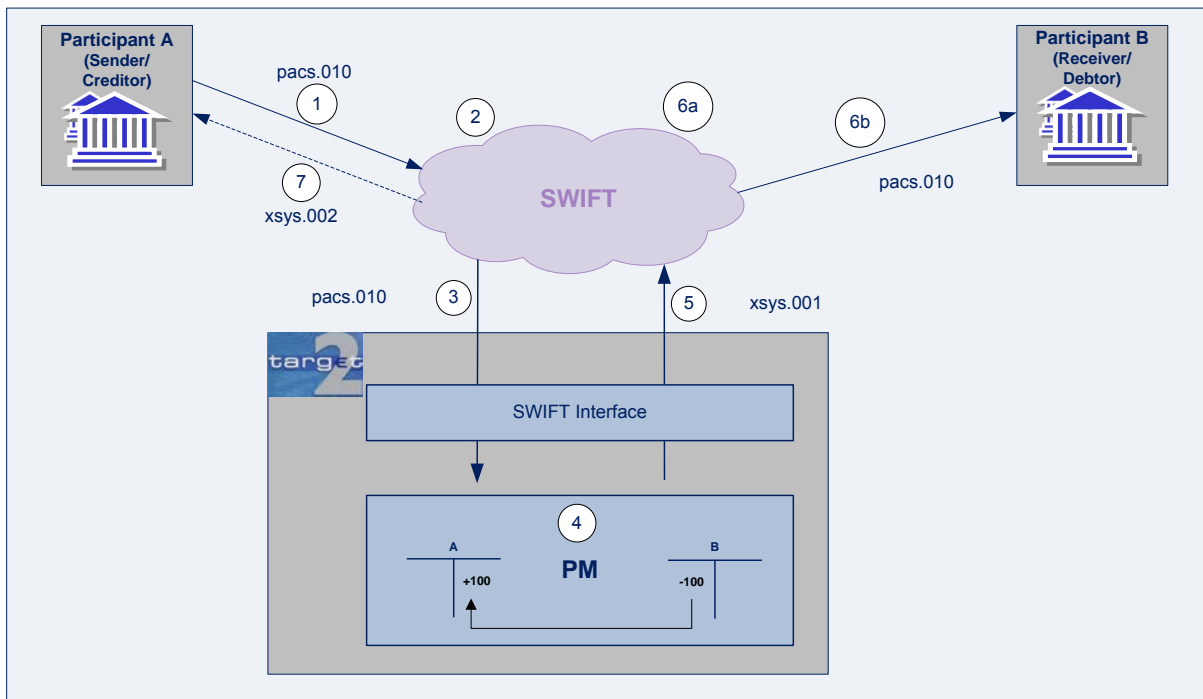
The following table describes the processing of a XML payment message from the direct PM participant (A) in favour of another direct PM participant (B):

Step	Description
1	The direct PM participant A (sender) generates a XML payment message in favour of the direct PM participant B (receiver) and addresses B in the header of the XML payment message.
2	The payment is temporarily stored by SWIFT.
3	The XML payment message is complemented with a Y-copy flag by SWIFT and forwarded to the PM.
4	The XML payment message has to pass several validations (schema validation and application oriented entry checks) before a payment is created. The payment has to pass further validations, e.g. availability of sufficient cover, before it is debited on the RTGS account of A and simultaneously credited on the RTGS account of B.
5	A Y-Copy Authorisation message (xsys.001) is generated in the PM and forwarded to SWIFT.
6a	When authorised, the message is made available for delivery to the ultimate receiver.

Step	Description
6b	The XML payment message is forwarded to B.
7	Optional: A can receive an xsys.002 - Y-Copy Authorisation Notification.

Slide describing the payment flow pacs.010

The following diagram depicts the processing of a XML direct debit payment message from a direct PM participant to another direct PM participant:



Steps of payment flow

The following table describes the processing of a XML direct debit payment message from the direct PM participant (A) in favour of another direct PM participant (B):

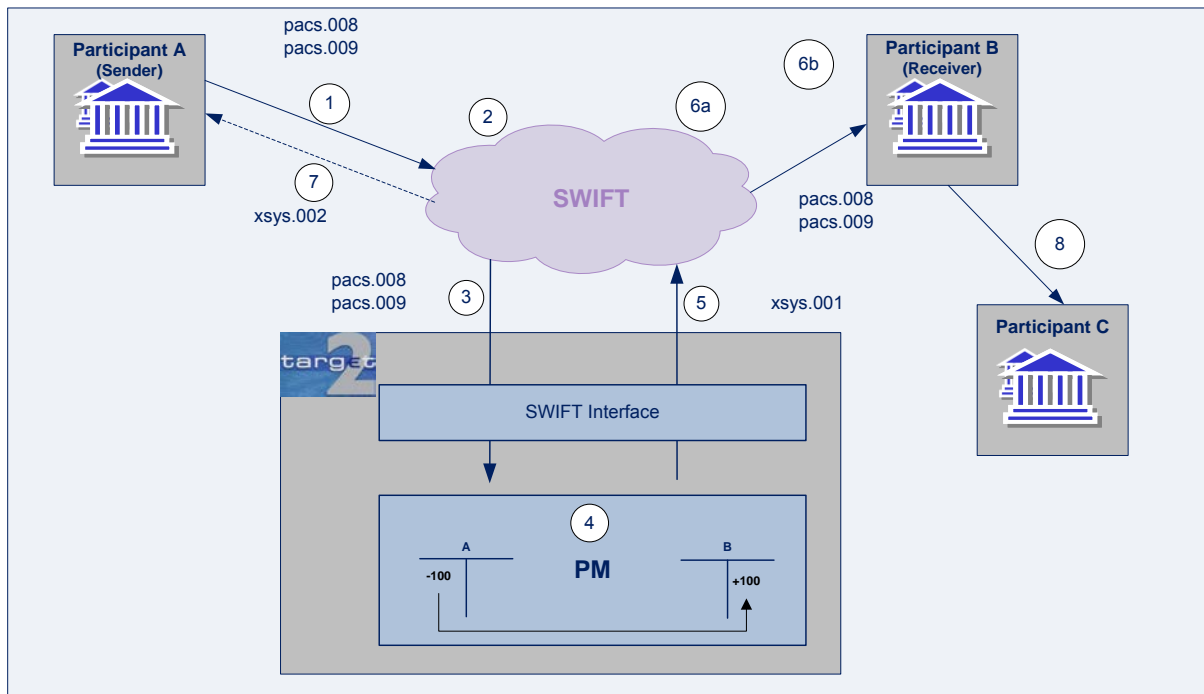
Step	Description
1	The direct PM participant A (sender) generates a XML direct debit payment message to the direct PM participant B (receiver) and addresses B in the header of the XML payment message.
2	The payment is temporarily stored by SWIFT.
3	The XML direct debit payment message is complemented by a Y-copy flag by SWIFT and forwarded to the PM.

Step	Description
4	The XML payment message has to pass several validations (schema validation and application oriented entry checks) before a payment is created. The payment has to pass further validations , e.g. availability of sufficient cover, before it is debited on the RTGS account of B and simultaneously credited on the RTGS account of A.
5	A Y-Copy Authorisation message (xsys.001) is generated in the PM and forwarded to SWIFT.
6a	When authorised, the message is made available for delivery to the ultimate receiver.
6b	The XML payment message is forwarded to B.
7	Optional: A can receive an xsys.002 - Y-Copy Authorisation Notification.

5.1.1.4.3 Payment message from a direct PM participant to an indirect PM participant

Diagram describing the payment flow of pacs.008 and pacs.009

The following diagram depicts the processing of a payment from the direct PM participant (A) in favour of an indirect PM participant (C):



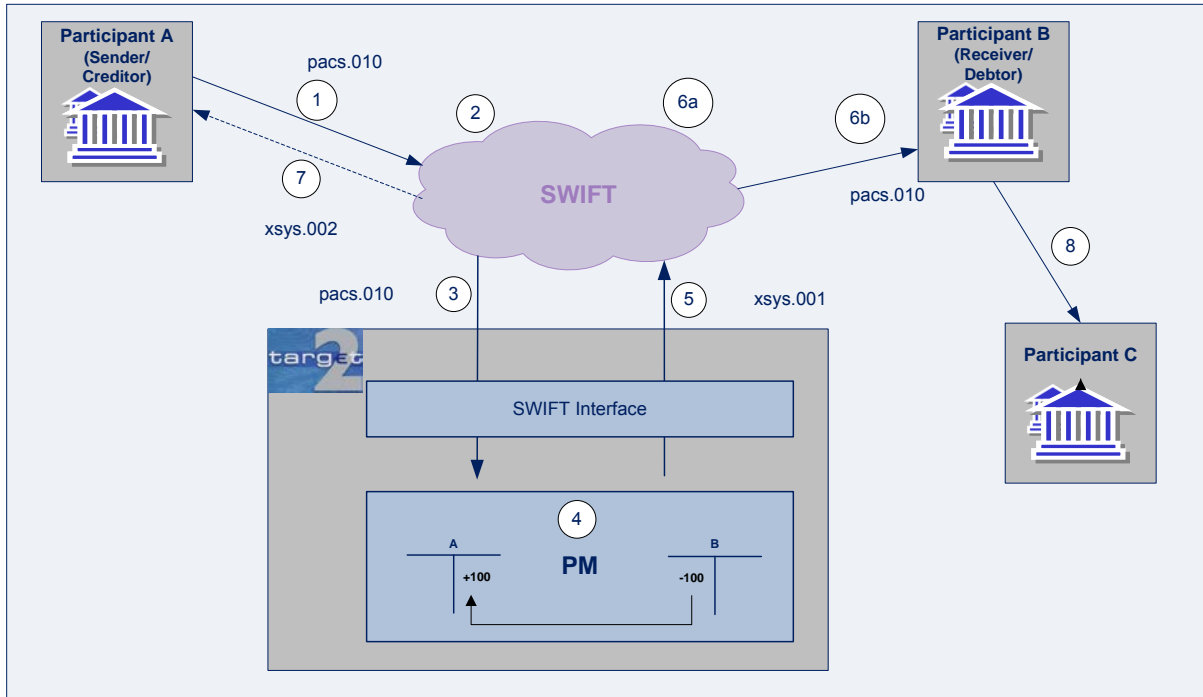
Steps of payment flow

The following table describes the processing of a XML payment message from the direct PM participant (A) in favour of an indirect PM participant (C):

Step	Description
1	The direct PM participant A (sender) generates a XML payment message in favour of the indirect PM participant C and addresses B (receiver) in the header of the XML payment message.
2	The payment is temporarily stored by SWIFT.
3	The XML payment message is complemented by a Y-copy flag by SWIFT and forwarded to the PM.
4	The XML payment message has to pass several validations (schema validation and application oriented entry checks) before a payment is created. The payment has to pass further validations , e.g. availability of sufficient cover, before it is debited on the RTGS account of A and simultaneously credited on the RTGS account of B.
5	A *Y-Copy Authorisation message (xsys.001) is generated in the PM and forwarded to SWIFT.
6a	When authorised, the message is made available for delivery to the ultimate receiver.
6b	The XML payment message is forwarded to the related direct PM participant B of the indirect PM participant C.
7	Optional: A can receive an xsys.002 - Y-Copy Authorisation Notification.
8	The direct PM participant B forwards the payment to the indirect PM participant C internally.

Diagram describing the payment flow of pacs.010

The following diagram depicts the processing of a XML direct debit payment message from a direct PM participant (A) debiting an indirect PM participant (C):



Steps of payment flow

The following table describes the processing of a XML direct debit payment message from the direct PM participant (A) debiting an indirect PM participant (C):

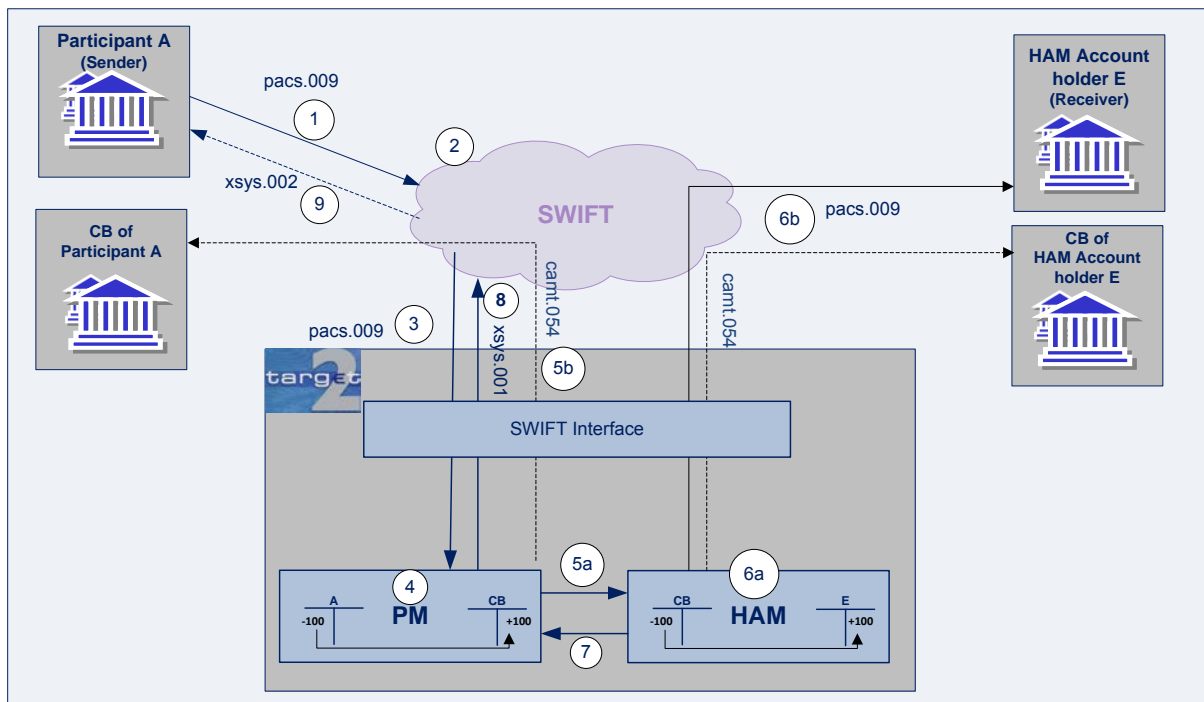
Step	Description
1	The direct PM participant A (sender) generates and addresses a XML direct debit payment message to the direct PM participant B (receiver) of the indirect PM participant C.
2	The payment is temporarily stored by SWIFT.
3	The XML direct debit payment message is complemented by a Y-copy flag by SWIFT and forwarded to the PM.
4	The XML payment message has to pass several validations (schema validation and application oriented entry checks) before a payment is created. The payment has to pass further validations , e.g. availability of sufficient cover, before it is debited on the RTGS account of B and simultaneously credited on the RTGS account of A.
5	A Y-Copy Authorisation (xsys.001) is generated in the PM and forwarded to SWIFT.
6a	When authorised, the message is made available for delivery to the ultimate receiver.

Step	Description
6b	The XML payment message is forwarded to B.
7	Optional: A can receive an xsys.002 - Y-Copy Authorisation message Notification.
8	The direct PM participant B forwards the payment to the indirect PM participant C internally.

5.1.1.4.4 Payment message from a direct PM participant to a HAM account holder

Diagram describing the payment flow of pacs.009

The following diagram depicts the processing of a payment from the direct PM participant (A) in favour of the HAM account holder (E):



Steps of payment flow

The following table describes the processing of a payment from the direct PM participant (A) in favour of the HAM account holder (E):

Step	Description
1	The direct PM participant A (sender) generates an interbank transfer (pacs.009) in favour of the HAM account holder E.
2	The payment is temporarily stored by SWIFT.



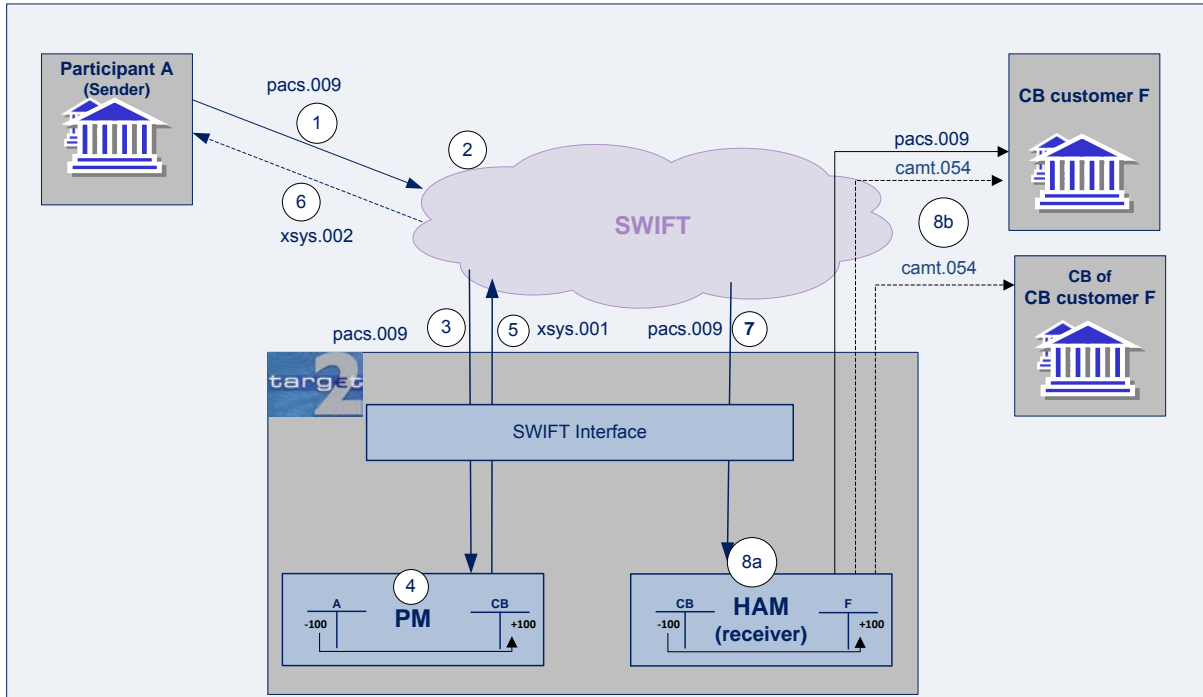
**General Functional Specification of the
MX / ISO 20022 migration**

Step	Description
3	The XML payment message is complemented by a Y-copy flag by SWIFT and forwarded to the PM.
4	The XML payment message has to pass several validations (schema validation and application oriented entry checks) before a payment is created. The payment has to pass further validations , e.g. availability of sufficient cover, before it is debited on the RTGS account of A and simultaneously credited on the RTGS account of the CB of HAM account holder E.
5a	PM sends an internal message to HAM.
5b	Optional: PM sends a credit notification (camt.054 <u>credit</u>) to the CB.
6a	HAM debits the account of the CB and credits the account of HAM account holder E.
6b	HAM account holder E will receive a pacs.009 and an optional credit notification (camt.054 credit). Optional: the CB receives a debit notification (camt.054 debit).
7	HAM sends a notification to PM.
8	A Y-Copy Authorisation message (xsys.001) is generated in the PM and forwarded to SWIFT.
9	Optional: A can receive an xsys.002 - Y-Copy Authorisation Notification.

5.1.1.4.5 Payment message from a direct PM participant to CB customer with an account in HAM

Diagram describing the payment flow of pacs.009

The following diagram depicts the processing of a payment from the direct PM participant (A) in favour of the CB customer (F) (with an account in HAM):



Steps of payment flow

The following table describes the processing of a payment from the direct PM participant (A) in favour of the CB customer (F) (with an account in HAM):

Step	Description
1	The direct PM participant (A) (sender) generates a payment in favour of the CB customer (F). The payment is temporarily stored by SWIFT.
2	The payment is temporarily stored by SWIFT.
3	The XML direct debit payment message is complemented by a Y-copy flag by SWIFT and forwarded to the PM.
4	The payment message has to pass several validations (schema validations and application oriented entry checks) before a payment is created. The payment has to pass further validations , e.g. availability of sufficient cover, before it is debited on the RTGS account of the direct PM participant (A) and simultaneously credited on the RTGS account of CB of CB customer (F).
5	A Y-Copy Authorisation message (xsys.001) is generated in the PM and forwarded to SWIFT.
6	Optional: A can receive an xsys.002 - Y-Copy Authorisation Notification.
7	SWIFT sends the stored original payment message to HAM.
8a	HAM debits the account of the CB of the CB customer (F) and credits the account of the CB customer (F).
8b	HAM sends the payments message to CB customer (F). Optional: HAM sends a credit notification (camt.054 credit) to CB customer (F). HAM sends a debit notification (cam.054 debit) to the CB.

5.1.1.5 Rejection of payment messages

Overview

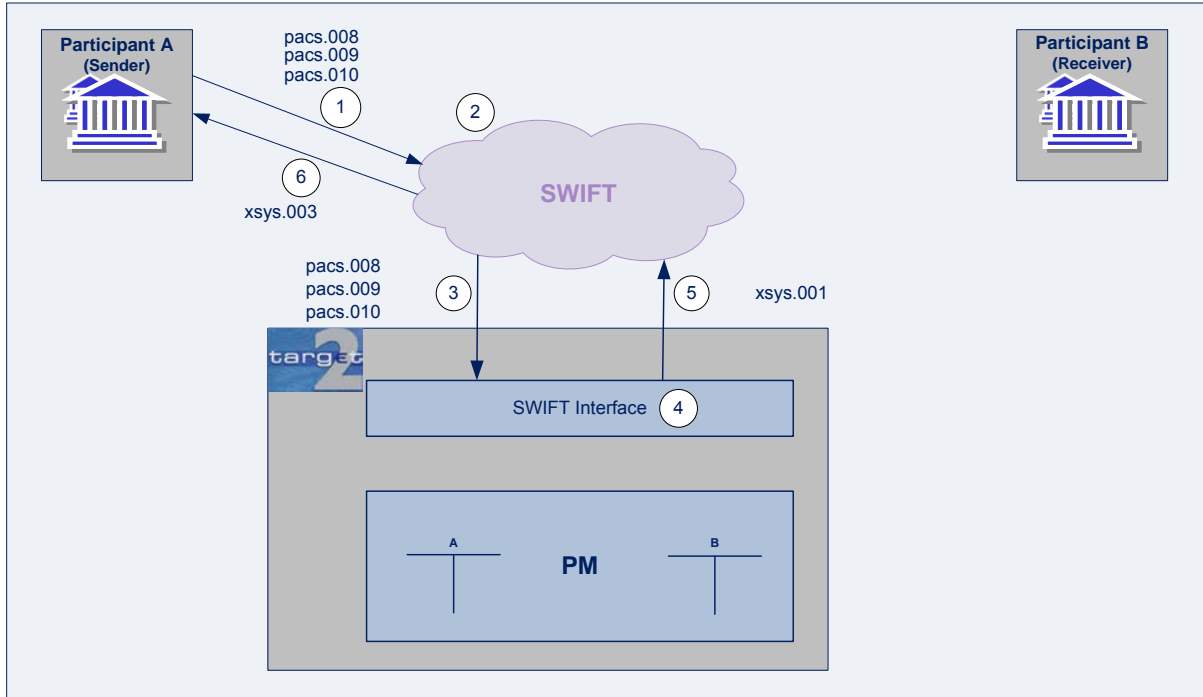
The rejection of a payment message is notified to the sender by an xsys.003 in case of a SWIFT-based participant as sender.

Processing via FIN MT 019	Processing via xsys.003- 001-01
In MT 019 the rejected payment can be positively identified by quoting the message input reference (MIR) and the optional message user reference (MUR) of the original payment.	In xsys.003- 001-01 the rejected payment can be positively identified by the <SnFRef> of the message, which was refused by the third party (TARGET2).

Flow in case of processing payment with error:

Diagram describing the message flow of pacs.008, pacs.009 and pacs.010

The following diagram depicts the processing of a XML payment message from a direct PM participant (A) in favour of another direct PM participant (B) with a validation error:



Steps of payment flow

The following table describes the processing of a XML payment message from the direct PM participant (A) in favour of another direct PM participant (B) in case of validation error:

Step	Description
1	The direct PM participant A (sender) generates a XML payment message in favour of the direct PM participant B (receiver) and addresses B in the header of the XML payment message.
2	The payment message is temporarily stored by SWIFT.
3	The XML payment message is complemented by a Y-copy flag by SWIFT and forwarded to the PM.
4	The XML payment message has to pass several validations (schema validation and application oriented entry checks). No payment / booking entry is created if they fail. That means, the related information is available via ICM screen Select Message but not via Select Payment.
5	A Y-Copy Refusal (xsys.001) with <AuthstnSts> equal to refused is generated in the PM and forwarded to SWIFT.

Step	Description
6	<p>A Y-Copy Refusal Notification (xsys.003) is generated by SWIFT and sent to the Initiator of the XML payment message (sender).</p> <p>It will contain the ThirdPartyRefusalReason, which provides further information about the refusal.</p>

5.1.1.6 Debit and Credit Notifications

For specific business cases PI provides cash flow management messages as debit or credit notifications for the account holder of the debited/credited PM account. These PI business cases are:

Business group	Case	Business case	PI sends an optional debit notification (camt.054 <u>debit</u>) to	PI sends an optional credit notification (camt.054 <u>credit</u>) to
Liquidity transfer		From HAM to PM	-	PM account holder
		From PHA to PM	-	PM account holder
		From PM to HAM	PM account holder (not in case of initiation via pacs.009)	-
		From PM to PHA	PM account holder (not in case of initiation via pacs.009)	-
		From PM to PHA (neg. balance removal at EoD)	-	PM account holder
		Within PM (between 2 direct participants, e.g. GoA)	PM account holder (account to be debited) (not in case of initiation via pacs.009)	PM account holder (account to be credited)
Regular Payment (Interbank Transfer)		From PM to HAM	PM account holder (not in case of initiation via pacs.009)	-
Backup payment		ICM order	PM account holder (account to be debited)	-
Balances stemming from Contingency Module		Automatic settlement of balances after the restart of PM	-	PM account holder (account to be credited)
Credit line changes		via ICM U2A or A2A order by CB	PM account holder (in case of credit line decrease)	PM account holder (in case of credit line increase)
		via connected payment (pacs.009/010) sent by CB	PM account holder (in case of pacs.010)	PM account holder (in case of pacs.009)



Business group	Case	Business case	PI sends an optional debit notification (camt.054 <u>debit</u>) to	PI sends an optional credit notification (camt.054 <u>credit</u>) to
Mandated payment		pac.008/009 sent by CB	PM account holder (account to be debited)	-

With the MX migration the MT 900/MT 910 notification will not be provided anymore. All current provided SWIFT FIN credit or debit notifications will be migrated to MX (i.e. camt.054).

5.1.2 ASI

5.1.2.1 Payment Types – General Overview

The Ancillary System Interface relies mainly on XML proprietary messages. However it also uses currently MT standard messages for liquidity transfer notifications which are going to be replaced by their ISO 20022 equivalent as follows.

The following table shows the possible SWIFTNet message types processed by the ASI:

Message Identifier	Type/	Acceptance	Description	MT equivalent
pac.009- 001.03		Mandatory	Bank-to-bank payment	MT 202
camt.054- 001.03		Optional	Confirmation of debit or credit	MT 900/910
MT 940/950		Optional	(Customer) Statement message	MT 940/950

5.1.2.2 Liquidity Transfers

5.1.2.2.1 Settlement procedure 1: Liquidity transfer³

Liquidity transfer from mirror account to settlement bank RTGS account.

Notification of the transfer is sent by pac.009.

Item	<u>pac.009</u>	<u>Mapping to MT 202</u>
Payment Initiation	ASI	
Priority of payment	highly urgent	
Message type	pac.009 via SWIFTNet (no Y-copy)	

³ Migration of MT in ASI settlement procedure 1 is subject to be confirmed whether this procedure is still used in 2017.



**General Functional Specification of the
MX / ISO 20022 migration**

<u>Item</u>	<u>pacs.009</u>	<u>Mapping to MT 202</u>
Sender of this message	cn=interact,ou=asi,o=trgtxepm,o=swift (ASI DN)DN of the ASI	TRGTXEPMAS! (ASI BIC)BIC of the ASI
Receiver of this message	DN of the participant computed from BIC	BIC of Receiver
Fields	<ul style="list-style-type: none"> InstrId: TRN assigned by PM 	F20 Transaction Reference Number
	<ul style="list-style-type: none"> EndToEndId: End-to-end identification (same content as InstrId) 	F21 Related Reference
	<ul style="list-style-type: none"> SttlmTmReq: Settlement Time Request for integrated procedure 1 only /REJTIME/hhmm+iinn /FROTIME/hhmm+iinn 	F13C Time Indication
	<ul style="list-style-type: none"> IntrBkSttlmAmt: Amount 	F32A Amount
	<ul style="list-style-type: none"> IntrBkSttlmDt: Date 	F32A Date
	<ul style="list-style-type: none"> Dbtr, DbtrAcct: Debtor BIC + RTGS acc nb 	F52A Ordering Institution
	<ul style="list-style-type: none"> Cdtr, CdtrAcct: Creditor BIC + RTGS acc nb 	F58A Beneficiary Institution
	<ul style="list-style-type: none"> InstrInf: Instruction Information /INS/(BIC of the mirror account) 	F72 Sender to Receiver Information

The table below provides the rules for a liquidity transfer from settlement bank RTGS account to mirror account:

<u>Item</u>	<u>pacs.009</u>	<u>Mapping to MT 202</u>
Payment Initiation	Settlement Bank	
Priority of payment	highly urgent	
ISO message type	pacs.009 via SWIFTNet (no Y-copy)	
Sender of this message	DN of the participant computed from BIC	BIC of the participant
Receiver of this message	cn=interact,ou=asi,o=trgtxepm,o=swift (ASI DN)DN of the ASI	TRGTXEPMAS! (ASI BIC)BIC of the ASI

<u>Item</u>	<u>pacs.009</u>	<u>Mapping to MT 202</u>
Fields	<ul style="list-style-type: none"> InstrId: TRN assigned by PM 	F20 Transaction Reference Number
	<ul style="list-style-type: none"> EndToEndId: End-to-end identification (same content as InstrId) 	F21 Related Reference
	<ul style="list-style-type: none"> SttlmTmReq: Settlement Time Request for integrated procedure 1 only /REJTIME/hhmm+iinn (ii and nn are the hours and minutes of UTC shift whereas the „hhmm“ are to be filled with the local time of the user.) /FROTIME/hhmm+iinn	F13C Time Indication
	<ul style="list-style-type: none"> IntrBkSttlmAmt: Amount 	F32A Amount
	<ul style="list-style-type: none"> IntrBkSttlmDt: Date 	F32A Date
	<ul style="list-style-type: none"> Dbtr, DbtrAcct: Debtor BIC + RTGS acc nb of the participant 	F52A Ordering Institution
	<ul style="list-style-type: none"> CdtrAgt: Creditor Agent BIC of the mirror account 	F57A Account With Institution
	<ul style="list-style-type: none"> Cdtr, CdtrAcct: Creditor BIC + RTGS acc nb or Name of Final beneficiary to be credited 	F58A Beneficiary Institution
	<ul style="list-style-type: none"> InstrInf: Instruction Information /ASINF/ Remittance Information 	F72 Sender to Receiver Information

The table below provides the rules for a liquidity transfer from settlement bank RTGS account to mirror account sent by the responsible CB of the settlement bank as mandated payment:

<u>Item</u>	<u>pacs.009</u>	<u>Mapping to MT 202</u>
Payment Initiation	CB	
Priority of payment	highly urgent	
ISO message type	pacs.009 via SWIFTNet (no Y-copy)	
Sender of this message	DN of the CB computed from BIC	BIC of the CB



**General Functional Specification of the
MX / ISO 20022 migration**

<u>Item</u>	<u>pacs.009</u>	<u>Mapping to MT 202</u>
Receiver of this message	<u>cn=interact,ou=asi,o=trgtxepm,o=swift</u> <u>(ASI DN)DN of the ASI</u>	<u>TRGTXEPMAS!</u> <u>(ASI BIC)BIC of the ASI</u>
Fields	<ul style="list-style-type: none"> InstrId: TRN assigned by PM 	F20 Transaction Reference Number
	<ul style="list-style-type: none"> EndToEndId: End-to-end identification (same content as InstrId) 	F21 Related Reference
	<ul style="list-style-type: none"> SttlmTmReq: Settlement Time Request for integrated procedure 1 only /REJTIME/hhmm+iinn /FROTIME/hhmm+iinn	F13C Time Indication
	<ul style="list-style-type: none"> IntrBkSttlmAmt: Amount 	F32A Amount
	<ul style="list-style-type: none"> IntrBkSttlmDt: Date 	F32A Date
	<ul style="list-style-type: none"> Dbtr: Debtor BIC of a settlement bank	F52A Ordering Institution
	<ul style="list-style-type: none"> CdtrAgt: Creditor Agent BIC of the mirror account	F57A Account With Institution
	<ul style="list-style-type: none"> Cdtr, CdtrAcct: Creditor BIC + RTGS acc nb or Name of Final beneficiary to be credited	F58A Beneficiary Institution
<ul style="list-style-type: none"> InstrInf: Instruction Information /MANPAY/ASINF/ Remittance Information	F72 Sender to Receiver Information	

5.1.2.2.2 Settlement procedure 6: Liquidity transfers⁴

Rules for a liquidity transfer from settlement bank RTGS account to mirror account (settlement procedure 6 integrated):

Same as procedure 1.

Rules for a liquidity transfer from settlement bank RTGS account to mirror account sent by the responsible CB of the settlement bank as mandated payment:

Same as procedure 1.

The table below provides the rules for a liquidity transfer from settlement bank RTGS account to sub-account (settlement procedure 6 interfaced):

<u>Item</u>	<u>pacs.009</u>	<u>Mapping to MT 202</u>
Payment Initiation	Settlement Bank	
Priority of payment	highly urgent	
ISO message type	pacs.009 via SWIFTNet (no Y-copy)	
Sender of this message	DN of the participant computed from BIC	BIC of the participant
Receiver of this message	cn=interact.ou=asi.o=trgtxepm.o=swift (ASI DN)DN of the ASI	TRGTXEPMAS! (ASI BIC)BIC of the ASI
Fields	<ul style="list-style-type: none"> InstrId: TRN assigned by PM 	F20 Transaction Reference Number
	<ul style="list-style-type: none"> EndToEndId: End-to-end identification (same content as InstrId) 	F21 Related Reference
	<ul style="list-style-type: none"> IntrBkSttlmAmt: Amount 	F32A Amount
	<ul style="list-style-type: none"> IntrBkSttlmDt: Date 	F32A Date
	<ul style="list-style-type: none"> Dbtr, DbtrAcct: Debtor BIC + RTGS acc nb of the participant 	F52A Ordering Institution
	<ul style="list-style-type: none"> Cdtr, CdtrAcct: Creditor BIC + Sub acc nb of the participant 	F58A Beneficiary Institution
	<ul style="list-style-type: none"> InstrInf: Instruction Information /ASINF/ Remittance Information 	F72 Sender to Receiver Information

⁴ Migration of MT in ASI settlement procedure 6 (integrated) is subject to be confirmed whether this procedure is still used in 2017.



**General Functional Specification of the
MX / ISO 20022 migration**

The table below provides the rules for a liquidity transfer from settlement bank RTGS account to sub-account (settlement procedure 6 interfaced) sent by the responsible CB of the settlement bank as mandated payment:

<u>Item</u>	<u>pacs.009</u>	<u>Mapping to MT 202</u>
Payment Initiation	CB	
Priority of payment	highly urgent	
ISO message type	pacs.009 via SWIFTNet (no Y-copy)	
Sender of this message	DN of the CB computed from BIC	BIC of the CB
Receiver of this message	<u>cn=interact,ou=asi,o=trgtxepm,o=swift</u> <u>(ASI DN)DN of the ASI</u>	<u>TRGTXEPMAS!</u> <u>(ASI BIC)BIC of the ASI</u>
Fields	<ul style="list-style-type: none"> InstrId: TRN assigned by PM 	F20 Transaction Reference Number
	<ul style="list-style-type: none"> EndToEndId: End-to-end identification (same content as InstrId) 	F21 Transaction Reference Number
	<ul style="list-style-type: none"> IntrBkSttlmAmt: Amount 	F32A Amount
	<ul style="list-style-type: none"> IntrBkSttlmDt: Date 	F32A Date
	<ul style="list-style-type: none"> Dbtr: Debtor BIC of a settlement bank 	F52A Ordering Institution
	<ul style="list-style-type: none"> Cdtr: Creditor BIC + Sub acc nb of the settlement bank 	F58A Beneficiary Institution
	<ul style="list-style-type: none"> InstrInf: Instruction Information /MANPAY/ASINF/ Remittance Information 	F72 Sender to Receiver Information

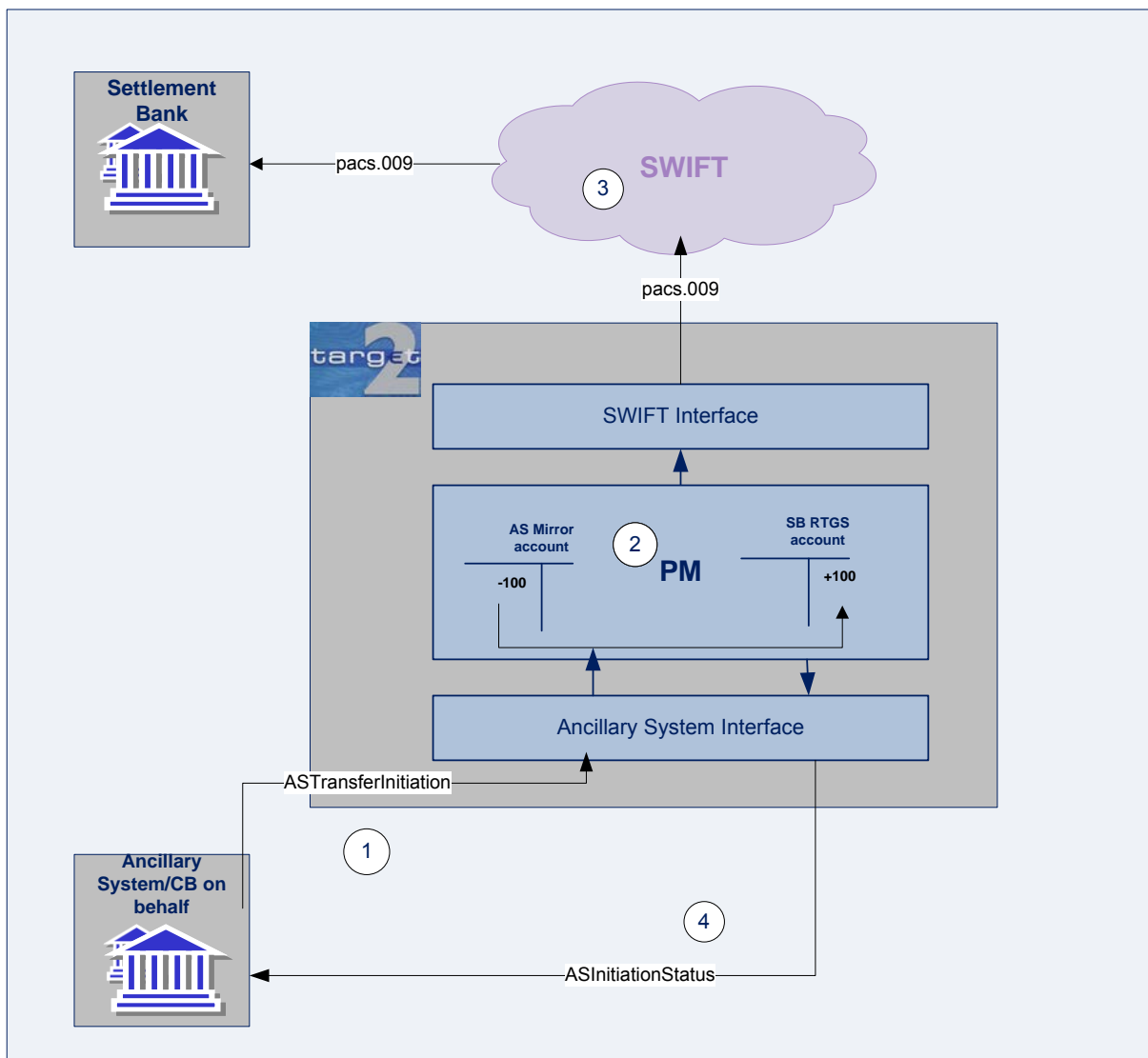
5.1.2.3 Flow of payments

5.1.2.3.1 Settlement procedure 1: Liquidity transfer

Liquidity transfer from mirror account to settlement banks RTGS account:

In that procedure liquidity transfers from mirror account to settlement bank RTGS account can be performed by the AS or its responsible CB using the ASI message ASTransferInitiation. The settlement bank is notified of the transfer by pacs.009.

The following diagram depicts the processing of a XML payment message from mirror account to settlement bank RTGS account:



Steps of payment flow

The following table describes the processing of a XML payment message from mirror account to settlement bank RTGS account:

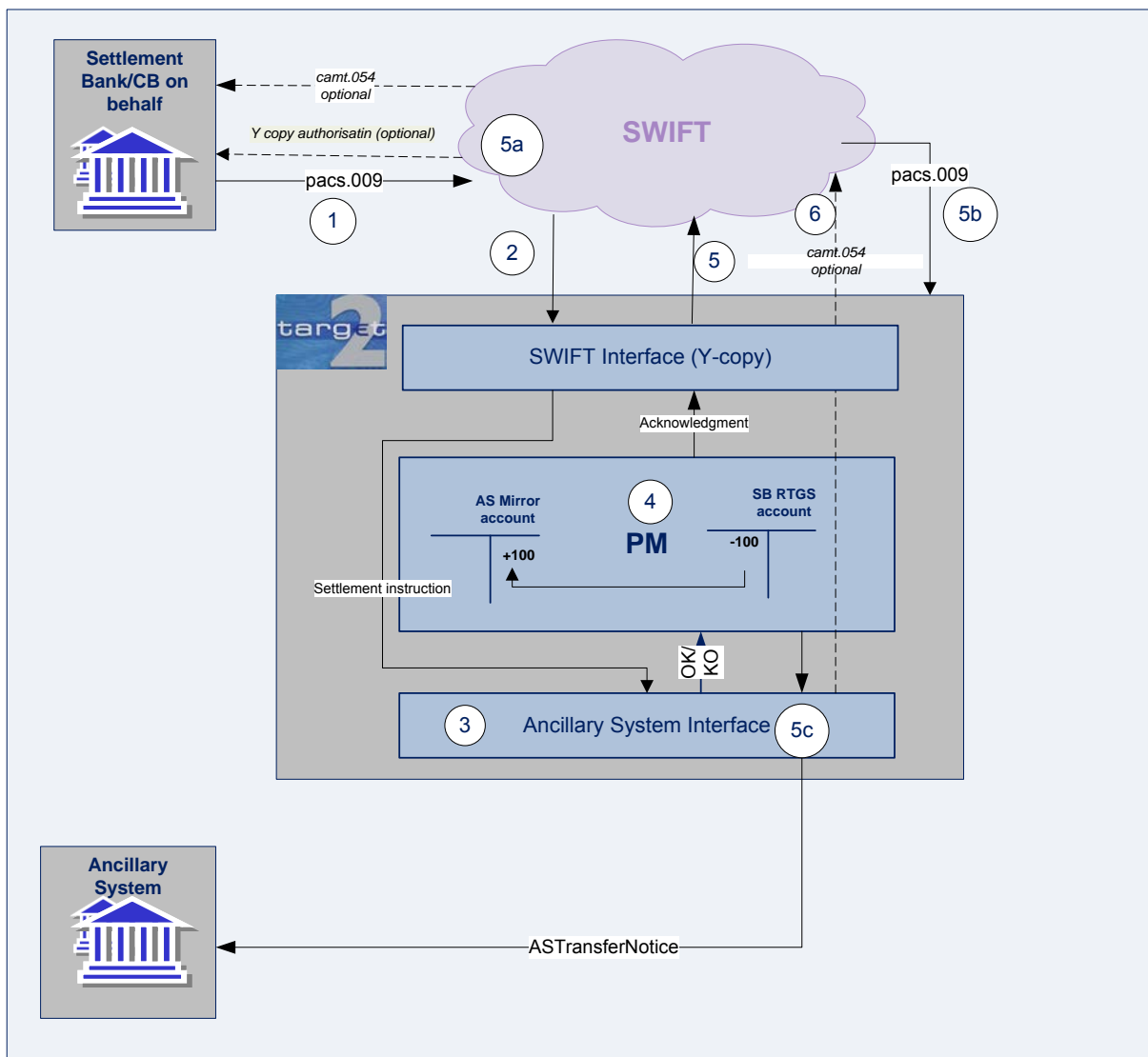
Step	Description
1	The AS (or its responsible CB on its behalf) sends an ATransferInitiation XML message to ASI to debit the mirror account and credit a Settlement Bank account.
2	Ancillary System Interface forwards the liquidity transfer to PM after validation (out of scope of this chapter) and the settlement process takes place: <ul style="list-style-type: none"> • debit of mirror account • credit of RTGS settlement bank account.
3	In case of successful settlement, the settlement bank is notified of the credit via a pacs.009 XML message (not applicable for Internet-based settlement banks). The message is sent by the PM. Note: The negative case is out of scope of this document as in that case step 3 MX migration brings no change on ASI.
4	The AS (or its CB if it initiated the liquidity transfer) receives the positive ASInitiationStatus message.

Liquidity transfer from settlement bank RTGS account to mirror account (settlement procedure 6 integrated)

In that procedure liquidity transfers from settlement bank RTGS account to AS mirror account can be performed by the settlement bank or its responsible CB using the standard PM credit transfer pacs.009. The receiver DN of the payment is a dedicated DN identifying ASI.

In case the liquidity transfer is sent by the responsible CB of the settlement bank the credit transfer pacs.009 is a mandated payment.

The following diagram depicts the processing of a XML payment message from settlement bank RTGS account to mirror account:



Steps of payment flow

The following table describes the processing of a XML payment message from settlement bank RTGS account to mirror account:

Step	Description
1	The settlement bank (or its responsible CB on its behalf) sends pacs.009 (mandated if sent by CB) to the dedicated ASI DN through SWIFT in InterAct Y-copy mode.
2	The payment is complemented by a Y-copy flag by SWIFT and forwarded to PM Swift interface.
3	ASI validates the message and forwards the result to PM for processing of the payment if it is OK or for rejection of the payment in case of error.
4	The settlement process takes place: <ul style="list-style-type: none"> • debit of the settlement bank RTGS account • credit of the mirror account.
5	PM generates and forwards to Swift a Y-copy Authorisation or Refusal (xsys.001) according to the validation or settlement process outcome.
5a	On an optional basis the settlement bank or its CB in case of mandated payment is notified by an xsys.002 Y-copy Authorisation Notification.
5b	In case of successful settlement the message is delivered from PM to the ASI DN.
5c	In case of successful settlement the AS is notified with an ASTransferNotice.
6	In case of a payment sent by CB on behalf the settlement bank (mandated payment), a RTGS account debit notification (camt.054 <u>debit</u>) is sent to the settlement bank on an optional basis.

Note: steps 1, 2, 5, 5a and 5b are related to the standard credit transfer between two PM direct participants (chapter 5.1.1.4.3 Payment message from a direct PM participant to another direct PM participant).

5.1.2.3.2 Settlement procedure 6: Liquidity transfers

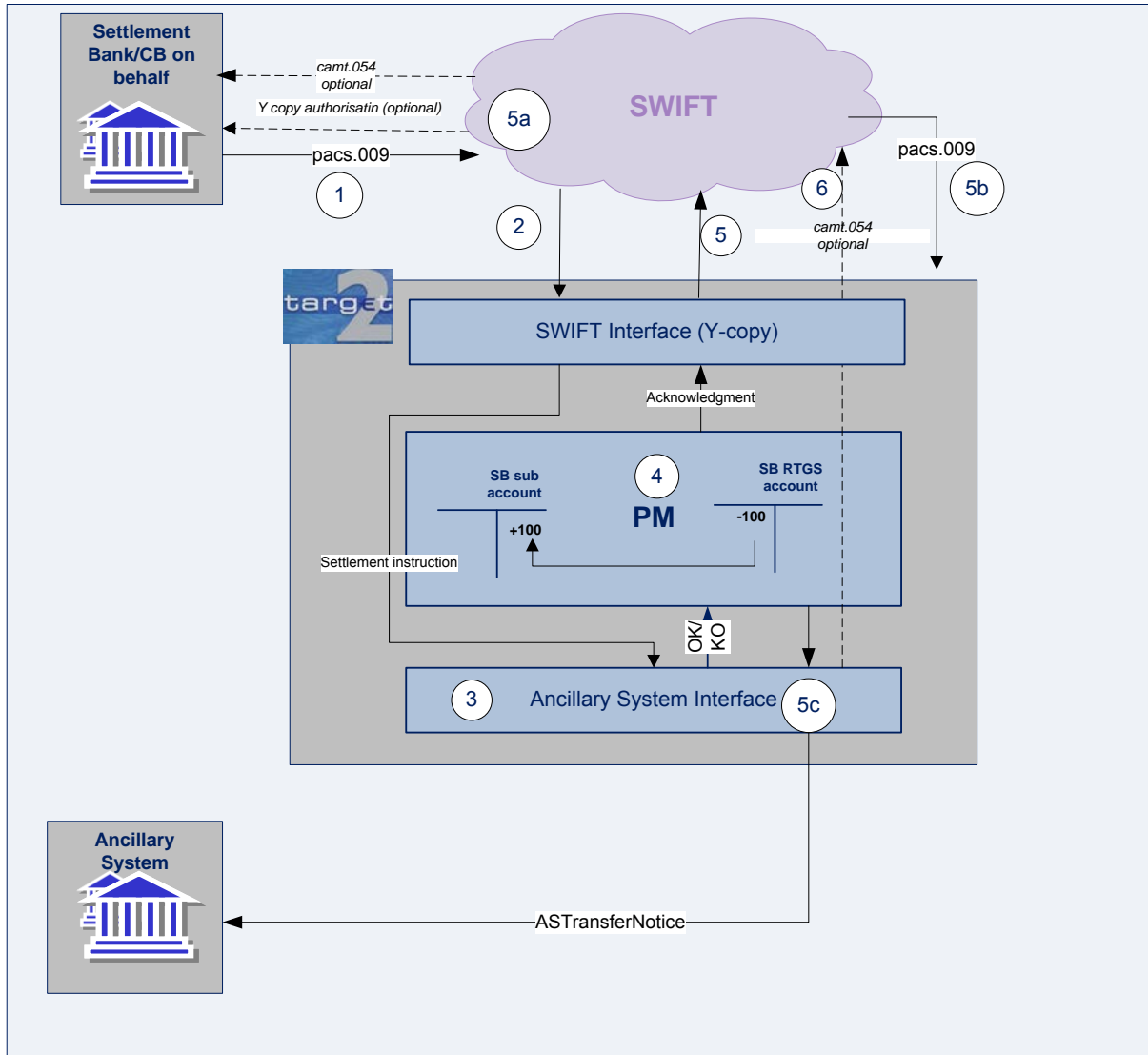
Liquidity transfer from settlement bank RTGS account to AS mirror account or sub account

In that procedure liquidity transfers from settlement bank RTGS account to AS mirror account or to a sub account of the settlement bank can be performed by the settlement bank or its responsible CB using the standard PM credit transfer pacs.009. This is possible only during daylight phase.

For the liquidity transfers to mirror accounts the workflow is exactly the same as for settlement procedure 1 (cf. chapter 5.1.2.3.1 Settlement procedure 1: Liquidity transfer)

For the liquidity transfers to sub accounts the workflow is also the same, except that the credited account is a sub account and that there is in addition - regardless if the liquidity transfer is initiated by settlement bank or CB on behalf - to the debit notification of the RTGS account, a credit notification for the settlement bank for the credit of the sub account. This is of course if the settlement bank has opted for notification.

The following diagram depicts the processing of a XML payment message from settlement bank RTGS account to sub account:



Steps of payment flow

The following table describes the processing of a XML payment message from settlement bank RTGS account to sub account

Step	Description
1	The settlement bank (or its responsible CB on its behalf) sends pacs.009 (mandated if sent by CB) to the dedicated ASI DN through SWIFT in SWIFTNet copy mode.
2	The payment is complemented by a Y-copy flag by SWIFT and forwarded to PM Swift interface.
3	ASI validates the message and forwards the result to PM for processing of the payment if it is OK or for rejection of the payment in case of error.



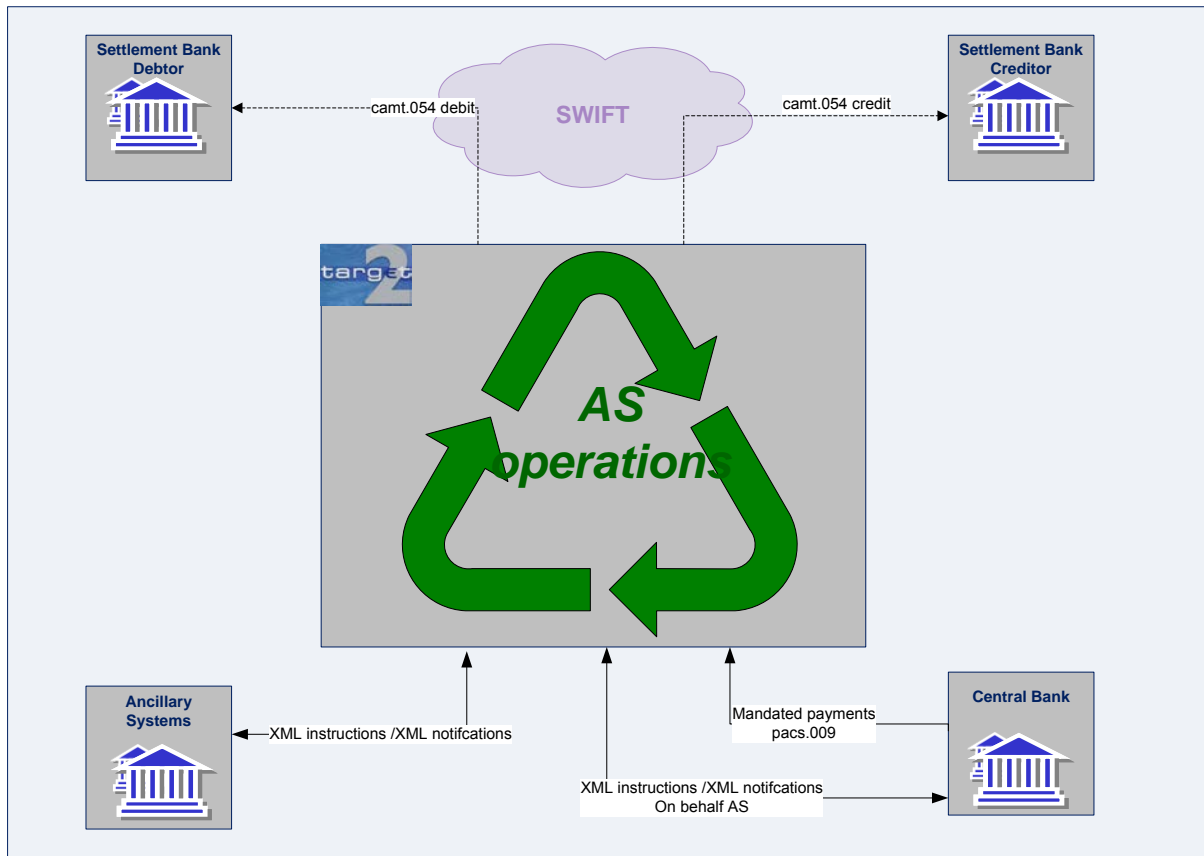
**General Functional Specification of the
MX / ISO 20022 migration**

4	<p>The settlement process takes place:</p> <ul style="list-style-type: none"> • debit of the settlement bank RTGS account • credit of the sub account
5	<p>PM generates and forwards to Swift a Y-copy Authorisation or Refusal (xsys.001) according to the validation or settlement process outcome.</p>
5a	<p>On an optional basis the settlement bank or its CB in case of mandated payment is notified by an xsys.002 Y-copy Authorisation Notification.</p>
5b	<p>In case of successful settlement the message is delivered from PM to the ASI DN.</p>
5c	<p>In case of successful settlement the AS is notified with an ASTransferNotice.</p>
6	<p>If the participant has opted for credit/debit notifications</p> <p>RTGS account credit notification (for the sub account) is sent to the settlement bank.</p> <p>In case of a payment sent by CB on behalf the settlement bank (mandated payment), a RTGS account debit notification (camt.054 <u>debit</u>) is sent to the settlement bank.</p>

5.1.2.3.3 All settlement procedures: debit and credit SWIFT notifications

SWIFT-based settlement banks can opt to be notified about credit and debit on their RTGS accounts or sub accounts (notification does not take place when the settlement bank initiates the payment via pacs.009).

The following diagram depicts these notifications sent for such debit and credit resulting from AS processing:



Both debit and credit notifications are made using the message camt.054.

In addition to the notification resulting from a mandated payment sent by CB on behalf a settlement bank as described above (chapter 5.1.2.2.1 Settlement procedure 1: Liquidity transfer) the cases for notifications are:

Debit notification on RTGS account:

- In the Real-time settlement (Procedure 2)
- In the Bilateral settlement (Procedure 3)
- In the Standard multilateral settlement (Procedure 4)
- In the Simultaneous multilateral settlement (Procedure 5)
- In the execution of the Standing orders (Procedure 6)
- In the execution of the Current orders for increase (Procedure 6)
- In the execution of Connected Payments options II a and b

Debit notification on sub accounts:

- In the execution of the Current orders for decrease (Procedure 6 Interfaced Models)
- In the execution of reverse Connected Payments options II a and b
- In the execution of settlement in procedure 6
- In the End of Procedure for the Back Transfer of liquidity
- Cross DVP Interfaced to Integrated or Interfaced to Interfaced

Credit notification on RTGS account:

- In the Real-time settlement (Procedure 2)
- In the Bilateral settlement (Procedure 3)
- In the Standard multilateral settlement (Procedure 4)
- In the Simultaneous multilateral settlement (Procedure 5)
- In the execution of the Current orders for decrease (Procedure 6 Interfaced Models)
- In the execution of reverse Connected Payments options II a and b
- In the automatic increase of blocked liquidity by specific transactions
- In the End of Procedure for the Back Transfer of liquidity.

Credit notification on sub account:

- In the execution of the Standing orders (Procedure 6)
- In the execution of the Current orders for increase (Procedure 6)
- In the execution of Connected Payments options II a, b and c
- In the automatic increase of blocked liquidity by specific transactions
- In the execution of settlement in procedure 6
- In the execution of pacs.009 received during daylight procedure to credit sub-accounts.
- Cross DVP from integrated to interfaced and from interfaced to interfaced

5.1.3 T2SI

5.1.3.1 Liquidity Transfers

The transfer of cash between TARGET2 and T2S is done via liquidity transfers.

Before the MX migration the following ways to initiate a liquidity transfer via T2SI are possible:

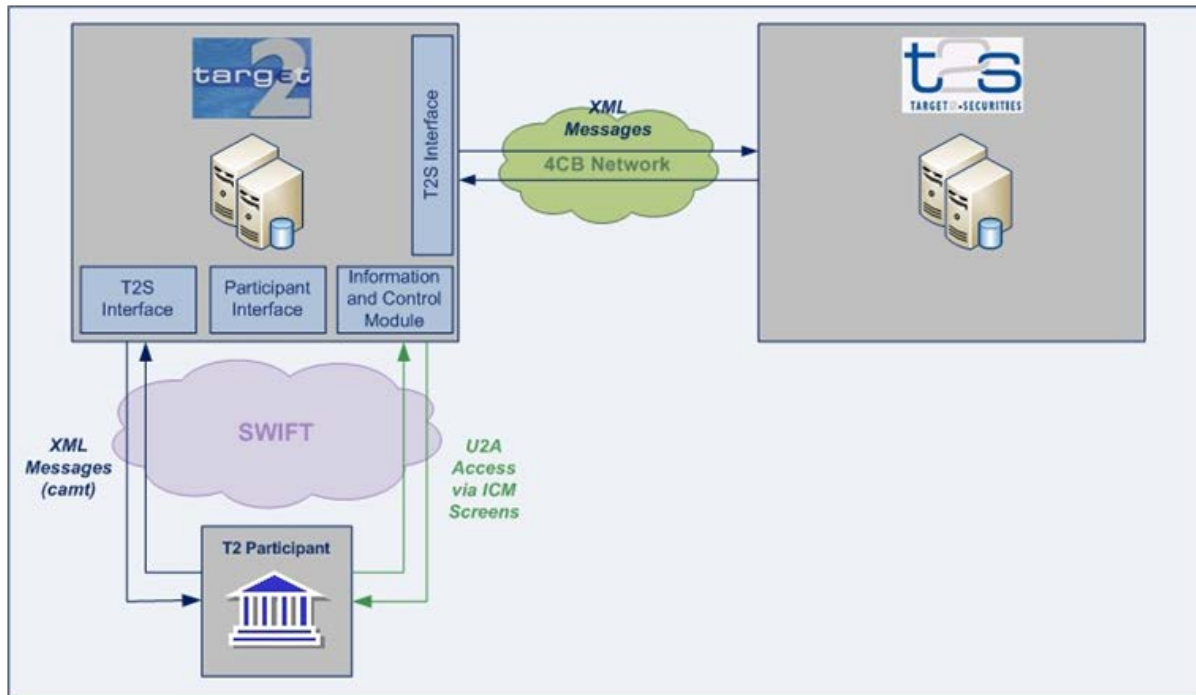
Push Liquidity to T2S:

- Standing order
- Current order via ICM U2A
- Current order camt.050 XML message via T2SI
- Current order MT 202 via T2SI (value added service)

Pull Liquidity from T2S (value added service):

- Current order via ICM U2A
- Current order camt.050 XML message via T2SI
- Current order MT 202 via T2SI

With the MX migration the value added service to initiate liquidity transfer towards T2SI via an MT 202 FIN message will be discarded. This FIN value added service will not be provided any longer.



Note: Concerning the usage of MX messages for the initiation of T2SI liquidity transfers there will just remain the possibility of using the camt.050 XML message (no pacs.009 will be provided).

For information about incoming liquidity transfers from T2S TARGET2 participants can choose actually between the following ways of notification (core services):

- camt.050 XML message
- MT 202 FIN message
- No notification

The possibility to be notified via an MT 202 FIN message will also be discarded. All participants which opted for MT 202 will be automatically migrated to receipt of MX camt.050. No additional request from participants is required.

~~All participants which have opted in their static data for this notification method will be automatically migrated to "no notification" and have to request for a manual change of their static data to camt.050 in case of need.~~

5.1.3.2 Debit Notifications

For specific business cases T2SI provides cash flow management messages as debit notifications for the account holder of the debited PM account. These T2SI business cases are:

- standing order liquidity transfers
- current order liquidity transfers initiated via ICM U2A
- current order liquidity transfer initiated by T2S actor in TARGET2
- current order liquidity transfer initiated by CB on behalf

For all those T2SI business cases TARGET2 already provides the optional debit notification as camt.054 XML message as well as MT 900 FIN message (see chapter 2.9 in UDFS book 1).

All participants which opted for MT 900 will be automatically migrated to receipt of MX camt.054 Debit. No additional request from participants is required.

The T2SI camt.054 debit notification message which is already provided in UDFS 7.02 (for all message details see chapter 6.12.1 BankToCustomer DebitCreditNotification in UDFS book 4) was designed before the start of the HVP analysis. Because of creation before start of HVP analysis this message was not developed considering the “like-for-like” approach. Thus the current T2SI camt.054 debit notification contains additional information compared with MT 900 and its HVP equivalent camt.054 debit notification respective provides different elements for transmission of the same information. To avoid the provision of different schemas for T2SI and remaining TARGET2 business and to meet the requirements of camt.054 debit notification elaborated during HVP analysis the T2SI camt.054 debit notification has to be aligned.

The following table provides an overview about all differing elements and additional information about their handling in context with ISO 20022-MX migration:

<u>Field in MT 900</u>	<u>TARGET2 Usage</u>	<u>Element in camt.054 debit HVP “like-for-like”</u>	<u>Element in camt.054 debit T2SI</u>	<u>Comments</u>
<u>F20: Transaction Reference Number</u>	<u>SSP Business Case ID</u>	<u>EntryReference</u>	<u>AccountServicerReference</u>	<u>Because of HVP analysis the element <EntryReference> must be added to camt.054. To avoid redundant information the element <AccountServicerReference> will be removed from T2SI camt.054.</u>
<u>F32A: Value Date</u>	<u>Current business day.</u>	<u>ValueDate</u>	<u>BookingDate</u>	<u>Because of HVP analysis the element <ValueDate> must be added to camt.054. To avoid redundant information the element <BookingDate> will be removed from T2SI camt.054.</u>
<u>Not available in MT 900</u>	<u>Unique and unambiguous identification of a payment transaction.</u>	<u>Not available in camt.054 debit HVP</u>	<u>EndToEndIdentification</u>	<u>Not part of HVP analysis, but as it does not contain redundant information it will still be provided in T2SI camt.054 debit</u>



	<u>as assigned by any of the parties on the initiating side, that will be passed on throughout the entire end-to-end chain</u>			<u>notification.</u>
<u>Not available in MT 900</u>	<u>SSP Booking ID</u>	<u>Not available in camt.054 debit HVP</u>	<u>AccountServicerTransactonID</u>	<u>Not part of HVP analysis, but as it does not contain redundant information it will still be provided in T2SI camt.054 debit notification.</u>
<u>Not available in MT 900</u>	<u>Used for partial execution in case of standing orders or current orders by T2S actors in T2 during overnight business.</u>	<u>Not available in camt.054 debit HVP</u>	<u>AmountDetails</u>	<u>Not part of HVP analysis, but as it does not contain redundant information it will still be provided in T2SI camt.054 debit notification.</u>

~~The existing facility whereby participants can opt for MT900 notification will be discontinued when the migration to MX takes place. Instead, all participants which have opted in their static data for this notification method will be automatically migrated to “no notification” and have to request for a manual change of their static data to MX (i.e. camt.054) in case of need.~~

5.2 SDM and TARGET2 Directory

Despite of the “like-for-like” approach and the fact that MX addressing is based on DN instead of BIC the requirement of the TARGET2 participants is to continue to use BIC at business level to address the messages.

To make this requirement compliant with the usage of DN a rule to “translate” the BICs used to address messages into DNs and vice versa in the addressing fields of the InterAct messages has to be established. Further details on the addressing issue can be found in chapter 6.1.1 SWIFTNet addressing.

Notably this rule will be used to translate the Addressee BIC of the TARGET2 directory into DNs and vice versa, but also, for example, the notification BIC defined in SDM for each HAM account.

With this approach the impact of MX migration on SDM is limited to re-labeling references to MT messages (as listed in chapter 5.3 ICM). There will be no impact on TARGET2 directory whose content and structure can be kept unchanged. However the translation rule will have to be implemented in TARGET2 as well as on each participant’s access to TARGET2 but only at technical level.

5.3 ICM

This chapter provides a list of all ICM screens which have to be adapted in the context of ISO 20022 migration in TARGET2. In ICM the “like-for-like” approach means to do a renaming of all MT related labelling and a revision of the display of message structure (similar to MX). The fields related to MT 940/950 are not affected by ISO 20022 migration in TARGET2 release 11 in 2017.

As the following chapter aims just to provide an overview about impacted screens. Details are provided with publication of ICM UHB.

5.3.1 RTGS screens

Affected screen	Adaption to be done
Select Criteria Payment	Replace Message Type, Criteria SWIFT Fields
Popup Swift Fields	Replace FIN MT fields by XML tag names
Popup Preferences	Replace FIN Fields BIC 52-BIC58 and Beneficiary customer 59 by Corresponding XML fields
Select Payment	Replace column MT
Popup Change Priority	Replace column MT
Popup Change Latest Debit Time	Replace column MT
Popup Change Earliest Debit Time	Replace column MT
Display Payment	Replace column MT
Select Message	Replace column MT Group, MT and Sub MT
Display Message	Replace column MT Group, MT and Sub MT, Display pacs messages
Enter Back up Payment CLS	Replace FIN MT fields by XML tag names
Enter Back up Payment Euro1	Replace FIN MT fields by XML tag names
Enter Back up Payment One Direct PM Participant	Replace FIN MT fields by XML tag names
Enter MT 103	New screen/replace FIN MT fields by XML tag names
Enter MT 103+	New screen/replace FIN MT fields by XML tag names
Enter MT 202	New screen/replace FIN MT fields by XML tag names
Enter MT 202 COV	New screen/replace FIN MT fields by XML tag names

5.3.2 HAM screens

Affected screen	Adaption to be done
Popup Preferences	Replace FIN Fields BIC 52-BIC58 and Beneficiary customer 59 by Corresponding XML tag names
Select Payments	Replace column MT
Select Message of Business Case	Replace column MT
Display Payment	Replace column MT
Enter MT 103	New screen/replace FIN MT fields by XML tag names
Enter MT 103+	New screen/replace FIN MT fields by XML tag names
Enter MT 202	New screen/replace FIN MT fields by XML tag names
Enter MT 202 COV	New screen/replace FIN MT fields by XML tag names

5.3.3 Services screens

Affected screen	Adaption to be done
none	none

5.3.4 Static Data screens

Affected screen	Adaption to be done
Enter Participant	Replace Advice for Debits (MT 900) and Credits (MT 910)
Display RTGS Account	Replace Advice for Settlement on RTGS account(MT 900/910) Adjust T2S-related notifications
Enter RTGS Account	Replace Advice for Settlement on RTGS account(MT 900/910) Adjust T2S-related notifications
Display HAM Account	Replace Advice for Debits (MT 900) and Credits (MT 910) Replace MT 202 in case of Liquidity Transfer
Enter HAM Account	Replace Advice for Debits (MT 900) and Credits (MT 910) Replace MT 202 in case of Liquidity Transfer

5.3.5 Monitoring screens

Affected screen	Adaption to be done
Status Overview for RTGS	Replace MT 103, MT 202 and MT 204



Payments	
Status Overview for HAM Payments	Replace MT 103, MT 202
Sum of Payments per RTGS Participant	Replace MT 103, MT 202 and MT 204

5.4 HAM

5.4.1 Payments on HAM accounts

Operations settled on the HAM accounts can be initiated via pacs.009 (simplified), i.e. a pacs.009 message with a limitation in the format (message details provided in annex 4):

- HAM to HAM payments
- cash withdrawals
- HAM to PM payments
- PM to HAM payments

The following table provides an overview about the possible SWIFTNet MT messages and their related ISO 20022 compliant MX equivalents to be processed by HAM:

Message Identifier	Type/	Acceptance	Description	MT equivalent
pacs.009 (simplified)		Mandatory	Bank-to-bank payment - message for cover method including customer credit transfer details	MT 202 (simplified)
camt.054		Optional	Confirmation of debit or credit	MT 900/910
MT 940/950		Optional	(Customer) Statement message	MT 940/950

Note: The migration of MT 940 and MT 950 is not envisaged for 2017 by request of the users, due to the need to adapt their backoffice legacy applications.

Transactions related to HAM accounts

All the transactions settled through the HAM are immediately final.

The following operations impacted by ISO20022 MX migration can be settled on the HAM accounts:

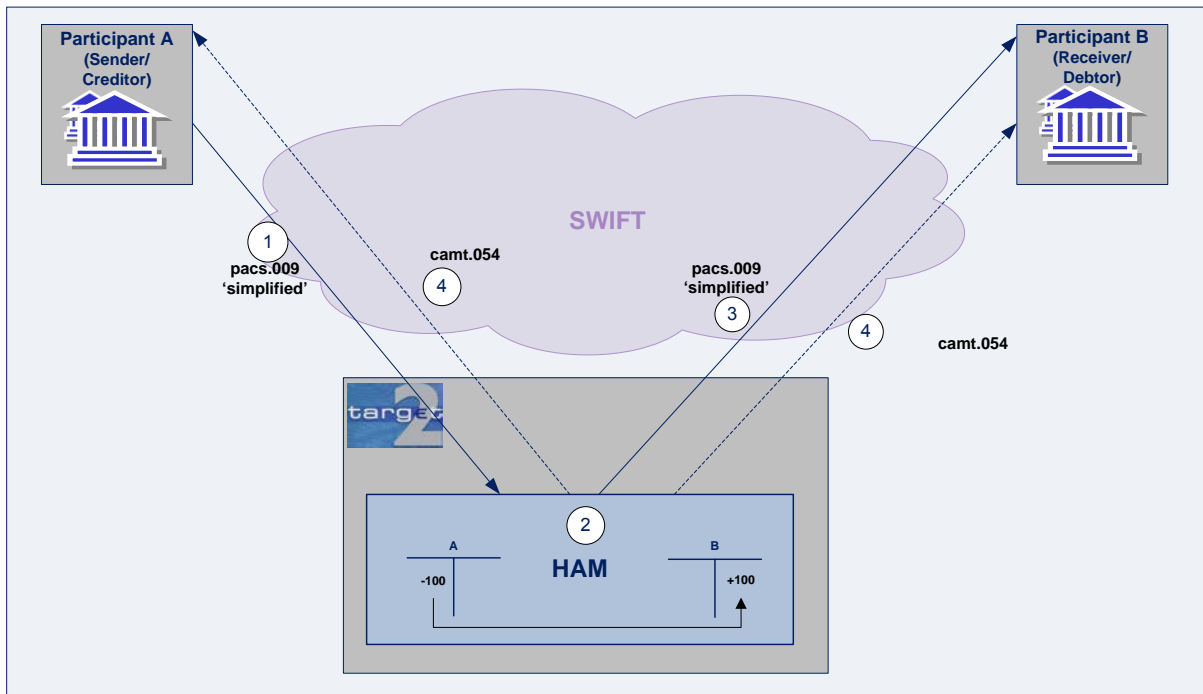
No.	Operation
1	Interbank transfer between HAM accounts (held at the same central bank) including operations with the own central bank (e.g. cash withdrawals and deposits, etc.)
2	Interbank transfer between HAM accounts (held at the same central bank) initiated by a PM co-manager
3	Liquidity transfer from HAM accounts to RTGS accounts (both accounts held by the same participant)

No.	Operation
4	Interbank transfers from HAM accounts to the RTGS account (accounts of different participants also in case the accounts are held by different CBs)
5	Interbank transfers from HAM accounts to the RTGS account (accounts of different participants) initiated by a co-manager
6	Interbank transfers from HAM accounts to the RTGS account of the co-manager
7	Liquidity transfers from RTGS accounts to HAM accounts (both accounts held by the same participant)
8	Interbank transfers from RTGS accounts to HAM accounts (accounts of different participants)

The processing of transactions in HAM is detailed described in the following diagrams and tables.

5.4.1.1 Interbank transfers between HAM accounts

The following diagram depicts the flow of interbank transfers between HAM accounts (held at the same central bank) including operations with the own central bank (e.g. cash withdrawals and deposits, etc.) (No. 1):



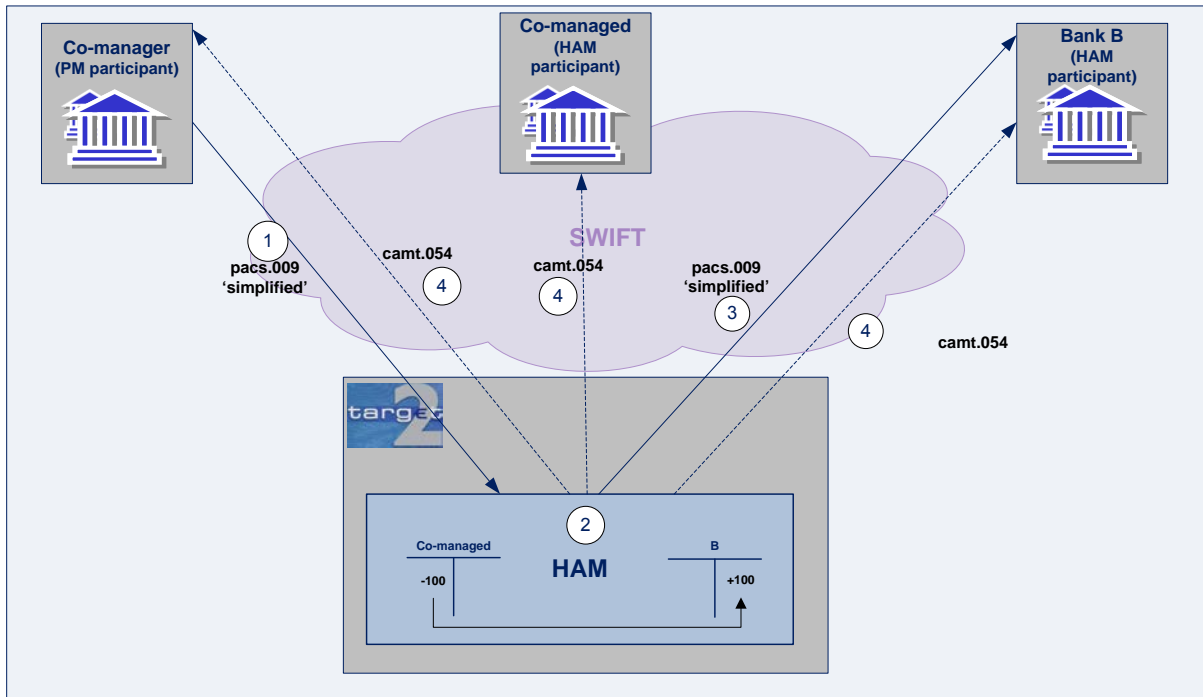
Steps of payment flow

The following table describes the processing of an interbank transfer between HAM accounts (held at the same central bank) including operations with the own central bank:

Step	Description
1	Sender (Bank A) generates a payment message (pacs.009 simplified) and addresses it to HAM, with beneficiary Bank B.
2	HAM debits Bank A's account and credits Bank B's account.
3	HAM sends the payment message (pacs.009 simplified) to Bank B.
4	On an optional basis the debit notification (camt.054 <u>debit</u>) is sent to Bank A and the credit notification (camt.054 <u>credit</u>) is sent to Bank B.

5.4.1.2 Interbank transfers between HAM accounts initiated by a co-manager

The following diagram depicts the flow of interbank transfers between HAM accounts (held at the same central bank) initiated by a co-manager (No. 2):



Steps of payment flow

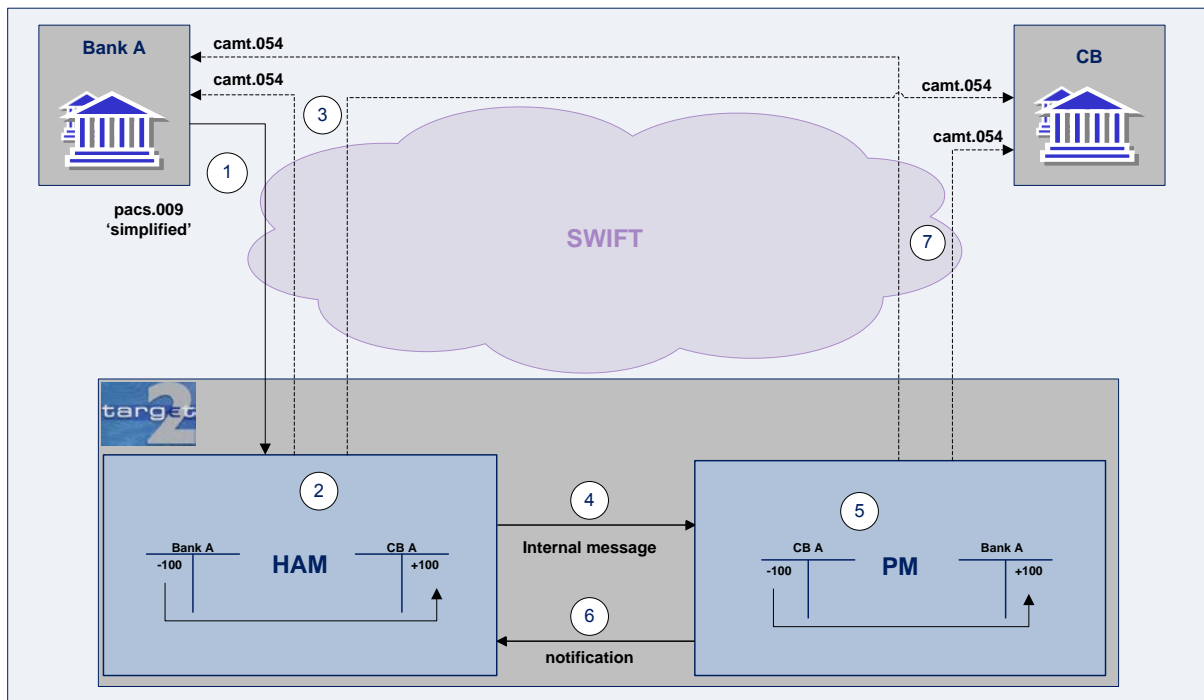
The following table describes the processing of an interbank transfer between HAM accounts (held at the same central bank) initiated by a co-manager:

Step	Description
------	-------------

1	Co-manager generates a payment message (pacs.009 'simplified') and addresses it to HAM, with beneficiary Bank B, setting as debtor the co-managed.
2	HAM debits co-managed account and credits Bank B's account.
3	HAM sends the payment message (pacs.009 'simplified') to Bank B.
4	On an optional basis the debit notification (camt.054 <u>debit</u>) is sent to the co-manager and to the co-managed, and the credit notification (camt.054 <u>credit</u>) is sent to Bank B.

5.4.1.3 Liquidity transfer from HAM accounts to RTGS accounts (both accounts held by the same participant)

The following diagram depicts the flow of liquidity transfers from HAM accounts to RTGS accounts (both accounts held by the same participant) (No. 3):



Steps of payment flow

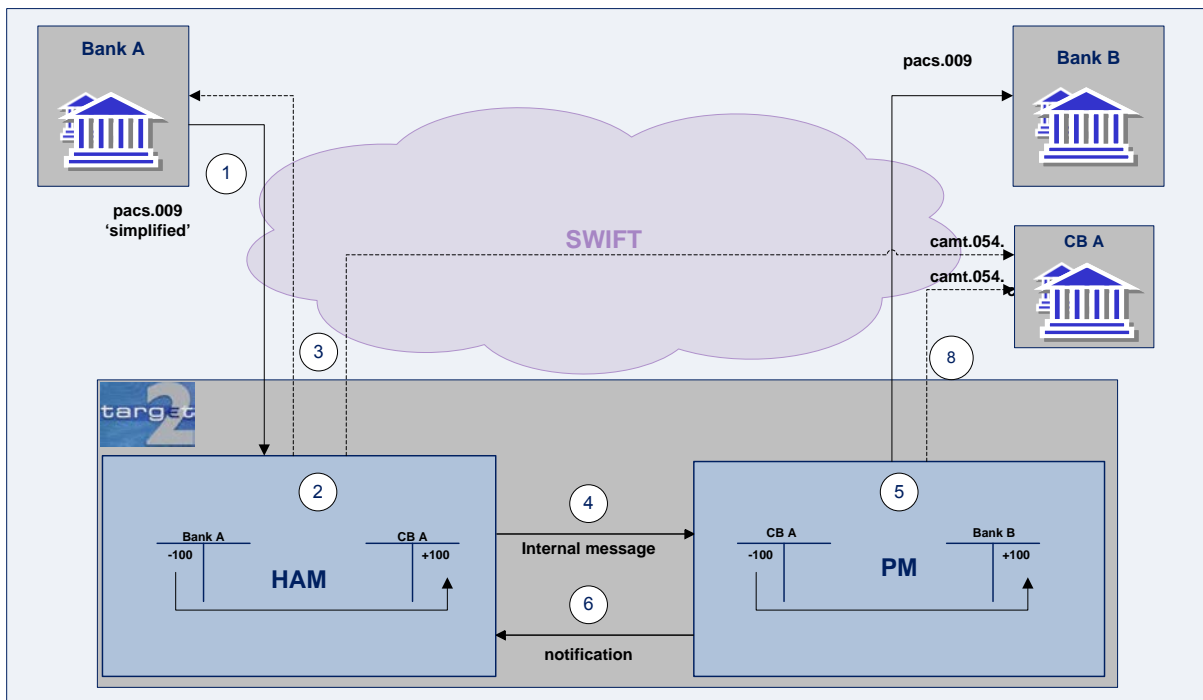
The following table describes the processing of a liquidity transfer from HAM accounts to RTGS accounts (both accounts held by the same participant):

Step	Description
1	Sender (Bank A) generates a liquidity transfer message (pacs.009 simplified) and addresses it to HAM, with beneficiary its own account in PM (the same BIC needs to be used in PM and HAM).
2	HAM debits the HAM account of Bank A and credits the account of the CB.

3	On an optional basis the debit notification (camt.054 <u>debit</u>) is sent to Bank A and the credit notification (camt.054 <u>credit</u>) is sent to the CB.
4	HAM sends an internal message (pacs.009 simplified) to PM.
5	PM debits the account of the CB and credits the RTGS account of Bank A.
6	PM sends a notification to HAM.
7	On an optional basis, PM sends the credit notification (camt.054 <u>credit</u>) to Bank A and the debit notification (camt.054 <u>debit</u>) to the CB.

5.4.1.4 Interbank transfers from HAM accounts to RTGS accounts (accounts of different participants also in case of accounts held at different central banks)

The following diagram depicts the flow of interbank transfers from HAM accounts to RTGS accounts in PM (different participants also in case of accounts held at different central banks) (No. 4):



Steps of payment flow

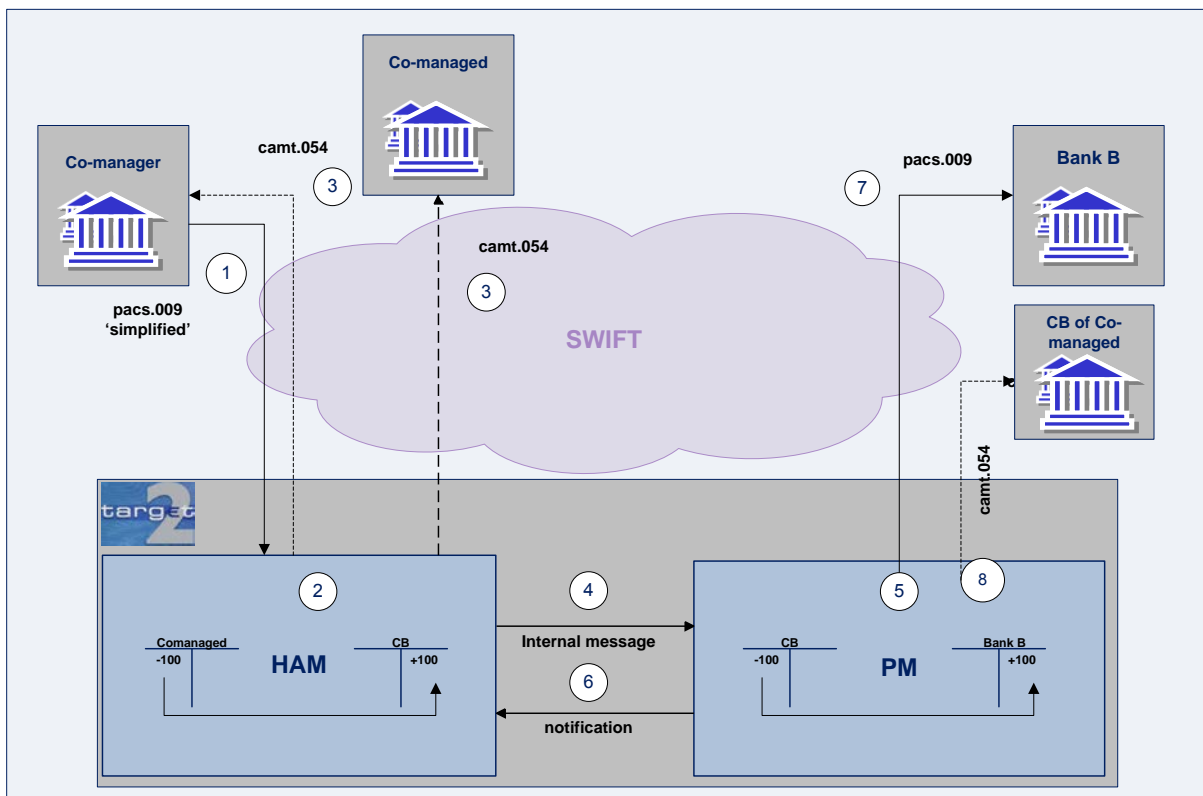
The following table describes the processing of an interbank transfer from HAM accounts to RTGS accounts in PM (different participants also in case of accounts held at different central banks):

Step	Description
------	-------------

Step	Description
1	Sender (Bank A) generates a transfer message (pacs.009 'simplified') and addresses it to HAM, with beneficiary PM participant (Bank B).
2	HAM debits the account of Bank A and credits the account of the CB of Bank A.
3	On an optional basis the debit notification (camt.054 <u>debit</u>) is sent to Bank A and the credit notification (camt.054 <u>credit</u>) is sent to the CB.
4	HAM sends an internal message (pacs.009.01.03 'simplified') to PM.
5	PM debits the account of the CB of Bank A and credits the account of Bank B.
6	PM sends a notification to HAM.
7	PM sends a transfer message (pacs.009)
8	On an optional basis PM sends the debit notification (camt.054 <u>debit</u>) to the CB of bank A.

5.4.1.5 Interbank transfers from HAM accounts to RTGS accounts initiated by a co-manager

The following diagram depicts the flow of interbank transfers from HAM accounts to the RTGS account of another participant initiated by a co-manager (No. 5):



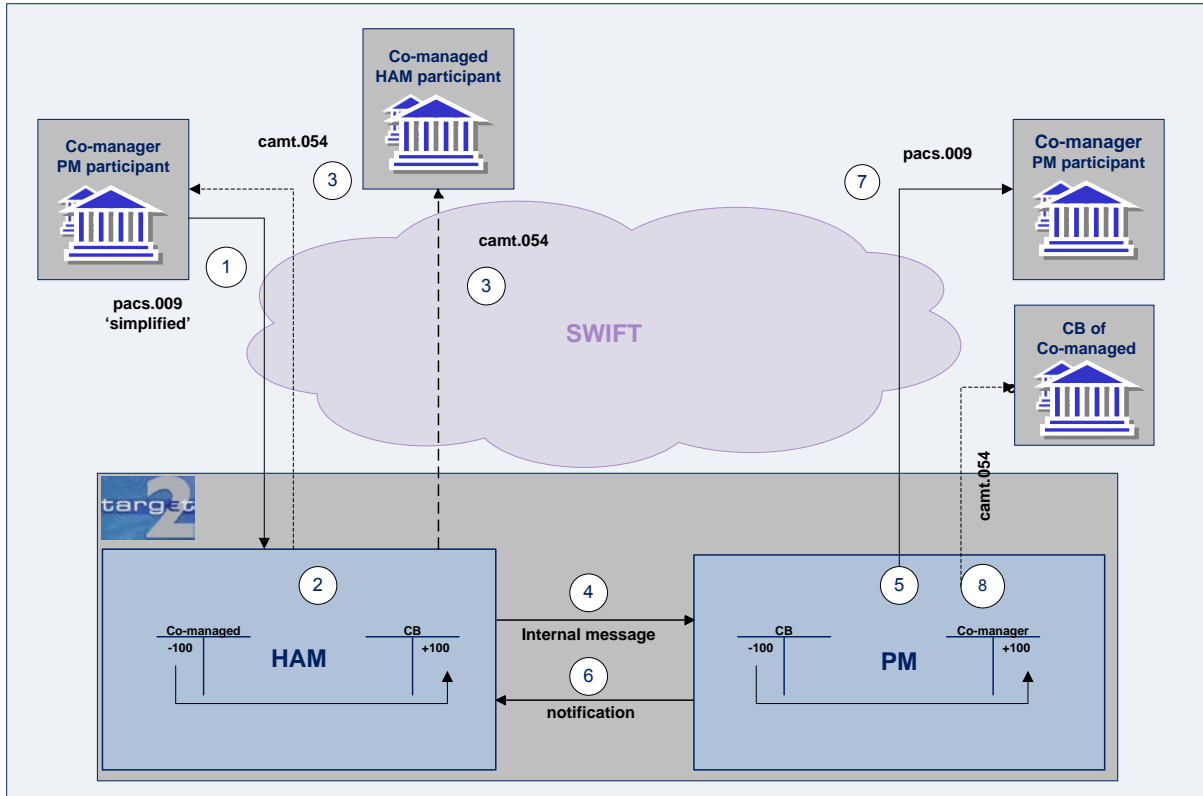
Steps of payment flow

The following table describes the processing of an interbank transfer from HAM accounts to the RTGS account of another participant initiated by a co-manager:

Step	Description
1	Co-manager generates a transfer message (pacs.009 'simplified') and addresses it to HAM, with beneficiary PM participant (Bank B), setting as debtor the co-managed.
2	HAM debits the co-managed account and credits the account of the CB of the co-managed.
3	On an optional basis the debit notification (camt.054 <u>debit</u>) is sent to the co-manager and to the co-managed and the credit notification (camt.054 <u>credit</u>) is sent to the CB.
4	HAM sends an internal message (pacs.009 'simplified') to PM.
5	PM debits the account of the CB of the co-managed and credits the account of Bank B.
6	PM sends a notification to HAM.
7	PM sends a pacs.009 to Bank B.
8	On an optional basis PM sends the debit notification (camt.054 <u>debit</u>) to the CB.

5.4.1.6 Interbank transfers from HAM accounts to the RTGS account of the co-manager

The following diagram depicts the flow of interbank transfers from HAM accounts to the RTGS account of the co-manager (No. 6):



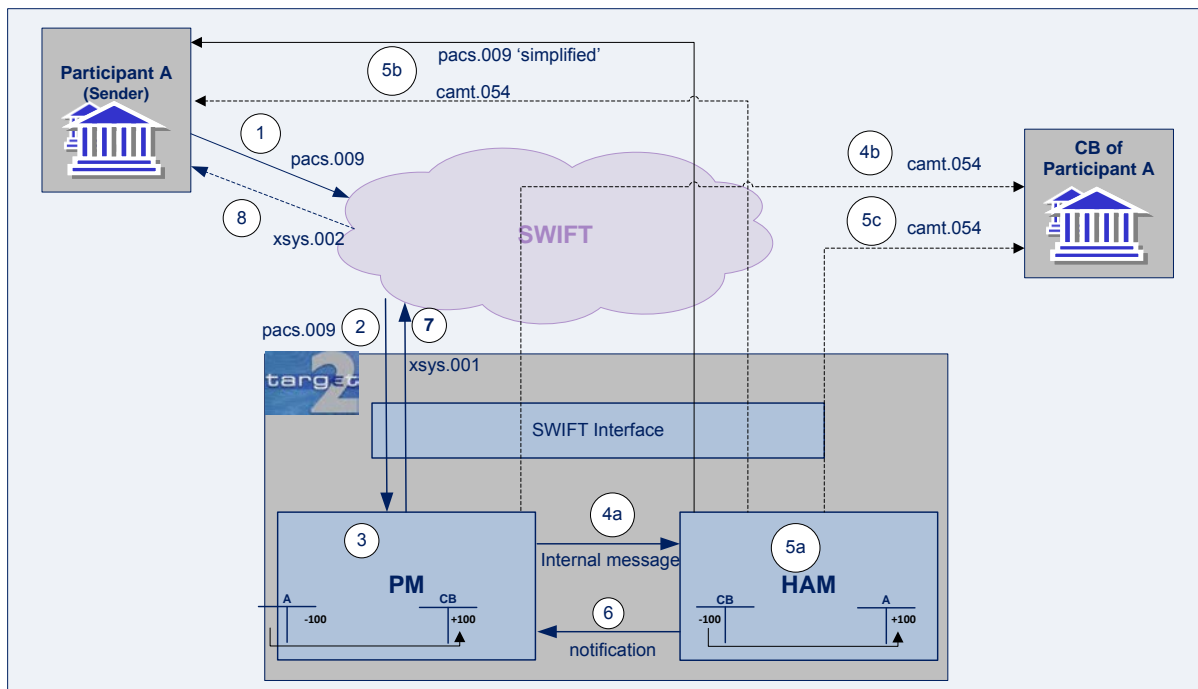
Steps of payment flow

The following table describes the processing of an interbank transfer from co-managed HAM accounts to the RTGS account of the co-manager:

Step	Description
1	Co-manager generates a transfer message (pacs.009 'simplified') and addresses it to HAM, with beneficiary itself in PM, setting as debtor the co-managed account.
2	HAM debits the co-managed account and credits the account of the CB of the co-managed participant.
3	On an optional basis the debit notification (camt.054 <u>debit</u>) is sent to the co-manager and to the co-managed and the credit notification (camt.054 <u>credit</u>) is sent to the CB.
4	HAM sends an internal message (pacs.009 'simplified') to PM.
5	PM debits the account of the CB of the co-managed participant and credits the account of the co-manager.
6	PM sends a notification to HAM.
7	PM sends a pacs.009 to the co-manager (based on data of pacs.009 simplified).
8	On an optional basis PM sends the debit notification (camt.054 <u>debit</u>) to the CB.

5.4.1.7 Liquidity transfers from RTGS accounts in PM to HAM accounts (same participant)

The following diagram depicts the flow of liquidity transfers from RTGS accounts to HAM accounts (both accounts held by the same participant) (No. 7):



Steps of payment flow

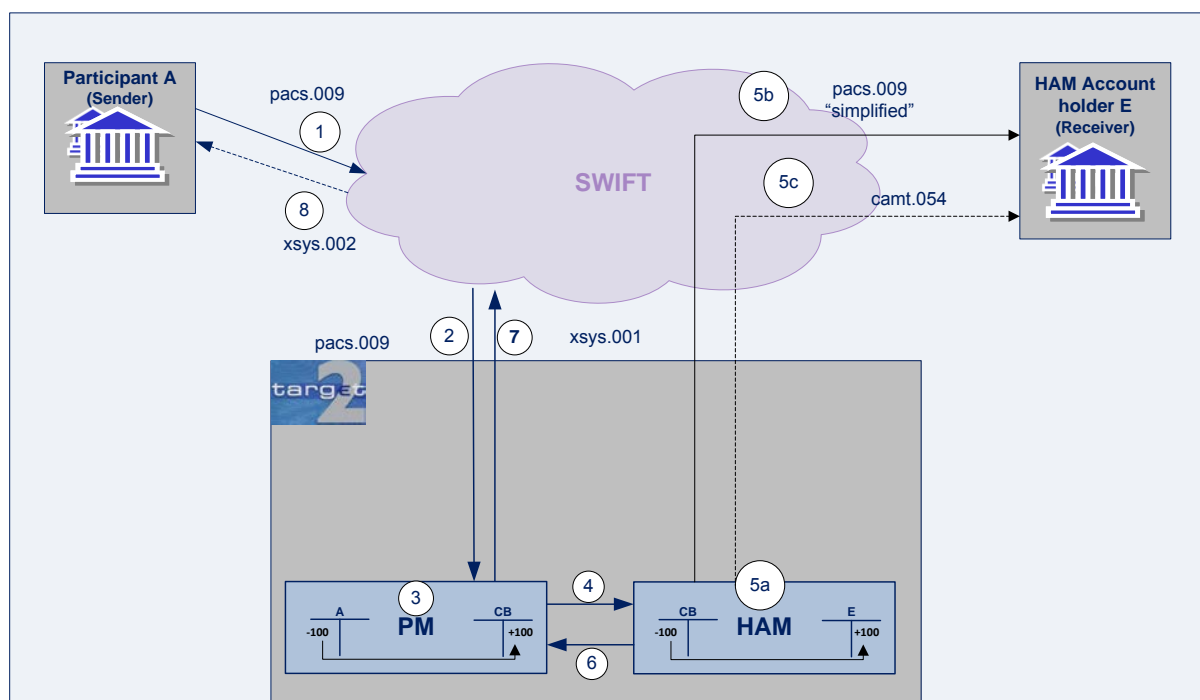
The following table describes the processing of a liquidity transfer from RTGS accounts to HAM accounts (both accounts held by the same participant):

No.	Description
1	Sender (Bank A) generates a payment message (pacs 009 with the same format restrictions as of pacs.009 'simplified') and addresses it to PM, with beneficiary its own HAM account.
2	The XML direct debit payment message is complemented by a Y-copy flag by SWIFT and forwarded to PM.
3	The payment is debited on the RTGS account of A and simultaneously credited on the RTGS account of its CB.
4a	PM sends an internal message (pacs.009 'simplified') to HAM.
4b	Optional: PM sends a credit notification (camt.054 credit) to the CB.
5a	HAM debits the account of the CB and credits the account of Bank A
5b	Bank A will receive a pacs.009 'simplified' and optional a credit notification (camt.054 credit).

5c	Optional: The CB receives a debit notification (camt.054 debit).
6	HAM sends a notification to PM.
7	A Y-Copy Authorisation message (xsys.001) is generated in PM and forwarded to SWIFT.
8	Optional: A can receive an xsys.002 - Y-Copy Authorisation Notification which also contains the booking time.

5.4.1.8 Interbank transfers from RTGS accounts to HAM accounts (accounts of different participants)

The following diagram depicts the flow of interbank transfers from RTGS accounts to HAM accounts (accounts of different participants) (No. 8):



Steps of payment flow

The following table describes the processing of an interbank transfer from RTGS accounts to HAM accounts (accounts of different participants):

Step	Description
1	The direct PM participant A (sender) generates an interbank transfer (pacs.009 with limitation in the format according to pacs.009 "simplified") in favour of the HAM account holder E.
2	The XML direct debit payment message is complemented by a Y-copy flag by SWIFT and forwarded to the PM.
3	The XML payment message has to pass several validations (schema validation and application oriented entry checks) before a payment is created. The payment has to pass further validations , e.g. the

Step	Description
	availability of sufficient cover, before it is debited on the RTGS account of A and simultaneously credited on the RTGS account of the CB of HAM account holder E.
4	PM sends an internal message to HAM. Optional: PM sends a credit notification (camt.054 <u>credit</u>) to the CB.
5a	HAM debits the account of the CB and credits the account of HAM account holder E.
5b	HAM account holder E will receive a pacs.009 “simplified”. Optional: The CB receives a debit notification (camt.054 debit).
5c	Optional: HAM account holder E receives a credit notification (camt.054 credit).
6	HAM sends a notification to PM.
7	A Y-Copy Authorisation message (xsys.001) is generated in the PM and forwarded to SWIFT.
8	Optional: A can receive an xsys.002 - Y-Copy Authorisation Notification which also contains the booking time.

5.4.2 Payments on CB Customer accounts

The following table provides an overview about the possible SWIFTNet MT messages and their related ISO 20022 compliant MX equivalents to be processed on “CB customer’s accounts”:

Message Identifier	Type/	Acceptance	Description	MT equivalent
pacs.008- 001.03 (core)		Mandatory	Customer payment (non-STP)	MT 103
pacs.008- 001.03 (STP)		Mandatory	Customer payment (STP)	MT 103(+)
pacs.009- 001.03 (core)		Mandatory	Bank-to-bank payment - general payment message	MT 202
pacs.009- 001.03 (COV)		Mandatory	Bank-to-bank payment - message for cover method including customer credit transfer details	MT 202 (COV)
camt.054- 001.03		Optional	Confirmation of debit or credit	MT 900/910
MT 940/950		Optional	(Customer) Statement message	MT 940/950

Note: The migration of MT 940 and MT 950 is not envisaged for 2017 by request of the users, due to the need to adapt their backoffice legacy applications.

Transactions related to “CB customer’s accounts“

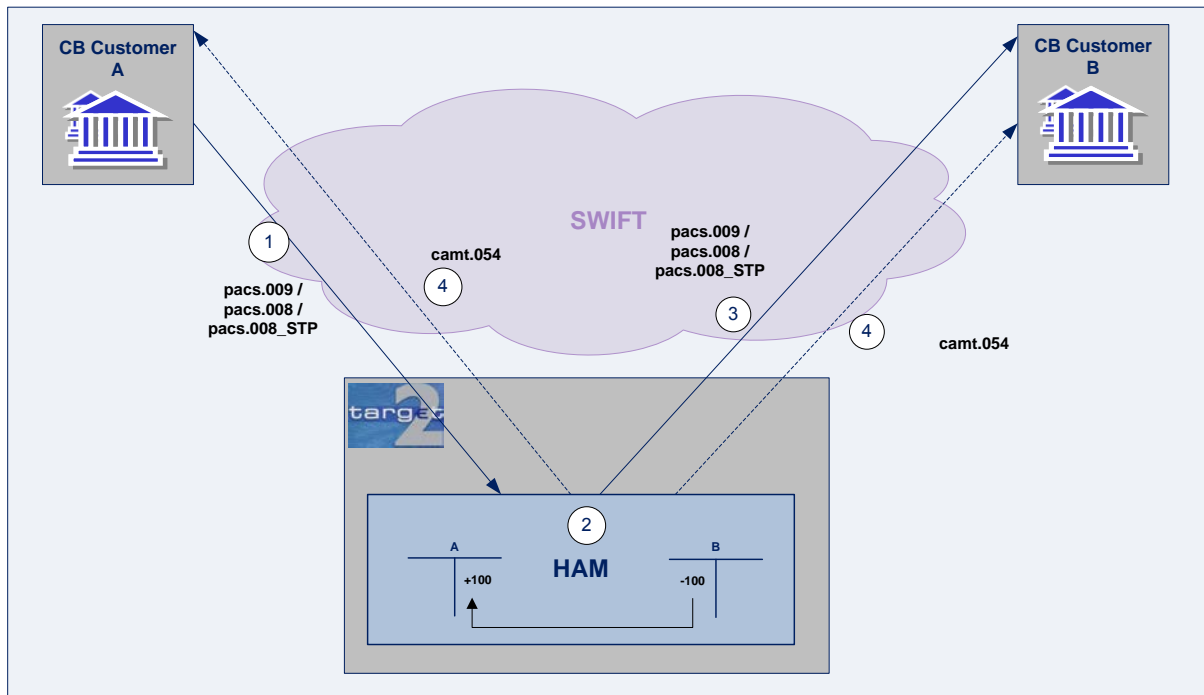
The following operations impacted by ISO 20022 MX migration can be settled on the “CB customer’s accounts“:

No.	Operation
1	Payments (customer and interbank) between CB customer’s accounts held at the same central bank
2	Payments (customer and interbank) between CB customer’s accounts held at different central banks
3	Payments (customer and interbank) from CB customer’s accounts to RTGS accounts (held at the same or at a different CB’s)
4	Payments (customer and interbank) from RTGS accounts to CB customer’s accounts (held at the same or at a different CB)

The processing of transactions is detailed described in the following diagrams and tables. Please consider in every transaction can also be applied on MT 202 COV equivalent MX pacs.009 (COV) message.

5.4.2.1 Payments between “CB customer’s accounts“ (same CB)

The following diagram depicts the flow of payments (customer and interbank) between CB customer’s accounts held at the same central bank (No. 1):



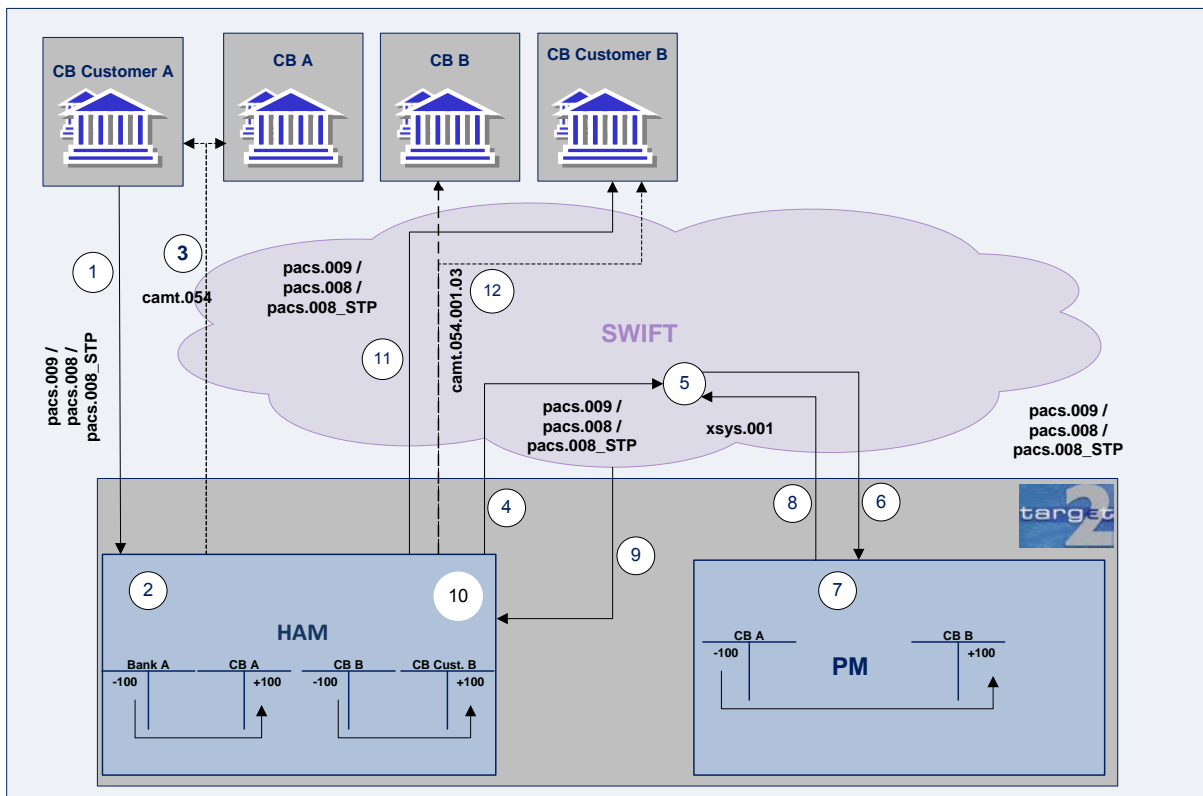
Steps of payment flow

The following table describes the processing of a payment (customer and interbank) between CB customer's accounts held at the same central bank:

Step	Description
1	Sender (CB customer A) generates a XML payment message and addresses it to HAM, with beneficiary CB customer B.
2	HAM debits CB customer A's account and credits CB customer B's account.
3	HAM sends the XML message to CB customer B.
4	On an optional basis notifications camt.054 <u>debit and credit</u> are sent out for debit to CB customer A and for credit to CB customer B.

5.4.2.2 Payments between "CB customer's accounts" (different CBs)

The following diagram depicts the flow of payments (customer and interbank) between CB customer's accounts held at different central banks (No. 2):





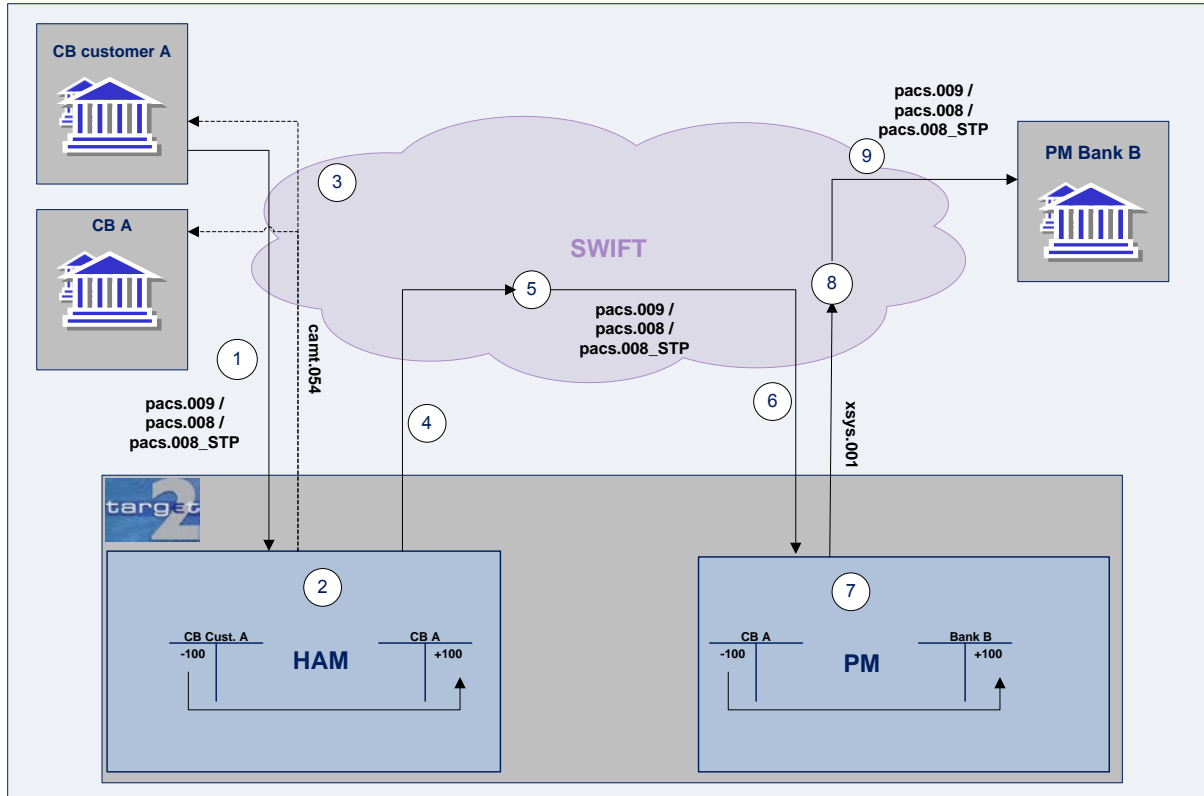
Steps of payment flow

The following table describes the processing of a payment (customer and interbank) between CB customer's accounts held at different central banks:

Step	Description
1	Sender (CB customer A) generates an XML payment message and addresses it to HAM, with beneficiary CB customer B.
2	HAM debits CB customer A's account and credits the relevant CB account (CB A's account).
3	On an optional basis notifications camt.054 <u>debit and credit</u> are sent out for debit to CB customer A and for credit to the CB.
4	HAM sends the XML payment message to SWIFT, addressed to the DN of BIC TRGTXECCBccX (where cc is the country code representing CB B + "X").
5	The payment is temporarily stored by SWIFT.
6	The XML payment message is complemented by a Y-copy flag by SWIFT and forwarded to the PM.
7	PM debits the account of the CB of CB customer A and credits the account of the CB of CB customer B.
8	A Y-Copy Authorisation message (xsys.001) is generated in the PM and forwarded to SWIFT.
9	SWIFT sends the stored payment to the DN of BIC CB customer B TRGTXECCBccX.
10	HAM debits the account of the CB of CB customer B and credits CB customer B account.
11	HAM forward the XML payment message to CB customer B.
12	On an optional basis notifications camt.054 <u>debit and credit</u> are sent for credit to CB customer B and for debit to the CB.

5.4.2.3 Payments from “CB customer’s accounts“ to RTGS accounts in PM

The following diagram depicts the flow of payments (customer and interbank) from CB customer’s accounts to RTGS accounts (held at the same or at a different CB) (No. 3):



Steps of payment flow

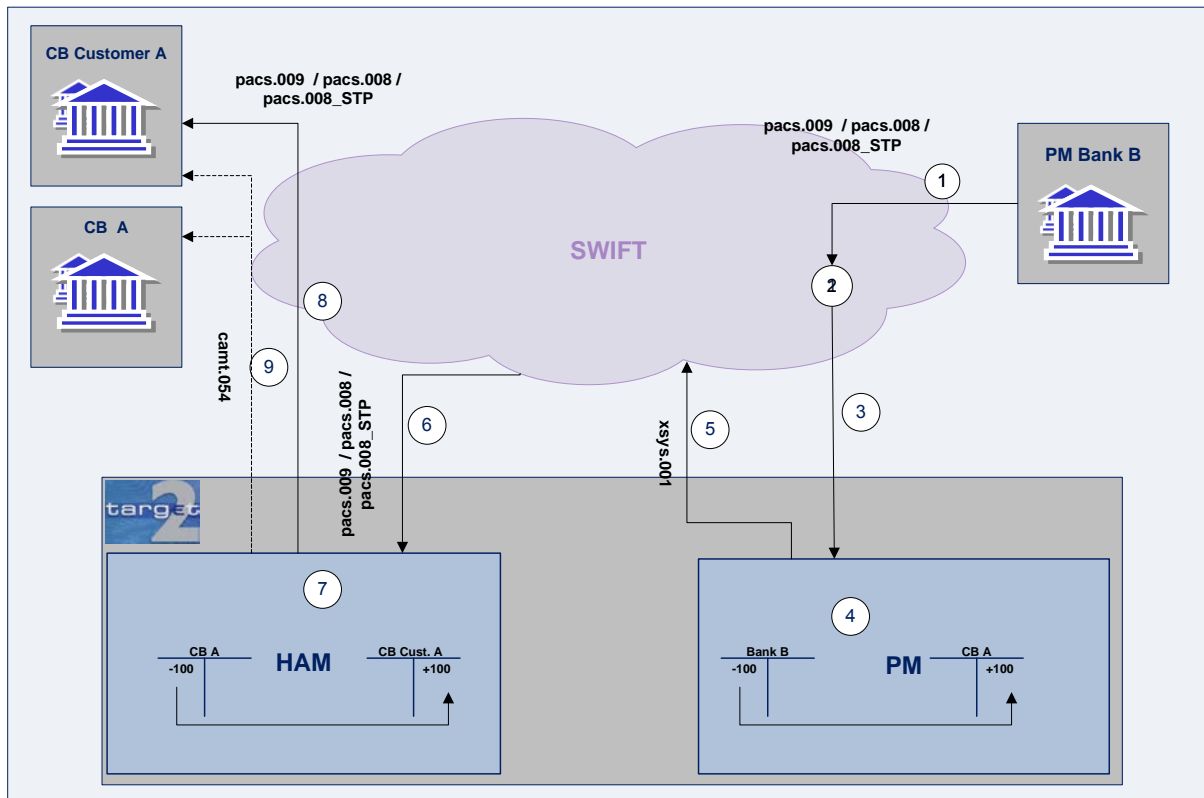
The following table describes the processing of a payment (customer and interbank) from a CB customer’s account to a RTGS account (held at the same or at a different CB)

Step	Description
1	Sender (CB customer A) generates an XML payment message and addresses it to HAM, with beneficiary Bank B.
2	HAM debits CB customer A’s account and credits the relevant CB account (CB A’s account).
3	On an optional basis notifications camt.054 <u>debit and credit</u> are sent for debit to CB customer A and for credit to the CB.
4	HAM sends the XML payment message to SWIFT.
5	The payment is temporarily stored by SWIFT.
6	The XML payment message is complemented by a Y-copy flag by SWIFT and forwarded to the PM.

Step	Description
7	PM debits the account of the CB of CB customer A and credits the Bank B's account.
8	A Y-Copy Authorisation (xsys.001) is generated in the PM and forwarded to SWIFT.
9	SWIFT sends the stored payment to Bank B.

5.4.2.4 Payments from RTGS accounts in PM to CB customer's accounts

The following diagram depicts the flow of payments (customer and interbank) from RTGS accounts to CB customer's accounts (held at the same or at a different CB's) (No. 4):



Steps of payment flow

The following table describes the processing of a payment (customer and interbank) from a RTGS account to a CB customer's account (held at the same or at a different CB's):

Step	Description
1	Sender (Bank B) generates an XML payment message and addresses it to HAM, using the specific BIC of the CB in HAM, with beneficiary CB customer A.

Step	Description
2	The payment is temporarily stored by SWIFT.
3	The XML payment message is complemented by a Y-copy flag by SWIFT and forwarded to the PM.
4	PM debits the Bank B's account and credits the relevant CB account (CB of CB customer A).
5	A Y-Copy Authorisation message (xsys.001) is generated in the PM and forwarded to SWIFT.
6	SWIFT sends the stored payment to HAM.
7	HAM debits the account of the CB of CB customer A and credits the CB customer A's account.
8	HAM sends the notification to CB customer A.
9	On an optional basis notifications camt.054 <u>debit and credit</u> are sent out by HAM for credit to CB customer A and for debit to the CB.

5.5 Standing Facilities Module

The SF module is not directly affected by the MX migration. The setting up of overnight deposit or reverse transaction (by a participant) as well as the setting up of marginal lending (by a CB) is done via the existing camt.050 XML message so no pacs message will be introduced in this area.

Nevertheless SF business cases are affected, as the corresponding modules PM and HAM for the processing of the SF business cases will send out no optional MT 900/910 debit/credit notifications anymore. These notifications are migrated to their MX equivalent camt.054.

Impacted business cases:

- Automatic marginal lending,
- Marginal lending on request and
- Overnight deposit.

5.6 Reserve Management Module

The RM module is not directly affected by the MX migration as no payments are directly exchanged between RMM and the participants.

Nevertheless RM business cases are affected, as the corresponding modules PM and HAM for the processing of the RM business cases will send out no optional MT 900/910 debit/credit notifications anymore. These notifications are migrated to their MX equivalent camt.054.

Impacted business cases:

- Remuneration and
- Penalties.

5.7 Contingency Module

The CM module is not directly affected by the MX migration. The liquidity injections and the contingency payments (by a CB) are done via the existing XML camt.050 message so no pacs message will be introduced in this area.

Nevertheless CM business is affected, as for the automatic settlement of balances after the restart of PM no optional MT 900/910 debit/credit notifications will be sent out by PM anymore. These notifications are migrated to their MX equivalent camt.054.

5.8 CRISP (billing)

The CRISP module is not directly affected by the MX migration as no payments are directly exchanged between CRISP and the participants.

Nevertheless CRISP issues internal debits on RTGS accounts for payment of invoice to PM, and internal credits on RTGS accounts in case of reimbursement. If the RTGS account holder has opted for debit and credit notifications, these transactions on the RTGS account will be notified by camt.054.

The only specificity of CRISP related debit and credit notification is the presence of codeword /SSPBIL/ in field "*AddtITxInf: Additional Transaction Information*".

6 SWIFTNet

6.1 SWIFTNet Services - General aspects

6.1.1 SWIFTNet addressing

6.1.1.1 User requirements

SWIFTNet Copy (which is the natural replacement of the current FIN Y-Copy service) and V-shape are based on the InterAct S&F and therefore the addressing is based on DNs instead of BICs.

But in contrary to the addressing based on DNs the requirement of the TARGET2 participants is to continue to use BIC at business level to address the messages. But this will essentially consist in defining a rule to “translate” the BIC into DN and vice versa in the addressing fields of the InterAct messages.

This rule applies for the addressing in Copy mode as well as for the addressing in V-shape mode, i.e. HAM messages or messages sent by TARGET2 (e.g. backup payments or debit/credit confirmations).

It should be mentioned that the BIC used by a participant in TARGET2 continues to follow the rules defined by the Eurosystem for TARGET2, i.e. mandatory usage of published BIC for payment activity.

6.1.1.2 General rules for SWIFTNet addressing

The MX messages to be used for the SWIFTNet Copy service are based on the structure defined for the Interact S&F service. It consists of different blocks:

- Authorisation Context, Authenticator, and Requestor;
- Request Control
- Request Header
- Payload
- Message Signature

For addressing purpose the relevant block is the block “Request Header”. This block contains the following tags:

- Distinguished Name of the Requestor (Requestor DN)
- Distinguished Name of the Responder (Responder DN)
- Service Name
- Request Type
- Priority
- Request Reference

The requestor DN and the responder DN tag identify the sending and the receiving party as an X.500 distinguished name, ending with:

`o=<SWIFTNet institution BIC-8>,o=swift`

SWIFT checks that the BIC8 present in the requestor DN is equal to the BIC8 of the “user distinguished name” in the authorization block.

The full requestor DN combined with the full responder DN is used by SWIFT to verify that the sending/receiving users are registered in the relevant Closed User Group(s).

Current business practice in addressing the messages in TARGET2 in SWIFTNet Copy mode is based on the BIC11 present in the field “Addressee” of the TARGET2 Directory.

Addressing in V-shape mode (e.g. HAM messages or push messages by TARGET2 like for Backup payments) is based on the BIC11 of the participant/account holder.

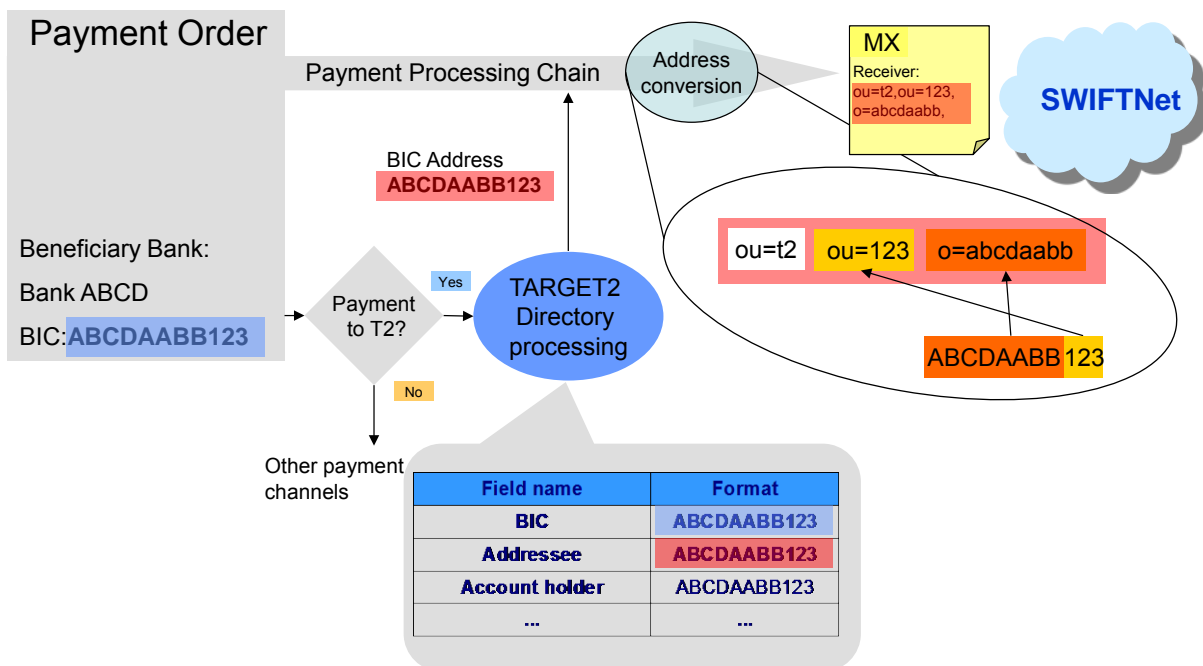
Due to the requirement of the TARGET2 participants (see previous chapter) there is a need to translate the addressee respectively the participant BIC in a DN to be used in the field responder DN (receiver of the payment) respectively requestor DN (sender of the payment).

The sending party must ensure the usage of lower case characters a to z.

The rule to be used is the following:

`ou=<branch code, or xxx as appropriate>,o=<SWIFTNet institution BIC-8>,o=swift`

The following diagram depicts the processing of the address conversion BIC – DN:



In the table below some examples are reported for SWIFTNet Copy:

Addressee field in the TARGET2 DIR	Requestor dn
DEUTDEFFXXX	ou=xxx,-o=deutdeff,-o=swift
BITAITRR132	ou=132,-o=bitaitrr,-o=swift

The following DN suffixes are used by TARGET2 modules as requestor DN (for messages sent by TARGET2) or responder DN (for messages received by TARGET2) in V-shape mode:

Module	DN suffix
HAM	ou=xxx,-o=trgtxehm,-o=swift
ICM	ou=xxx,-o=trgtxepm,-o=swift
PM (ASI)	ou=asi,-o=trgtxepm,-o=swift
PM (HAM)	ou=ham,-o=trgtxepm,-o=swift
PM (PI)	ou=xxx,o=trgtxepm,-o=swift
PM (T2SI)	ou=t2s,-o=trgtxepm,-o=swift

When the message is received in TARGET2 the requestor and responder DNs are verified. If they are not compliant with the structure defined above the message will be rejected, otherwise the derived BIC11 is used for the further processing of the payment.

From a SWIFTNet perspective, there is no need to define (i.e. to register) the DNs used for addressing purposes, however some set-up is required:

- Registration in the CUGs will be (as in FIN Copy and FIN) at BIC8 level (with wild card for the sub-levels)
- The institution will register the same BIC8 to both, the live and the test CUGs

Users have to ensure that at least a TARGET2 queue (it is recommended, but soon will be enforced to separate live from test traffic by defining appropriate queues) is defined to receive the messages arriving as part of a TARGET2 service and addressed to any of the DNs of the BIC8.

6.1.1.3 Addressing in test environment

In the SWIFTNet InterAct and FileAct world the notion of Test and Training destination in the addressing fields (i.e. sending/receiving BIC with 0 at the 8th position – e.g. UNCRITM0XXX) is not necessary, respectively not possible anymore. The reason is that messages themselves carry the information required to identify whether they are sent in a live or a test environment by providing the related service name in the Request Header block (see next chapter). Therefore production BICs have to be used in the addressing DNs of the CUST environment in difference to today's FIN world.

Possible consequences on the participant data and on the TARGET2 directory in test environment are under further investigation.

6.1.2 Service Names

The Service Name (tag <SwInt:Service> in the Request Header block) contains the SWIFTNet service to be used.

For processing XML requests in Store-and-Forward Copy mode in TARGET2 a new service name will be introduced with MX migration. The following tables provide an overview about all service names applicable for store & forward mode in TARGET2 after MX migration:

- Customer test environment

Service Name	SWIFTNet service	Mode	Comment
trgt.sfpapss!p	InterAct	Store-and-Forward V-shape	Already provided for XML requests before MX migration.
target.copy!p	InterAct	Store-and-Forward Copy	Introduced with MX migration for processing XML messages in SWIFTNet copy.

- Live environment

Service Name	SWIFTNet service	Mode	Comment
trgt.sfpapss	InterAct	Store-and-Forward V-shape	Already provided for XML requests before MX migration.
target.copy	InterAct	Store-and-Forward Copy	Introduced with MX migration for processing XML messages in SWIFTNet copy.

Note: The 'mode' determines which APIs/primitives developers will have to use to exchange XML messages.

6.1.3 Request Type

The request type is besides the service name, requestor DN, responder DN a SWIFTNet routing component that delivers messages to a specific SWIFTNet Link server. The 'Request Type' identifies the message type of the XML message using the standard code (see table below) of the message (not a textual description).

The tag containing the 'Request Type' is called <SwInt:RequestType>

The following list contains all customer requests supported by TARGET2:

Name	Request Type	ISO standard
FItoFICustomerCreditTransfer	pacs.008- 001.03	Payments Clearing and Settlement
FinancialInstitutionCreditTransfer	pacs.009- 001.03	Payments Clearing and Settlement



Name	Request Type	ISO standard
Financial InstitutionDirectDebit	pacs.010- 001.04	Payments Clearing and Settlement

Following messages will be pushed to account holders on optional basis:

Name	Request Type	ISO standard
BankToCustomerDebitCreditNotification	camt.054- 001.03	Cash Management Standard

6.1.4 User Roles

User roles set up in SWIFT's RBAC service are only used for real-time message processing used by ICM and T2SI. The RBAC service is not used in Store-and-Forward mode which will be applied for SWIFTNet Copy and V-shape service. Thus, no user roles are validated by the TARGET2 payment interfaces as it is today and user role validation will not be influenced by the ISO 20022 migration.

6.2 SWIFTNet Messages – Details

6.2.1 Header and Payload

As described within chapter 6.1.1 the requestor and responder are identified by the respective DN.

Therefore an application header in the payload for the routing is not necessary.

The following table provides a mapping of the business elements of the MT message header to the MX equivalents. The examples shown are all related to messages exchanged in the context of a FIN Copy / SWIFTNet Copy service.

The mapping for non-copy traffic can be derived by ignoring the copy related elements.

There is no relationship between a requestor DN and the DN used for signing except that the BIC8s must match.

The mapping is shown from sender point of view:

MT header	Input message in MT format	MX header	Input Message in SN format
Sender BIC to Requestor DN			
Basic Header	LT Address: BANKBEBBAABC	Request Header	RequestorDN: ou=abc,-o=bankbebb,-o=swift
Receiver BIC to Responder DN			
Application Header	Destination Address: BANKUS33XEF	Request Header	ResponderDN: ou=xef,-o=bankus33,-o=swift
Message type			
Application Header	Message Type: 103	Request Header	RequestType: pacs.008-001-03
Obsolescence period/Overdue warning delay			
Application Header	Obsolescence Period: 003	Request Control	OverdueWarningDelay: 15



MT header	Input message in MT format	MX header	Input Message in SN format
Copy indicator/service name*			
User header	103: Service Code TGT	Request Header Request Control	Service: target.copy CopyIndicator: TRUE
<p>*In FIN Copy, the service identifier code in tag 103 triggers the copy and indicates for which service the copy is being generated.</p> <p>These are separate elements in SWIFTNet. It should be noted that if the CUG is only used for copy traffic the SWIFTNet Copy indicator is not required and the service name itself will be sufficient to trigger the copy.</p> <p>The SWIFTNet service name also indicates whether the service is live (e.g. target.copy) or test (e.g. target.copy!p).</p>			
Settlement priority/Authorisation Notification (MT 012) request			
User header	113: Banking Priority: UYNN Character 1: U = urgent payment Character 2: Y = MT 012 requested Characters 3+4 (not used by TARGET 2)	Request Payload Request Control To be investigated by SWIFT.	SettlementPriority: HIGH AuthNotifInd: TRUE
MUR / Reference			
User header	108: Optional Message User: 12345	<u>Request Header</u>	RequestRef: 12345

6.2.2 System Messages

6.2.2.1 xsys.001.~~001.01~~ - Y-Copy Authorisation or Refusal

Description

The xsys.001.~~001.01~~ Y-Copy Authorisation or Refusal message serves as MX equivalent of MT 097 and is sent by TARGET2 to SWIFT to authorise or refuse a Y-Copy message.

Usage

In Y-Copy, the third party, i.e. TARGET2 must explicitly authorise or refuse the message. When authorised, the message is made available for delivery to the ~~ultimate~~ receiver. If

refused a notification of refusal is sent back to the sender with the indication that the message or file was refused.

The rejection message xsys.001 contains the SnFRef of the original message as seen by the original sender. It is this reference that is copied into the Y-copy refusal notification messages (xsys.003).

6.2.2.2 xsys.002.~~001.01~~ - Y-Copy Authorisation Notification

Description

The xsys.002.~~001.01~~ Y-Copy Authorisation Notification message serves as MX equivalent of MT 012. The message is generated by SWIFT to the sender of the original message or file, in case the Y-Copy third party has authorised the message or file by sending an xsys.001.~~001.01~~ Y-Copy Authorisation or Refusal message (MT 097 equivalent) with <AuthstnSts> equal to “Authorised”.

Usage

For Y-Copy services, the third party can optionally provide information to be returned to the sender through an xsys.002.~~001.01~~ Y-Copy Authorisation Notification message. This is done by making an indication in the ThirdPartyToSenderInformation element of the xsys.001.~~001.01~~ Y-Copy Authorisation or Refusal message. In TARGET2 the optional information will still be present with ISO 20022 MX migration as already applied for SWIFTNet FIN Copy to follow the “like-for-like” approach.

The Priority of the system message is equal to the Priority of the message or the file on which it reports. By default, the Priority is equal to Normal.

Mapping message items of MT 012 into xsys.002.~~001.01~~

The following table describes the structure of the xsys.001.~~001.01~~ Y-Copy Authorisation or Refusal message and mapping to MT 012:

xsys.002. 001.01	Mapping to MT 012	Use in TARGET2
n/a	F175 Time	Input time of the original user message local to the sender.
Sw:SnRef	106 MIR	MIR, identifying the sender's Copy message copied to the PM and released by PM.
SwInt:RequestRef	108 MUR	Optional MUR, identifying the sender's copy message copied to the PM and released by PM.
SwInt:Responder	102 SWIFT address	Destination of the sender's message
SwInt:Service	103 Service code	TGT
Sw:ThirdPartyToSenderInformation	114 Payment Release Information- Sender	(SWIFT format: 32x) Regular TARGET2 usage: <ul style="list-style-type: none"> • Credit time HHMMSS, • Debit time HHMMSS, • Country code of sender, • Reference of original payment message

		<p>In case “Pull liquidity from T2S”:</p> <ul style="list-style-type: none"> • T2S Receipt entry time HHMMSS • T2S settlement status: “SSET” (settled) or “SPAS” (partially settled) • TARGET2 Business Case ID
--	--	---

6.2.2.3 **xsys.003.001.01 - Y-Copy Refusal Notification**

Description

The xsys.003.001.01 Y-Copy Refusal Notification message serves together with the xsys.012.001.01 MX Failed Delivery Notification message (see next chapter) as the MX equivalent of MT 019 Abort Notification. The message will be generated by SWIFT and provided to the original sender in the case the Y-Copy third party (TARGET2) refused the message or file by sending an xsys.001.001.01 Y-Copy Authorisation or Refusal message (MT 097 equivalent) with <AuthstnSts> equal to “Refused”.

Usage

The xsys.003.001.01 Y-Copy Refusal Notification is generated to alert the sender that a message or file has been refused.

When the third party (TARGET2) refuses a message or file, then SWIFT generates the xsys.003.001.01 Y-Copy Refusal Notification message. This message can contain the ThirdPartyRefusalReason, which provides further information about the refusal.

Mapping of message items MT 019 into xsys.003.001.01

The following table describes the structure of the xsys.003.001.01 Y-Copy Authorisation or Refusal message and mapping to MT 019:

xsys.003.001.01	Mapping to MT 019	Use in TARGET2
n/a	F175 Time	Input time of the aborted message local to the sender.
Sw:SnRef	F 106 MIR	MIR, identifying the aborted message.
SwInt:RequestRef	F 108 MUR	The MUR identifies the aborted message (if present). If no MUR was present: <ul style="list-style-type: none"> • tag 108 will contain the contents of field 20 of the original message when the alphabetical characters used were all in upper case • tag 108 will not be present, when contents of field 20 could not be used
SwInt:Responder	F 102 SWIFT address	Destination of the aborted message
n/a	F 107 MOR	MOR identifying the aborted message. If several delivery attempts have been made, field 107 contains the last valid MOR.

Sw:ThirdPartyRefusalReason	F 432 Abort Reason	SWIFT manual FIN error codes or reason for the message being rejected by PM.
SwInt:Service	619 VAS code	FIN Copy service code: code of field TAG 103 of the aborted message

6.2.2.4 ~~xsys.012.001.01~~ - Failed Delivery Notification

Description

The ~~xsys.012.001.01~~ Failed Delivery Notification message serves together with ~~xsys.003.001.01~~ Y-Copy Refusal Notification message (see previous chapter) as the MX equivalent of MT 019 Abort Notification. The message will be generated by SWIFT and provided to the original sender in the case the message cannot be delivered by SWIFT because of technical reasons and no further delivery attempts will be made.

Usage

The ~~xsys.012.001.01~~ Failed Delivery Notification can occur as abort notification for messages processed in copy as well as in non-copy mode (i.e. V-shape).

In case of copy messages there are two possible scenarios:

- TARGET2 (PM) has accepted to settle the transaction, but SWIFT is not able to deliver the original message to the intended receiver.
- SWIFT is not able to deliver the copy message to TARGET2

In both scenarios, the sender will receive an ~~xsys.012.001.01~~ providing references to the message which has not been delivered and the reason for which delivery was not successful. To distinguish between both scenarios the ThirdPartyDN to which the message failed to be delivered is available only for the second scenario.

Therefore if the sender receives an ~~xsys.012.001.01~~ with “Failed” or “Rejected” in the accept status and the ThirdPartyDN is absent, the payment has to be considered as settled by TARGET2 but undelivered to the final receiver by SWIFT. In the other case (ThirdPartyDN is present) SWIFT was not able to deliver the copy message to TARGET2, i.e. the payment was not settled by TARGET2 and due to this also no delivery to the ~~ultimate~~ receiver took place.

6.2.3 Payment Messages

For the transfer of functionalities available in the MT standards (MT 103 (STP), MT 202 (COV)) to the corresponding ISO 2022 standards according to the “like-for-like” approach a restriction of the ISO 2022 MX equivalents has been performed.

The restrictions that apply to the ISO 2022 messages are provided in the annex 4 of the GFS for all payment messages used in TARGET2.

In the context of ISO 2022 migration of TARGET2 it was required to draft a completely new MX message equivalent (pacs.010.~~001.04~~) for the MT 204 because for this direct debit message no MX equivalent was in place.

6.2.3.1 FIToFICustomerCreditTransferV03_pacs.008.~~001.03~~ (core)

The FI2FI Customer Credit Transfer message pacs.008.~~001.03~~ (core) serves as MX equivalent to the MT 103. It is sent by the debtor's agent to the creditor's agent, directly or through other agents and/or a payment clearing and settlement system. It is used to move funds from a debtor's account to a creditor.

Following the “like-for-like” approach the pacs.008.~~001.03~~ (core) message has been restricted according to fields, options and format of MT 103 currently to be used in TARGET2.

Nevertheless some values have been moved to a different place in the MX message in comparison to the related MT field:

MT 103		Pacs.008. 001.03 (core)	
User header	Banking Priority	Request Payload	Settlement Priority
Text block	F72: /CLSTIME/	Request Payload	Settlement Time Request: CLS Time Note: The tag Instruction for Next Agent is aligned as equivalent of MT field F72 with format 6 x 35. Following scenario could be possible: The sender places 6 x 35 free format data into the Instruction for Next Agent but also the Settlement Time Field is set in the MX. When mapping back to MT, data could be lost. To keep in case of conversion from MX to MT and usage of both tags (i.e. Instruction for Next Agent and CLSTIME within one message) all data it is recommended to restrict the lines of tag Instruction for Next Agent to 5 x 35.

6.2.3.2 FIToFICustomerCreditTransferV03_pacs.008.~~001.03~~ (STP)

The FI2FI Customer Credit Transfer message pacs.008.~~001.03~~ (STP) serves as MX equivalent to the MT 103+. It is sent by the debtor's agent to the creditor's agent, directly or through other agents and/or a payment clearing and settlement system. It is used to move

funds from a debtor's account to a creditor but for the creation of message the STP rules must be kept.

Following the “like-for-like” approach the pacs.008-001-03 (STP) message has been restricted according to fields, options and format of MT 103+ currently to be used in TARGET2.

Nevertheless some values have been moved to a different place in the MX message in comparison to the related MT field:

MT 103		Pacs.008-001-03 (STP)	
User header	Banking Priority	Request Payload	Settlement Priority
User header	119: Validation Flag: STP	It is still under investigation to find the best way to support the specific validations that are currently triggered by the field 119 Validation Flag and also to support the like-for-like validation in SWIFTnetwork.	
Text block	F72: /CLSTIME/	Request Payload	Settlement Time Request: CLS Time Note: The tag Instruction for Next Agent is aligned as equivalent of MT field F72 with format 6 x 35. Following scenario could be possible: The sender places 6 x 35 free format data into the Instruction for Next Agent but also the Settlement Time Field is set in the MX. When mapping back to MT, data could be lost. To keep in case of conversion from MX to MT and usage of both tags (i.e. Instruction for Next Agent and CLSTIME within one message) all data it is recommended to restrict the lines of tag Instruction for Next Agent to 5 x 35.

6.2.3.3 FinancialInstitutionCreditTransferV03_pacs.009-001-03 (core)

The FinancialInstitutionCreditTransfer message pacs.009-001-03 (core) serves as MX equivalent to the MT 202. It is sent by a debtor financial institution to a creditor financial institution, directly or through other agents and/or a payment clearing and settlement system. It is used to move funds from a debtor's account to a creditor, where both debtor and creditor are financial institutions.

Following the “like-for-like” approach the pacs.009-001-03 (core) message has been restricted according to fields, options and format of MT 202 currently to be used in TARGET2.

Nevertheless some values have been moved to a different place in the MX message in comparison to the related MT field:

MT 202		Pacs.009-001-03 (core)	
User header	Banking Priority	Request Payload	Settlement Priority
Text block	F72:	Request	Settlement Time Request: CLS Time



	/CLSTIME/	Payload	<p>Note: The tag Instruction for Next Agent is aligned as equivalent of MT field F72 with format 6 x 35. Following scenario could be possible: The sender places 6 x 35 free format data into the Instruction for Next Agent but also the Settlement Time Field is set in the MX. When mapping back to MT, data could be lost. To keep in case of conversion from MX to MT and usage of both tags (i.e. Instruction for Next Agent and CLSTIME within one message) all data it is recommended to restrict the lines of tag Instruction for Next Agent to 5 x 35.</p>
	F72: /INS/	Request Payload	<p>CreditTransferTransactionInformation/PreviousInstructingAgent (INS)</p> <p>Note: None of the codes defined for use in MT field 72 are individually mapped with exception of code /INS/.</p> <p>The tag Instruction for Next Agent is aligned as equivalent of MT field F72 with format 6 x 35. Same restriction as for settlement time request should be applied.</p>

6.2.3.4 FinancialInstitutionCreditTransferV03_pacs.009.001.03 (COV)

The FinancialInstitutionCreditTransfer message pacs.009.001.03 (COV) serves as MX equivalent to the MT 202 (COV). It is sent by a debtor financial institution to a creditor financial institution, directly or through other agents and/or a payment clearing and settlement system. It is used to move funds from a debtor's account to a creditor, where both debtor and creditor are financial institutions.

Following the "like-for-like" approach the pacs.009.001.03 (COV) message has been restricted according to fields, options and format of MT 202 (COV) currently to be used in TARGET2.

Nevertheless some values have been moved to a different place in the MX message in comparison to the related MT field:

MT 202 (COV)		Pacs.009.001.03 (COV)	
User header	Banking Priority	Request Payload	SettlementPriority
User header	119: Validation Flag: COV	It is still under investigation to find the best way to support the specific validations that are currently triggered by the field 119 Validation Flag and also to support the like-for-like validation in SWIFTnetwork.	
Text block	F72: /CLSTIME/	Request Payload	Settlement Time Request: CLS Time Note: The tag Instruction for Next Agent is aligned as equivalent of MT field F72 with format 6 x 35. Following scenario could be possible: A bank places 6 x 35 free format data into the Instruction for Next Agent but also the Settlement Time Field is set in the MX. When mapping back to MT, data could be lost. To keep in case of conversion from MX to MT and usage of both tags (i.e. Instruction for Next Agent and CLSTIME within one message) all data it is recommended to restrict the lines of tag Instruction for Next Agent to 5 x 35.
	F72: /INS/	Request Payload	CreditTransferTransactionInformation/PreviousInstructingAgent (INS) Note: None of the codes defined for use in MT field 72 are individually mapped with exception of code /INS/. The tag Instruction for Next Agent is aligned as equivalent of MT field F72 with format 6 x 35. Same restriction as for settlement time request should be applied.

6.2.3.5 FinancialInstitutionCreditTransferV03_pacs.009.001.03 (simplified)

The FinancialInstitutionCreditTransfer message pacs.009.001.03 (simplified) serves as MX equivalent to the MT 202 (simplified). It is sent by a HAM account holder to HAM or vice versa.

Following the “like-for-like” approach the pacs.009.001.03 (simplified) message has been restricted according to fields, options and format of MT 202 (simplified) currently to be used in TARGET2.

Nevertheless some values have been moved to a different place in the MX message in comparison to the related MT field:

MT 202		Pacs.009.001.03 (simplified)	
User header	Banking Priority	Request Payload	SettlementPriority

6.2.3.6 FinancialInstitutionDebitTransferV03_pacs.010.001.01 (draft)

The pacs.010 is pretty stable and may be used. Now it is possible to register the message as a SWIFT message as pacs.010.001.01 with the SWIFT namespace, which allows the message to be provisioned on the SWIFT Network by end of 2013. The message has been reviewed in detail and will be shortly registered in the SWIFT dictionary, which guarantees that no further changes are required for the finalised message.

Any subsequent changes will have to be applied to a new version of the message and can be frozen as of now (except for the namespace change –removal of the DRAFT reference and change from ISO 20022 to SWIFT in the URN).

Following the “like-for-like” approach the pacs.010.001.01 message has been restricted according to fields, options and format of MT 204 currently to be used in TARGET2.

Nevertheless some values have been moved to a different place in the message:

MT 204		Pacs.010.001.01 (draft)	
User header	Banking Priority	Request Payload	Settlement Priority
Text block	F72: /TILTIME/ /FROTIME/ /REJTIME/	Request Payload	Settlement Time Request: Till Time From Time Reject Time Note: The tag Instruction for Next Agent is aligned as equivalent of MT field F72 with format 6 x 35. Following scenario could be possible: A bank places 6 x 35 free format data into the Instruction for Next Agent but also one or more Settlement Time Fields are set in the MX. When mapping back to MT, data could be lost. To keep in case of conversion from MX to MT and usage of these tags (e.g. Instruction for Next Agent and FROTIME within one message) all data it is recommended to restrict the lines of tag Instruction for Next Agent accordingly.

Registration of the message with ISO 20022

As a longer term approach, the draft will be submitted by SWIFT to ISO by end of 2013 documented by an ISO 20022 business justification for ISO registration of the message.

6.2.4 Cash flow management messages

The transfer of functionalities available in the MT standards (MT 900 and MT 910) to the corresponding ISO 20022 standards according to the “like-for-like” approach a restriction of the ISO 20022 MX equivalents has been performed.

The restrictions that apply to the ISO 20022 messages are provided in more detail in the annex 4 – messages of the GFS for cash flow management messages used in TARGET2.

6.2.4.1 BankToCustomerCreditDebitNotificationV03 _camt.054.~~001.03~~ (credit)

Credit notification is similar for all payments. The specification for modules is given below (further details about usage of TARGET2 modules will be provided in annex 4 – messages):

	<u>BANKTOCUSTOMERDEBITCREDITNOTIFICATIONV03 CAMT.054.001.03 (credit)</u>	<u>Mapping to MT 910</u>
Payment Initiation	ASI, PM, HAM	
Priority of payment		
ISO message type	camt.054 via SWIFTNet (no Y-copy)	
Sender of this message	DN of the ASI, PM, HAM	
Receiver of this message	DN of the participant computed from BIC account holder.	
Fields	Ntry/NtryRef: Entry Reference, TRN assigned by ASI, PM, HAM	F20
	• EndToEndId: End-to-end identification	F21
	• Acct/Id: Account Identification RTGS main account or sub-account credited for ancillary system. In case the notification is sent to indicate a credit on a HAM account, the account number of the respective HAM account is entered in the field.	F25
	• Ntry/Amt & TxDtIs/Amt: Amount	F32A Amount
	• ValDat/Dt: Value Date	F32A Date
	• DbtrAcct: Debtor account It contains the sender of the related payment message. For internal payments generated directly by the SSP modules (SF interest, RM interest and penalties) it contains the BIC of the CB of the debtor. <u>For mandated payments sent by an AS on behalf of a Settlement Bank, it contains the BIC of the AS. If it is sent by the CB on behalf of a Settlement Bank, it contains the BIC of the CB.</u> <u>In details, it is:</u> <u>ASI:</u> <u>- Execution of Standing orders and current</u>	F52A



**General Functional Specification of the
MX / ISO 20022 migration**

	<u>BANKTOCUSTOMERDEBITCREDITNOTIFICATIONV03 CAMT.054.001.03 (credit)</u>	<u>Mapping to MT 910</u>
	<p><u>orders sent by Settlement Banks via ICM: BIC of the Settlement Bank</u></p> <p><u>- Execution of LiquidityCreditTransfer sent in A2A via ICM by Settlement Bank</u></p> <p><u>BIC of the Settlement Bank</u></p> <p><u>- pacs.009.001.03 sent by a Settlement Bank</u></p> <p><u>BIC of the Settlement Bank</u></p> <p><u>- Back Transfer of liquidity ordered with End of Procedure</u></p> <p><u>BIC of the AS when closed via ICM</u></p> <p><u>BIC AS in SubjectDetails (if filled) else BIC AS sender of ReturnGeneralBusinessInformation</u></p> <p><u>- End of Procedure by SSP at End of Business day</u></p> <p><u>BIC TRGTXEPMAS</u></p> <p><u>- Others cases (including Mandated Payment):</u></p> <p><u>BIC AS in Initiating Party (if filled) else BIC sender of the ASTransferInitiation.</u></p>	
	<ul style="list-style-type: none"> • <RltdAgts>: Related Agents It is equal to the account debited if different from the Ordering Institution 	F56A
	<ul style="list-style-type: none"> • AddtlTxInf: Additional Transaction Information 	F72

6.2.4.2 BankToCustomerCreditDebitNotificationV03 _camt.054.001.03 (debit)

Debit notification is similar for all payments. The specification is given below (further details about usage of TARGET2 modules will be provided in annex 4 – messages):

	<u>BANKTOCUSTOMERDEBITCREDITNOTIFICATIONV03 CAMT.054.001.03 (debit)</u>	<u>Mapping to MT 900</u>
Payment Initiation	ASI, PM, HAM	



**General Functional Specification of the
MX / ISO 20022 migration**

	BANKTOCUSTOMERDEBITCREDITNOTIFICATIONV03 CAMT.054-001-03 (debit)	Mapping to MT 900
Priority of payment		
ISO message type	camt.054 via SWIFTNet (no Y-copy)	
Sender of this message	DN of the ASI, PM, HAM	
Receiver of this message	DN of the participant computed from BIC account holder.	
Fields	<ul style="list-style-type: none"> Ntry/NtryRef: Entry Reference, TRN assigned by ASI, PM, HAM 	F20
	<ul style="list-style-type: none"> InstrId: Instruction Identification (DEBIT) 	F21
	<ul style="list-style-type: none"> Acct/Id: Account Identification RTGS main account or sub-account debited for ancillary system. In case the notification is sent to indicate a debit on a HAM account, the account number of the respective HAM account is entered in the field. 	F25
	<ul style="list-style-type: none"> Ntry/Amt & TxDtls/Amt: Amount 	F32A Amount
	<ul style="list-style-type: none"> ValDat/Dt: Value Date 	F32A Date
	<ul style="list-style-type: none"> DbtrAcct: Debtor account <u>It contains the sender of the related payment message. For internal payments generated directly by the SSP modules (SF interest, RM interest and penalties) it contains the BIC of the CB of the debtor.</u> <u>For mandated payments sent by an AS on behalf of a Settlement Bank, it contains the BIC of the AS. If it is sent by the CB on behalf of a Settlement Bank, it contains the BIC of the CB.</u> <u>In details, it is:</u> <u>ASI:</u> <u>- Execution of Standing orders and current orders sent by Settlement Banks via ICM: BIC of the Settlement Bank</u> 	F52A



	BANKTOCUSTOMERDEBITCREDITNOTIFICATIONV03 CAMT.054-001-03 (debit)	Mapping to MT 900
	<p><u>- Execution of LiquidityCreditTransfer sent in A2A via ICM by Settlement Bank</u></p> <p><u>BIC of the Settlement Bank</u></p> <p><u>- pacs.009.001.03 sent by a Settlement Bank</u></p> <p><u>BIC of the Settlement Bank</u></p> <p><u>- Back Transfer of liquidity ordered with End of Procedure</u></p> <p><u>BIC of the AS when closed via ICM</u></p> <p><u>BIC AS in SubjectDetails (if filled) else BIC AS sender of ReturnGeneralBusinessInformation</u></p> <p><u>- End of Procedure by SSP at End of Business day</u></p> <p><u>BIC TRGTXEPMAS!</u></p> <p><u>- Others cases (including Mandated Payment):</u></p> <p><u>BIC AS in Initiating Party (if filled) else BIC sender of the ASTransferInitiation.</u></p>	
	<ul style="list-style-type: none"> • AddtlTxInf: Additional Transaction Information 	F72

6.3 Error codes

The error codes related to PM (Y-copy), HAM (V-shape) for will be adopted by the new XML-messages will following the "like-for-like" approach, i.e. oriented on respectively by transforming the already existing FIN error codes.

In case of error the refusal reason information will be provided within element <ThirdPartyRefusalReason> by SWIFT xsys.003 message which serves as MX equivalent to field F 432 Abort Reason of MT 019. The element <ThirdPartyRefusalReason> requires at least one child element (<T2YCpyErr>) with content current abort reason codes used for FIN Y-copy service.

The mapping of all FIN error codes in detail has still to be evaluated.

7 Restart after Disaster

In order to cope with disaster scenario, TARGET2 provides in cooperation with SWIFT a special reconstruction process for recovery and re-settlement of the following FIN messages:

- MT 096, 097 (Y-copy)
- MT 103, 103+, 202, 202 COV, MT204 (only input message)
- MT 202 (only output message of PM)
- MT 012, 019 (input messages for HAM)

For ISO 20022 pacs messages also a bulk retrieval functionality is provided.

Bulk retrieval for InterAct Store-and-Forward

InterAct Store-and-Forward offers users the possibility to retrieve the traffic of the previous 24 hours in a bulk file. This is typically useful for users who run systems that use asynchronous replication between sites. In such cases an unexpected site switchover may result in the loss of information that had not yet been replicated.

The retrieval request is sent online by means of a system message request. SWIFT delivers the corresponding bulk file(s) using FileAct Store-and-Forward.

The bulk retrieval request, `xsys.013`, is sent to request the generation of a set of bulk retrieval files. This retrieval request specifies a time range of all store-and-forward InterAct and FileAct data that was sent and received by all messaging interfaces for all Store-and-Forward services for the BIC8 that requested the retrieval. The maximum time range that can be specified is one hour. The sender of the bulk retrieval request, identified in the `AuthorisationContext` within the `ExchangeRequest` must have the RBAC role "SnFRetriever" on the SWIFT service on which the system message is sent. This service is "swift.snf.system" for retrieving live traffic and "swift.snf.system!p" for retrieving pilot traffic.

The files are generated and queued within the notification queue. The notifications for the bulk retrieval files are like any other notifications. The files are fetched like any other Store-and-Forward FileAct file.

The response to the bulk retrieval requests is `xsys.014`, bulk retrieval report. This report is queued after the files have been generated in the notification queue used for the bulk retrieval request. It is used to check which files have been generated.

To cope with mass retrieval of ISO 20022 messages it is required to implement a new Restart after Disaster (RAD) client in TARGET2. The functionality of the new Restart after Disaster will be equal to the functionality of the present RAD client.

8 Open Issues

Open Point	Status update
SWIFT network validation.	Network validation <u>should to</u> be kept as SWIFT service ("like-for-like" approach). <u>Currently under investigation by SWIFT. To be checked and agreed with SWIFT.</u>
Usage BIC in test environment.	Details still under investigation by 3CB in cooperation with SWIFT.
Warehoused payments during migration weekend.	Operational issue to be investigated later.
For the pacs messages COVER and STP the definition of different variants respective request types has to be investigated to enable a distinction of "core" messages pacs.008 and pacs.009.	Currently under investigation by SWIFT.
The mapping of all FIN error codes	Has still to be evaluated in detail.
MT header field F113 – characters 3 + 4 are not reflected in MX.	<u>In order to provide detailed information concerning the potential mapping of the 3rd and 4th characters of field tag 113 to the message business payload SWIFT requires a clear explanation of how these characters are being used in the current environment. To be investigated by SWIFT.</u>
Avoid as much as possible the re-entering of registration information that was already provided in the context of the equivalent FIN-Copy service.	The possible new registration for the new SWIFTNet copy service needs to be considered for further investigation by SWIFT. <u>This issue will be progressed as part of the overall project.</u>

Annex 1 – Aggregated view of first user consultation on ISO 20022⁵

First user consultation on ISO 20022

Key issues	Proposal	AT	BE	BG	CY	DE	DK	EE	ES	FI	FR	GR	IE	IT	LT	LU	LV	MT	NL	PL	PT	RO	SI	SK	TWG
1	All the modules of TARGET2 should migrate at the same time.																								
2	Beyond payment related messages, the migration should also include the MX equivalent messages of MT 204, MT 900 and MT 910, but not the equivalents of MT 940 and MT 950.																								
3	ASI proprietary MX messages should be excluded from the migration.																								
4	Changes to the ICM design (for the U2A access) should be kept to a minimum.																								
5	The payment flow should be kept the same as with the current MT set of messages.																								

	Support
	Neutral
	Object
	No reply

⁵ Source: WGT2_2013_132_Outcome_of_the_ISO_20022_first_user_consultation

Annex 2 – Selected comments of first user consultation on ISO 20022⁶

Key issue (see annex 1)	Country	Comment
1	ES	One participant asked if a contingency plan is foreseen in case that the MX messages do not rightly work.
1	IT	One bank underlined the relevance of the testing phase in order to minimise the risk of a failure of the migration.
2	BE	We are in favour to not only include the currently available fields (like-for-like), but to also include the EndToEndReference in order to forward urgent SEPA Credit Transfers to Target2 without the need to drop fields in the customer's instruction.
2	BG	One bank is of the opinion that migration of MT 900 and MT 910 to MX will also require a lot of migration effort in back office platforms. As most of these platforms usually make use of MT940 and MT950 messages as well, they would like to recommend that MT 910 and MT 900 migration should be scheduled along with that of MT940 and MT950.
2	DE	A participant stressed that if there will be a general move in the market to MX for MT940/950, TARGET2 should follow. Another participant lined out that a MX-migration of MT 940/950 should follow at a later stage depending on the evolution of the camt-standard.
2	GR	The majority of the Greek Banking Community prefers MT940 and MT950 also migrate to their HVP MX equivalents.
2	LV	One participant indicated interest for early migration of MT940 message.
2	MT	Two participants had no comment on this proposal, one agreed and one expressed the feeling that MT 900, MT 910, MT940 and MT 950 should not at all be migrated.
2	RO	Two participants considered that MT940 and MT950 should migrate to HVP equivalents at the same time as MT 900 and MT 910, as these messages are used by the same back office platforms for similar purposes. In addition, they underlined that there is no reference of MT 012 and MT 019 in the migration strategy and they would like to know whether there is any provision of MX equivalent for this kind of messages.
4	DE	One participant explicitly outlined that the content of the messages should be translated into a readable format like today.

⁶ Source: WGT2_2013_132_Outcome_of_the_ISO_20022_first_user_consultation



**General Functional Specification of the
MX / ISO 20022 migration**

5	AT	The Austrian banking community is looking forward to more detail on solutions that will be used in the SWIFTNet MX environment regarding routing and addressing noting the current differences in the SWIFT MT and MX environments
5	DE	One participant mentioned its assumption that using SWIFTNet Y-copy for PM transactions i.e. the MX-equivalents of e.g. MT 202 or 103 as of November 2017 should be technically based on the InterAct(S&F) Service.
5	NL	We are looking forward to more detail on solutions that will be used in the SWIFTNet MX environment regarding routing and addressing noting the current differences in the SWIFT MT and MX environments
5	TWG	It is considered essential that the transport network used is transparent to users, subject possibly to an interface upgrade only.
	TWG	Whilst the TWG agrees with the proposals outlined in the consultation, we would like to stress that automated conversion to and from the equivalent MT messages will be essential for processing efficiency and to ensure it is possible to maintain existing STP capability. It is therefore important that the MX messages content will be restricted to the corresponding MT data and any improper use of message formats leading to non-STP must be avoided once implemented. This is also important since pending global agreement on an ISO 20022 syntax for correspondent banking, it will be necessary to map between MX and MT and vice versa for an indefinite period.



Annex 3 – Central Bank Services

Annex 3 contains services provided only to central banks.



Annex 4 – Mapping tables MX to MT

Annex 4 provides mapping details of ISO 2022 payments clearing and settlement messages for customer and financial institution credit transfers (pacs.008 and pacs.009), financial institution debit transfer (pacs.010 (draft)) and cash management messages to inform about debits and credits (camt.054).

The objective ~~was~~ is to show the mapping of the ISO 2022 standards following the “like-for-like” approach to the functionality available for the corresponding MT standards (MT 103 (STP), MT 202 (COV), MT 900 and MT 910) in TARGET2.

Hence the following implementation guidelines focus to provide an overview about the TARGET2 rules that apply to the ISO 2022 messages and highlight how to use the messages in scope of the ISO 2022 MX migration in TARGET2.

Tag Name	Global ISO20022 Multiplicity	XML Tag	Type / Code Change	"Like for Like" Multiplicity Change	TARGET2 Rule	Mapping FIN to XML
FI To FI Customer Credit Transfer V03 (pacs.008.001.03)		<FIToFICstmrCdtTrf>				
Group Header	[1..1]	<GrpHdr>				
Message Identification	[1..1]	<MsgId>			If no unique MessageIdentification can be generated, then the element is recommended to be populated with a copy of InstructionIdentification. The MessageIdentification has to be unique for all messages for a period of 5 business days, per RequestorDN.	
Creation Date Time	[1..1]	<CreDtTm>				
Number Of Transactions	[1..1]	<NbOfTxs>			Value "1" only is authorised.	
Settlement Information	[1..1]	<SttlmInf>				
Settlement Method	[1..1]	<SttlmMtd>			Code "CLRG" must be used .	Settlement Method implicit in MTs and derived from the presence of certain elements.
Clearing System [CLRG]						
Settlement Account	[0..1]	<SttlmAcct>			Usage as Mandated Payment: Not used by TARGET 2.	MT 103 field 53B Sender's Correspondent (option 53B - account to be debited)
Identification	[1..1]	<Id>				
Other Identification	[1..1]	<Othr>				
Identification	[1..1]	<Id>	Max34Text -> RestrictedFINXMax34 Text			MT 103 field 53B Sender's Correspondent Account
Instructing Reimbursement Agent	[0..1]	<InstgRbrsmntAgt>			Usage as MandatedPayment: not used by TARGET 2.	MT 103 field 53a Sender's Correspondent
Financial Institution Identification	[1..1]	<FinInstnId>				
BICFI	[0..1]	<BICFI>				MT 103 field 53A Sender's Correspondent BIC
Clearing System Member Identification	[0..1]	<ClrSysMmbld>			Total length of Clearing System Identification (taking conversion table into account) combined with Member Identification must not be longer than 33 characters.	
Clearing System Identification	[0..1]	<ClrSysId>				
Proprietary	[1..1]	<Prtry>				
Member Identification	[1..1]	<Mmbld>	Max35Text -> RestrictedFINXMax35 Text			
Name	[0..1]	<Nm>	Max140Text -> RestrictedFINXMax70 Text			MT 103 field 53D Sender's Correspondent Name
Postal Address	[0..1]	<PstlAdr>				
Address Line	[0..7]	<AdrLine>	Max70Text -> RestrictedFINXMax35 Text	Multiplicity changed [0,7]-> [0,3]		MT 103 field 53D, Sender's Correspondent Address or Field 53B, Sender's Correspondent Location
Instructing Reimbursement Agent Account	[0..1]	<InstgRbrsmntAgtAcct>			Usage as Mandated Payments: not used by TARGET 2.	MT 103 field 53a Sender's Correspondent - Party Identifier
Identification	[1..1]	<Id>				
Other	[1..1]	<Othr>				

Tag Name	Global ISO20022 Multiplicity	XML Tag	Type / Code Change	"Like for Like" Multiplicity Change	TARGET2 Rule	Mapping FIN to XML
Identification	[1..1]	<id>	Max34Text -> RestrictedFINXMax34 Text			MT 103 field 53A or field 53D, Sender's Correspondent Account
Instructed Reimbursement Agent	[0..1]	<InstdRmbrsmntAgt>			Usage as Mandated Payments: not used by TARGET 2.	MT 103 field 54a Receiver's Correspondent
Financial Institution Identification	[1..1]	<FinInstnId>				
BICFI	[0..1]	<BICFI>				MT 103 field 54A Receiver's Correspondent BIC
Clearing System Member Identification	[0..1]	<ClrSysMmbld>			Total length of Clearing System Identification (taking conversion table into account) combined with Member Identification must not be longer than 33 characters.	
Member Identification	[1..1]	<Mmbld>	Max35Text -> RestrictedFINXMax35 Text			
Name	[0..1]	<Nm>	Max140Text -> RestrictedFINXMax70 Text			MT 103 field 54D, Receiver's Correspondent Name
Postal Address	[0..1]	<PstlAdr>				
Address Line	[0..7]	<AdrLine>	Max70Text -> RestrictedFINXMax35 Text	Multiplicity changed [0,7]-> [0,3]		Field 54D: Receiver's Correspondent Address or Field 54B: Receiver's Correspondent Location
Instructed Reimbursement Agent Account	[0..1]	<InstdRmbrsmntAgtAcc>			Usage as Mandated Payments: Not used by TARGET 2.	MT 103 field 54a Receiver's Correspondent - Party Identifier
Identification	[1..1]	<id>				
Other Identification	[1..1]	<Othr>				
Identification	[1..1]	<id>	Max34Text -> RestrictedFINXMax34 Text			MT 103 field 54A or 54D: Receiver's Correspondent Account
Third Reimbursement Agent	[0..1]	<ThrdRmbrsmntAgt>			Usage as Mandated Payment: Not used by TARGET 2.	MT 103 field 55a Third Reimbursement Institution
Financial Institution Identification	[1..1]	<FinInstnId>				MT 103 field 55A, Third Reimbursement Institution BIC
Clearing System Member Identification	[0..1]	<ClrSysMmbld>			Total length of Clearing System Identification (taking conversion table into account) combined with Member Identification must not be longer than 33 characters.	
Member Identification	[1..1]	<Mmbld>	Max35Text -> RestrictedFINXMax35 Text			
Name	[0..1]	<Nm>	Max140Text -> RestrictedFINXMax70 Text			MT 103 field 55A, Third Reimbursement Institution Name
Postal Address	[0..1]	<PstlAdr>				
Address Line	[0..7]	<AdrLine>	Max70Text -> RestrictedFINXMax35 Text	Multiplicity changed [0,7]-> [0,3]		MT 103 field 55D: Third Reimbursement Institution Address or Field 55B: Third Reimbursement Institution Location
Third Reimbursement Agent Account	[0..1]	<ThrdRmbrsmntAgtAcc>			Usage as Mandated Payment: Not used by TARGET 2.	MT 103 field 55a Third Reimbursement Institution - Party Identifier
Identification	[1..1]	<id>				
Other	[1..1]	<Othr>				

Tag Name	Global ISO20022 Multiplicity	XML Tag	Type / Code Change	"Like for Like" Multiplicity Change	TARGET2 Rule	Mapping FIN to XML
Identification	[1..1]	<id>	Max34Text -> RestrictedFINXMax34 Text			MT 103 field 55A or 55D: Third Reimbursement Institution Account
Credit Transfer Transaction Information	[1..*]	<CdtTrfXlnf>		Non-Repetitive		
Payment Identification	[1..1]	<PmtId>				
Instruction Identification	[0..1]	<InstrId>	Max35Text -> RestrictedFINMax16T ext	Mandatory		MT 103 field 20 Sender's Reference
End To End Identification	[1..1]	<EndToEndId>			If the content of the End To End Identification has to be carried across the payment chain end to end, then it is recommended to capture it as part of the Remittance Information. If no End To End Identification is provided by the Debtor, then the element must be populated with "NOTPROVIDED".	MT 103 field 70 Remittance Information with code /ROC/
Transaction Identification	[1..1]	<TxId>			If no unique TransactionIdentification can be generated, then the element is recommended to be populated with a copy of InstructionIdentification. This field will be ignored by Target 2.	
Payment Type Information	[0..1]	<PmtTplnf>				
Service Level	[0..1]	<SvcLvl>				
Code	[1..1]	<Cd>				MT 103 field 23E Instruction Code with code SDVA.
Local Instrument	[0..1]	<LclInstrm>				In the MT 103 the codes are used to indicate whether the message is sent under a SWIFT service level agreement (SLA). Although these SLAs have been defined specifically for the MT 103, the codes have also been used outside of MT 103 specific SLAs, under bilateral or community agreement between correspondents. To cater for these cases, the codes can be mapped to LocalInstrument in the pacs.008.
Proprietary	[1..1]	<Prtry>				MT 103 STP field 23B Bank Operation Code (CRED, SPAY, SSTD, SPRI, CRTS)
Category Purpose	[0..1]	<CtgyPurp>				
Code	[1..1]	<Cd>				MT 103 field 23E Instruction Code with codes INTC or CORT
Interbank Settlement Amount	[1..1]	<IntrBkSttlmAmt>	ActiveCurrencyAndA mount -> RestrictedFINActiveC urrencyAndAmount		Only "EUR" is valid currency	MT 103 field 32A Value Date, Currency Code, Interbank Settled Amount, subfield 2+3 Currency, Amount
Interbank Settlement Date	[0..1]	<IntrBkSttlmDt>		Mandatory	Payments can be sent for the current business day and up to five TARGET working days in advance. Exception: Value date check is switched off for the sender's RTGS account by the responsible CB or TARGET2-OT.	MT 103 field 32A Value Date, Currency Code, Interbank Settlement Amount, subfield 1 Date
Settlement Priority	[0..1]	<SttlmPrty>				MT 103 user header field 113 Banking priority
Urgent [URGT]					Urgent = URGT is in TARGET2 defined as highly urgent priority	
High [HIGH]					High = HIGH is in TARGET2 defined as urgent priority	

Tag Name	Global ISO20022 Multiplicity	XML Tag	Type / Code Change	"Like for Like" Multiplicity Change	TARGET2 Rule	Mapping FIN to XML
Normal [NORM]					Normal = NORM is in TARGET2 defined as normal priority	
Settlement Time Indication	[0..1]	<StlmTmIndctn>			Settlement Time Indication, if used, must be quoted in CET and must contain the offset against UTC.	MT 103 field 13C Time Indication
Debit Date Time	[0..1]	<DbtDtTm>			HAM: In the outgoing messages it contains the settlement time. Note: ii and nn are the hours and minutes of UTC shift.	MT 202 field 13C Time Indication: • /SNDTIME/hhmm+iinn
Credit Date Time	[0..1]	<CdtDtTm>				
Settlement Time Request	[0..1]	<StlmTmReq>			Settlement Time Request, if used, must be quoted in CET and must contain the offset against UTC.	
CLS Time	[0..1]	<CLSTm>			Time Indication (CLSTIME) This tag can be used to set an execution time: hh:mm:ss.sss+/-ii:nn hh:mm:ss.sss must be before the cut-off time for customer payments (17.00 under normal circumstances) Note: ii and nn are the hours and minutes of UTC shift whereas the „hh:mm:ss.sss“ are to be filled with the local time of the user. But note that tag (CLSTIME) is ignored by TARGET2, if tag (TILTIME) or (REJTIME) is used.	MT 103 field 72 Sender to Receiver Information, code /CLSTIME/.
Till Time	[0..1]	<TillTm>			TillTime must only be used when agreed bilaterally or within a community. Time Indication (TILTIME) This tag can be used to set an execution time: hh:mm:ss.sss+/-ii:nn hh:mm:ss.sss must be before the cut-off time for customer payments (17.00 under normal circumstances) Note: ii and nn are the hours and minutes of UTC shift whereas the „hh:mm:ss.sss“ are to be filled with the local time of the user.	MT 103 field 13C Time Indication, code /TILTIME/.
From Time	[0..1]	<FrTm>			FromTime must only be used when agreed bilaterally or within a community. Time Indication (FROTIME) This tag can be used to set an execution time: hh:mm:ss.sss+/-ii:nn hh:mm:ss.sss must be before the cut-off time for customer payments (17.00 under normal circumstances) Note: ii and nn are the hours and minutes of UTC shift whereas the „hh:mm:ss.sss“ are to be filled with the local time of the user. If TILTIME and REJTIME are both mentioned only the first one is used by TARGET2.	MT 103 field 13C Time Indication, code /FROTIME/.
Reject Time	[0..1]	<RjctTm>			RejectTime must only be used when agreed bilaterally or within a community. Time Indication (REJTIME) This tag can be used to set an execution time: hh:mm:ss.sss+/-ii:nn hh:mm:ss.sss must be before the cut-off time for customer payments (17.00 under normal circumstances) Note: ii and nn are the hours and minutes of UTC shift whereas the „hh:mm:ss.sss“ are to be filled with the local time of the user. If TILTIME and REJTIME are both mentioned only the first one is used by TARGET2.	MT 103 field 13C Time Indication, code /REJTIME/.

Tag Name	Global ISO20022 Multiplicity	XML Tag	Type / Code Change	"Like for Like" Multiplicity Change	TARGET2 Rule	Mapping FIN to XML
Instructed Amount	[0..1]	<InstdAmt>	ActiveOrHistoricCurrencyAndAmount -> RestrictedFINActiveOrHistoricCurrencyAndAmount			MT 103 field 33B Currency/Instructed Amount, also for charges.
Exchange Rate	[0..1]	<XchgRate>				MT 103 field 36 Exchange Rate
Charge Bearer Borne By Debtor [DEBT] Borne By Creditor [CRED] Shared [SHAR]	[1..1]	<ChrgBr>				MT 103 field 71A Details of Charges MT 103 field 71A Details of Charges - OUR MT 103 field 71A Details of Charges - BEN MT 103 field 71A Details of Charges - SHA
Charges Information	[0..*]	<ChrgsInf>				
Amount	[1..1]	<Amt>	ActiveOrHistoricCurrencyAndAmount -> RestrictedFINActiveCurrencyAndAmount			MT 103 field 71F Sender's Charges or 71G Receiver's Charges
Agent	[1..1]	<Agt>				The party that has lifted charges (71F) or to which charges are due (71G) is implicit in the MT 103 and understood from the payment chain.
Financial Institution Identification	[1..1]	<FinInstnId>				
BICFI	[0..1]	<BICFI>				
Name	[0..1]	<Nm>				
Previous Instructing Agent	[0..1]	<PrvsInstgAgt>				MT 103 field 72 Sender to Receiver Information with code /INS/ Instructing Institution
Financial Institution Identification	[1..1]	<FinInstnId>				
BICFI	[0..1]	<BICFI>				
Intermediary Agent 1	[0..1]	<IntrmyAgt1>			Usage as Mandated Payment (to CB Customers in HAM): Not to be used.	MT 103 field 56a Intermediary Institution
Financial Institution Identification	[1..1]	<FinInstnId>				
BICFI	[0..1]	<BICFI>			☐	MT 103 field 56A, Intermediary Institution BIC
Clearing System Member Identification	[0..1]	<ClrSysMmbld>			Total length of Clearing System Identification (taking conversion table into account) combined with Member Identification must not be longer than 33 characters.	
Clearing System Identification	[0..1]	<ClrSysId>				
Code	[1..1]	<Cd>				MT 103 field 56A, Intermediary Institution National Clearing System Code
Proprietary	[1..1]	<Prtry>	Max35Text -> RestrictedFINXMax35Text			
Member Identification	[1..1]	<Mmbld>	Max35Text -> RestrictedFINXMax35Text			MT 103 field 56A: Intermediary Institution Additional Information
Intermediary Agent 1 Account	[0..1]	<IntrmyAgt1Acct>			Usage as Mandated Payment (to CB Customers in HAM): Not to be used.	MT 103 field 56a Intermediary Institution - Party Identifier

Tag Name	Global ISO20022 Multiplicity	XML Tag	Type / Code Change	"Like for Like" Multiplicity Change	TARGET2 Rule	Mapping FIN to XML
Identification	[1..1]	<id>				
Other	[1..1]	<Othr>				
Identification	[1..1]	<id>	Max34Text -> RestrictedFINXMax34 Text			MT 103 field 56A, Intermediary Institution Account
Debtor	[1..1]	<Dbtr>				MT 103 field 50a Ordering Customer.
Name	[0..1]	<Nm>	Max140Text -> RestrictedFINXMax70 Text			MT 103 field 50F or 50K Ordering Customer Name.
Postal Address	[0..1]	<PstlAdr>				
Street Name	[0..1]	<StrtNm>	Max70Text -> RestrictedFINXMax70 Text			MT 103 field 50F or 50K Ordering Customer Street Name.
Country	[0..1]	<Ctry>				MT 103 field 50F or 50K Ordering Customer Country Code.
Address Line	[0..7]	<AdrLine>	Max70Text -> RestrictedFINXMax35 Text	Multiplicity changed [0,7]-> [0,3]		MT 103 field 50F or 50K Ordering Customer Address.
Identification	[0..1]	<id>				
Organisation Identification	[1..1]	<OrgId>				
Any BIC	[0..1]	<AnyBIC>				MT 103 field 50A, Ordering Customer BIC
Private Identification	[1..1]	<PrvtId>				
Date And Place Of Birth	[0..1]	<DtAndPlcOfBirth>				
Birth Date	[1..1]	<BirthDt>				MT 103 field 50F Ordering Customer
Province Of Birth	[0..1]	<PrvcOfBirth>				MT 103 field 50F Ordering Customer
City Of Birth	[1..1]	<CityOfBirth>	Max35Text -> RestrictedFINXMax30 Text			MT 103 field 50F Ordering Customer
Country Of Birth	[1..1]	<CtryOfBirth>				MT 103 field 50F Ordering Customer
Other	[0..*]	<Othr>		Multiplicity changed [0,*]-> [0,2]		
Identification	[1..1]	<id>	Max35Text -> RestrictedFINXMax35 Text			MT 103 field 50F Ordering Customer Party Identifier
Scheme Name	[0..1]	<SchmeNm>		Mandatory		
Code	[1..1]	<Cd>				MT 103 field 50F Order Customer Party Identifier Code
Issuer	[0..1]	<Issr>	Max35Text -> RestrictedFINXMax35 Text			
Debtor Account	[0..1]	<DbtrAcct>				MT 103 field 50a Ordering Customer - Account
Identification	[1..1]	<id>				
IBAN	[1..1]	<IBAN>				MT 103 field 50A, 50F or 50K, Ordering Customer IBAN

Tag Name	Global ISO20022 Multiplicity	XML Tag	Type / Code Change	"Like for Like" Multiplicity Change	TARGET2 Rule	Mapping FIN to XML
Other Identification	[1..1] [1..1]	<Othr> <id>	Max34Text -> RestrictedFINXMax34 Text			MT 103 field 50A, 50F or 50K, Ordering Customer Account
Debtor Agent	[1..1]	<DbtrAgt>			Usage as Mandated Payment: Mandatory to debit the participant's account (and not CBs account). The BIC must be a direct participant, which is the account holder (no multi-addressee or addressable BIC is allowed).	MT 103 field 52a Ordering Institution
Financial Institution Identification	[1..1]	<FinInstnId>				
BICFI	[0..1]	<BICFI>				MT 103 field 50A, Ordering Institution BIC
Clearing System Member Identification	[0..1]	<ClrSysMmbld>			Total length of Clearing System Identification (taking conversion table into account) combined with Member Identification must not be longer than 33 characters.	
Clearing System Identification	[0..1]	<ClrSysId>				
Code	[1..1]	<Cd>				MT 103 field 52A, Ordering Institution (National Clearing System Code)
Proprietary	[1..1]	<Prtry>	Max35Text -> RestrictedFINXMax35 Text			
Member Identification	[1..1]	<Mmbld>	Max35Text -> RestrictedFINXMax35 Text			MT 103 field 52A: Ordering Institution (Additional Information)
Name	[0..1]	<Nm>	Max140Text -> RestrictedFINXMax70 Text			MT 103 field 52D, Ordering Customer Name
Postal Address	[0..1]	<PstlAdr>				
Address Line	[0..7]	<AdrLine>	Max70Text -> RestrictedFINXMax35 Text	Multiplicity changed [0,7]-> [0,3]		MT 103 field 52D, Ordering Institution Address
Debtor Agent Account	[0..1]	<DbtrAgtAcct>			Usage as Mandated Payment: Mandatory to debit the participant's account (and not CBs account). The BIC must be a direct participant, which is the account holder (no multi-addressee or addressable BIC is allowed).	MT 103 field 52a Ordering Institution - Party Identifier
Identification	[1..1]	<id>				
Other Identification	[1..1] [1..1]	<Othr> <id>	Max34Text -> RestrictedFINXMax34 Text			MT 103 field 52A or 52D, Ordering Institution Account
Creditor Agent	[1..1]	<CdtrAgt>				MT 103 field 57a Account With Institution
Financial Institution Identification	[1..1]	<FinInstnId>				
BICFI	[0..1]	<BICFI>			Usage as Mandated Payment (to CB Customer):BIC Beneficiary Institution (CB Customer) is mandatory.	MT 103 field 57A, Account with Institution BIC
Clearing System Member Identification	[0..1]	<ClrSysMmbld>			Total length of Clearing System Identification (taking conversion table into account) combined with Member Identification must not be longer than 33 characters.	
Clearing System Identification	[0..1]	<ClrSysId>				
Code	[1..1]	<Cd>				MT 103 field 57A, Ordering Institution National Clearing System Code

Tag Name	Global ISO20022 Multiplicity	XML Tag	Type / Code Change	"Like for Like" Multiplicity Change	TARGET2 Rule	Mapping FIN to XML
Proprietary	[1..1]	<Prtry>	Max35Text -> RestrictedFINXMax35 Text			
Member Identification	[1..1]	<Mmbld>	Max35Text -> RestrictedFINXMax35 Text			MT 103 field 57A, Ordering Institution Additional Information
Name	[0..1]	<Nm>	Max140Text -> RestrictedFINXMax70 Text			MT 103 field 57D, Ordering Institution Name
Postal Address	[0..1]	<PstlAdr>				
Address Line	[0..7]	<AdrLine>	Max70Text -> RestrictedFINXMax35 Text	Multiplicity changed [0,7]-> [0,3]		MT 103 field 57D, Ordering Institution Address
Creditor Agent Account	[0..1]	<CdtrAgtAcct>				MT 103 field 57a Account With Institution - Party Identifier
Identification	[1..1]	<id>				
Other Identification	[1..1]	<Othr>				
Identification	[1..1]	<id>	Max34Text -> RestrictedFINXMax34 Text			MT 103 field 57D, Account with Insitution Account
Creditor	[1..1]	<Cdtr>				MT 103 field 59a Beneficiary Customer
Name	[0..1]	<Nm>	Max140Text -> RestrictedFINXMax70 Text			MT 103 field 59 no letter option, Beneficiary Customer Name
Postal Address	[0..1]	<PstlAdr>				
Address Line	[0..7]	<AdrLine>	Max70Text -> RestrictedFINXMax35 Text	Multiplicity changed [0,7]-> [0,3]		MT 103 field 59 no letter option, Beneficiary Customer Address
Identification	[0..1]	<id>				
Organisation Identification	[1..1]	<OrgId>				
Any BIC	[0..1]	<AnyBIC>				MT 103 field 59A, Beneficiary Customer BIC
Creditor Account	[0..1]	<CdtrAcct>				MT 103 field 59a Beneficiary Customer Account
Identification	[1..1]	<id>				
IBAN	[1..1]	<IBAN>				MT 103 field 59A or no letter option, Beneficiary Customer IBAN
Other Identification	[1..1]	<Othr>				
Identification	[1..1]	<id>	Max34Text -> RestrictedFINXMax34 Text			MT 103 field 59A or no letter option, Beneficiary Customer Account
Instruction For Creditor Agent	[0..*]	<InstrForCdtrAgt>		Multiplicity changed [0,*]-> [0,4]		MT 103 field 23E Instruction Code or field 72 Sender to Receiver Information with code.
Code	[0..1]	<Cd>		Mandatory		MT 103 field 23E Instruction Code, code CHQB MT 103 field 23E Instruction Code, code HOLD MT 103 field 23E Instruction Code, code PHOB MT 103 field 23E Instruction Code, code TELB
Pay Creditor By Cheque [CHQB]						
Hold Cash For Creditor [HOLD]						
Phone Beneficiary [PHOB]						
Telecom [TELB]						

Tag Name	Global ISO20022 Multiplicity	XML Tag	Type / Code Change	"Like for Like" Multiplicity Change	TARGET2 Rule	Mapping FIN to XML
Instruction Information	[0..1]	<InstrInf>	Max140Text -> RestrictedFINXMax30Text			MT 103 field 23E, Instruction Code or field 72 Sender to Receiver Information (with codes).
Instruction For Next Agent	[0..*]	<InstrForNxtAgt>		Multiplicity changed [0,*]-> [0,6]		MT 103 field 72 Sender To Receiver Information. In case of transformation needs, the element has been aligned with a field 72 structure of 6 lines of 35 characters.
Instruction Information	[0..1]	<InstrInf>	Max140Text -> RestrictedFINXMax35Text			MT 103 field 72, Sender to Receiver Information. Field 23E, instruction codes (with codes HOLD, PHOB, TELB). MT codes REPA, PHOI, PHON, TELI and TELE are not mapped.
Purpose	[0..1]	<Purp>			If a Purpose of more than 3 alphanumeric characters needs to be communicated, then it is recommended to capture it as part of the Remittance Information.	
Proprietary	[1..1]	<Prtry>	Max35Text -> Exact3UpperCaseAlphaNumericText			MT 103 field 26T Transaction Type Code.
Regulatory Reporting	[0..10]	<RgltryRptg>		Non-Repetitive		MT 103 field 77B Regulatory Reporting
Details	[0..*]	<Dtls>		Non-Repetitive		MT 103 field 77B Regulatory Reporting
Information	[0..*]	<Inf>	Max35Text -> RestrictedFINXMax35Text	Multiplicity changed [0,*]-> [0,3]		
Remittance Information	[0..1]	<RmtInf>				
Unstructured	[0..*]	<Ustrd>	Max140Text -> RestrictedFINXMax140Text	Non-Repetitive		MT 103 field 70 Remittance Information

Tag Name	Global ISO20022 Multiplicity	XML Tag	Type / Code Change	"Like for Like" Multiplicity Change	TARGET 2 Rule	Mapping FIN to XML
FI To FI Customer Credit Transfer V03 (pacs.008.001.03)						
Group Header						
Message Identification	[1..1]	<MsgId>			If no unique MessageIdentification can be generated, then the element is recommended to be populated with a copy of InstructionIdentification. The message identification has to be unique for all messages for a period of 5 business days, per Requestor DN. Value "1" only is authorised.	
Creation Date Time	[1..1]	<CreDtTm>				
Number Of Transactions	[1..1]	<NbOfTx>				
Settlement Information	[1..1]	<SttlmInf>				
Settlement Method	[1..1]	<SttlmMtd>			Code "CLRG" must be used.	Settlement Method implicit in MTs and derived from the presence of certain elements.
Clearing System [CLRG]						
Settlement Account	[0..1]	<SttlmAcct>			Usage as Mandated Payment: Not used by TARGET 2.	MT 103 STP field 53B Sender's Correspondent (option 53B - account to be debited)
Identification	[1..1]	<Id>				
Other Identification	[1..1]	<Othr>				
Identification	[1..1]	<Id>	Max34Text -> RestrictedFINXMax34Text			MT 103 STP field 53B: Sender's Correspondent Account
Instructing Reimbursement Agent	[0..1]	<InstgRmbrsmntAgt>			Usage as Mandated Payment: Not used by TARGET 2.	MT 103 STP field 53a Sender's Correspondent
Financial Institution Identification	[1..1]	<FinInstnId>				
BICFI	[0..1]	<BICFI>			☐	MT 103 STP field 53A Sender's Correspondent BIC
Instructing Reimbursement Agent Account	[0..1]	<InstgRmbrsmntAgtAcct>			Usage as Mandated Payment: Not used by TARGET 2.	MT 103 STP field 53a Sender's Correspondent - Party Identifier
Identification	[1..1]	<Id>				
Other Identification	[1..1]	<Othr>				
Identification	[1..1]	<Id>	Max34Text -> RestrictedFINXMax34Text			MT 103 STP field 53A Sender's Correspondent Account
Instructed Reimbursement Agent	[0..1]	<InstdRmbrsmntAgt>			Usage as Mandated Payment: Not used by TARGET 2.	MT 103 STP field 54a Receiver's Correspondent
Financial Institution Identification	[1..1]	<FinInstnId>				
BICFI	[0..1]	<BICFI>			☐	MT 103 STP field 54A Receiver's Correspondent BIC
Instructed Reimbursement Agent Account	[0..1]	<InstdRmbrsmntAgtAcct>			Usage as Mandated Payment: Not used by TARGET 2.	MT 103 STP field 54a Receiver's Correspondent Party Identifier
Identification	[1..1]	<Id>				
Other Identification	[1..1]	<Othr>				
Identification	[1..1]	<Id>	Max34Text -> RestrictedFINXMax34Text		☐	MT 103 STP field 54A Receiver's Correspondent Account
Third Reimbursement Agent	[0..1]	<ThrdRmbrsmntAgt>			Usage as Mandated Payment: Not used by TARGET 2.	MT 103 STP field 55a Third Reimbursement Institution

Tag Name	Global ISO20022 Multiplicity	XML Tag	Type / Code Change	"Like for Like" Multiplicity Change	TARGET 2 Rule	Mapping FIN to XML
Financial Institution Identification	[1..1]	<FinInstnId>				
BICFI	[0..1]	<BICFI>				MT 103 STP field 55A Third Reimbursement Institution BIC
Third Reimbursement Agent Account	[0..1]	<ThrdRmbrsmntAgtAcct>			Usage as Mandated Payment: Not used by TARGET 2.	MT 103 STP field 55a Third Reimbursement Institution Party Identifier
Identification	[1..1]	<Id>				
Other Identification	[1..1]	<Othr>				
Identification	[1..1]	<Id>	Max34Text -> RestrictedFINMax34Text		☐	MT 103 STP field 55A Third Reimbursement Institution Account
Credit Transfer Transaction Information	[1..*]	<CdtTrfTxInf>		Non-Repetitive		
Payment Identification	[1..1]	<PmtId>				
Instruction Identification	[0..1]	<InstrId>	Max35Text -> RestrictedFINMax16Text	Mandatory		MT 103 STP field 20 Sender's Reference
End To End Identification	[1..1]	<EndToEndId>			If the content of the End To End Identification has to be carried across the payment chain end to end, then it is recommended to capture it as part of the Remittance Information. If no End To End Identification is provided by the Debtor, then the element must be populated with "NOTPROVIDED".	MT 103 STP field 70 Remittance Information with code /ROC/
Transaction Identification	[1..1]	<TxId>			If no unique TransactionIdentification can be generated, then the element is recommended to be populated with a copy of InstructionIdentification. This field will be ignored by TARGET 2.	
Payment Type Information	[0..1]	<PmtTpInf>				
Service Level	[0..1]	<SvcLvl>				
Code	[1..1]	<Cd>				MT 103 STP field 23E Instruction Code with code SDVA.
Local Instrument	[0..1]	<LclInstrm>				In the MT 103 the codes are used to indicate whether the message is sent under a SWIFT service level agreement (SLA). Although these SLAs have been defined specifically for the MT 103, the codes have also been used outside of MT 103 specific SLAs, under bilateral or community agreement between correspondents. To cater for these cases, the codes can be mapped to LocalInstrument in the pacs.008.
Proprietary	[1..1]	<Prtry>				MT 103 STP field 23B Bank Operation Code (CRED, SPAY, SSTD, SPRI, CRTS)
Category Purpose	[0..1]	<CtgyPurp>				
Code	[1..1]	<Cd>				MT 103 STP field 23E Instruction Code with codes INTC or CORT

Tag Name	Global ISO20022 Multiplicity	XML Tag	Type / Code Change	"Like for Like" Multiplicity Change	TARGET 2 Rule	Mapping FIN to XML
Interbank Settlement Amount	[1..1]	<IntrBkSttlmAmt>	ActiveCurrencyAndAmount - > RestrictedFINActiveCurrencyAndAmount		Only "EUR" is valid currency.	MT 103 STP field 32A Value Date, Currency Code, Interbank Settled Amount, subfield 2+3 Currency, Amount
Interbank Settlement Date	[0..1]	<IntrBkSttlmDt>		Mandatory	Payments can be sent for the current business day and up to five TARGET working days in advance. Exception: Value date check is switched off for the sender's RTGS account by the responsible CB or TARGET 2-OT.	MT 103 STP field 32A Value Date, Currency Code, Interbank Settlement Amount, subfield 1 Date
Settlement Priority Urgent [URGT] High [HIGH] Normal [NORM]	[0..1]	<SttlmPrty>			Urgent = URGT is in TARGET2 defined as highly urgent priority High = HIGH is in TARGET2 defined as urgent priority Normal = NORM is in TARGET2 defined as normal priority	MT 103 user header field 113 Banking priority
Settlement Time Indication	[0..1]	<SttlmTmIndctn>			Settlement Time Indication, if used, must be quoted in CET and must contain the offset against UTC.	MT 103 STP field 13C Time Indication
Debit Date Time	[0..1]	<DbtDtTm>				
Credit Date Time	[0..1]	<CdtDtTm>				
Settlement Time Request	[0..1]	<SttlmTmReq>			Settlement Time Request, if used, must be quoted in CET and must contain the offset against UTC.	
CLS Time	[0..1]	<CLSTm>			This tag can be used to set an execution time: hh:mm:ss.sss+/-ii:nn hh:mm:ss.sss must be before the cut-off time for customer payments (17.00 under normal circumstances) Note: ii and nn are the hours and minutes of UTC shift whereas the „hh:mm:ss.sss“ are to be filled with the local time of the user. But note that tag (CLSTm) is ignored by TARGET 2, if tag (TillTm) or (RjcTm) is used.	MT 103 (STP) field 72 Sender to Receiver Information, code /CLSTIME/.
Till Time	[0..1]	<TillTm>			TillTime must only be used when agreed bilaterally or within a community. This tag can be used to set an execution time: hh:mm:ss.sss+/-ii:nn hh:mm:ss.sss must be before the cut-off time for customer payments (17.00 under normal circumstances) Note: ii and nn are the hours and minutes of UTC shift whereas the „hh:mm:ss.sss“ are to be filled with the local time of the user.	MT 103 field 13C Time Indication, code /TILTIME/.
From Time	[0..1]	<FrTm>			FromTime must only be used when agreed bilaterally or within a community. This tag can be used to set an execution time: hh:mm:ss.sss+/-ii:nn hh:mm:ss.sss must be before the cut-off time for customer payments (17.00 under normal circumstances) Note: ii and nn are the hours and minutes of UTC shift whereas the „hh:mm:ss.sss“ are to be filled with the local time of the user. If TILTIME and REJTIME are both mentioned only the first one is used by TARGET 2.	MT 103 STP field 13C Time Indication, code /FROTIME/.

Tag Name	Global ISO20022 Multiplicity	XML Tag	Type / Code Change	"Like for Like" Multiplicity Change	TARGET 2 Rule	Mapping FIN to XML
Reject Time	[0..1]	<RjctTm>			Rule "" Use in Target 2"" RejectTime must only be used when agreed bilaterally or within a community. This tag can be used to set an execution time: hh:mm:ss.sss+/-ii:nn hh:mm:ss.sss must be before the cut-off time for customer payments (17.00 under normal circumstances) Note: ii and nn are the hours and minutes of UTC shift whereas the „hh:mm:ss.sss“ are to be filled with the local time of the user. If TILTIME and REJTIME are both mentioned only the first one is used by TARGET 2.	MT 103 STP field 13C Time Indication, code /REJTIME/.
Instructed Amount	[0..1]	<InstdAmt>	ActiveOrHistoricCurrencyAndAmount -> RestrictedFINActiveOrHistoricCurrencyAndAmount			MT 103 STP field 33B Currency/Instructed Amount, also for charges.
Exchange Rate	[0..1]	<XchgRate>			If the currency code of 'Instructed Amount' is different from the currency code of tag 'Interbank Settlement Amount', tag 'XchgRate' must be present, otherwise tag 'XchgRate' is not allowed.	MT 103 STP field 36 Exchange Rate
Charge Bearer Borne By Debtor [DEBT] Borne By Creditor [CRED] Shared [SHAR]	[1..1]	<ChrgBr>				MT 103 STP field 71A Details of Charges MT 103 STP field 71A Details of Charges - OUR MT 103 STP field 71A Details of Charges - BEN MT 103 STP field 71A Details of Charges - SHA
Charges Information	[0..*]	<ChrgsInf>				
Amount	[1..1]	<Amt>	ActiveOrHistoricCurrencyAndAmount -> RestrictedFINActiveCurrencyAndAmount			MT 103 STP field 71F Sender's Charges or 71G Receiver's Charges
Agent	[1..1]	<Agt>			If no agent information can be generated, it is recommended to put 'AS PER PAYMENT CHAIN' in the FinancialInstitution\Name.	The party that has lifted charges (71F) or to which charges are due (71G) is implicit in the MT 103 STP and understood from the payment chain.
Financial Institution Identification	[1..1]	<FinInstnId>				
BICFI	[0..1]	<BICFI>			If no agent information can be generated, it is recommended to put 'AS PER PAYMENT CHAIN' in the FinancialInstitution\Name. ☐	
Name	[0..1]	<Nm>			If no agent information can be generated, it is recommended to put 'AS PER PAYMENT CHAIN' in the FinancialInstitution\Name.	
Previous Instructing Agent	[0..1]	<PrvsInstgAgt>				
Financial Institution Identification	[1..1]	<FinInstnId>				
BICFI	[0..1]	<BICFI>				MT 103 STP field 72 Sender to Receiver information with code /INS/ Instructing Institution

Tag Name	Global ISO20022 Multiplicity	XML Tag	Type / Code Change	"Like for Like" Multiplicity Change	TARGET 2 Rule	Mapping FIN to XML
Intermediary Agent 1	[0..1]	<IntrmyAgt1>			Usage as Mandated Payment (to CB Customers in HAM): Not to be used.	MT 103 STP field 56a Intermediary Institution
Financial Institution Identification	[1..1]	<FinInstnId>				
BICFI	[0..1]	<BICFI>				MT 103 STP field 56A Intermediary Institution BIC
Clearing System Member Identification	[0..1]	<ClrSysMmbld>			Total length of Clearing System Identification (taking conversion table into account) combined with Member Identification must not be longer than 33 characters. ☒	
Clearing System Identification	[0..1]	<ClrSysId>				
Code	[1..1]	<Cd>				
Proprietary	[1..1]	<Prtry>	Max35Text -> RestrictedFINXMax35Text			MT 103 STP field 56A Intermediary Institution National Clearing System Code
Member Identification	[1..1]	<Mmbld>	Max35Text -> RestrictedFINXMax35Text			MT 103 STP field 56A Intermediary Institution Additional Information
Intermediary Agent 1 Account	[0..1]	<IntrmyAgt1Acct>			Usage as Mandated Payment (to CB Customers in HAM): Not to be used.	MT 103 STP field 56a Intermediary Institution Party Identifier
Identification	[1..1]	<Id>				
Other	[1..1]	<Othr>				
Identification	[1..1]	<Id>	Max34Text -> RestrictedFINXMax34Text			MT 103 STP field 56A Intermediary Institution Account
Debtor	[1..1]	<Dbtr>				MT 103 STP field 50a Ordering Customer.
Name	[0..1]	<Nm>	Max140Text -> RestrictedFINXMax70Text			MT 103 STP field 50F or 50K: Ordering Customer Name
Postal Address	[0..1]	<PstlAdr>				
Street Name	[0..1]	<StrtNm>	Max70Text -> RestrictedFINXMax70Text			MT 103 STP field 50F or 50K Ordering Customer Street Name
Town Name	[0..1]	<TwnNm>	Max35Text -> RestrictedFINXMax30Text			MT 103 STP field 50F or 50K Ordering Customer Town Name
Country	[0..1]	<Ctry>				MT 103 STP field 50F or 50K Ordering Customer Country Code
Address Line	[0..7]	<AdrLine>	Max70Text -> RestrictedFINXMax35Text	Multiplicity changed [0,7]-> [0,3]		MT 103 STP field 50F or 50K Ordering Customer Address
Identification	[0..1]	<Id>				
Organisation Identification	[1..1]	<OrgId>				
Any BIC	[0..1]	<AnyBIC>				MT 103 STP field 50A Ordering Customer BIC
Private Identification	[1..1]	<PrvtId>				
Date And Place Of Birth	[0..1]	<DtAndPlcOfBirth>				
Birth Date	[1..1]	<BirthDt>				MT 103 STP field 50F Ordering Customer

Tag Name	Global ISO20022 Multiplicity	XML Tag	Type / Code Change	"Like for Like" Multiplicity Change	TARGET 2 Rule	Mapping FIN to XML
City Of Birth	[1..1]	<CityOfBirth>	Max35Text -> RestrictedFINXMax30Text			
Country Of Birth	[1..1]	<CtrOfBirth>				
Other	[0..*]	<Othr>		Multiplicity changed [0,*]-> [0,2]		
Identification	[1..1]	<Id>	Max35Text -> RestrictedFINXMax35Text			MT 103 STP field 50F Ordering Customer Party Identifier
Scheme Name	[0..1]	<SchmeNm>		Mandatory		
Code	[1..1]	<Cd>				MT 103 STP field 50F Ordering Customer Party Identifier Code
Issuer	[0..1]	<Issr>	Max35Text -> RestrictedFINXMax35Text			
Debtor Account	[0..1]	<DbtrAcct>				MT 103 STP field 50a Ordering Customer Account
Identification	[1..1]	<Id>				
IBAN	[1..1]	<IBAN>				MT 103 STP field 50A, 50F or 50K Ordering Customer IBAN
Other	[1..1]	<Othr>				
Identification	[1..1]	<Id>	Max34Text -> RestrictedFINXMax34Text			MT 103 STP field 50A, 50F or 50K Ordering Customer Account
Debtor Agent	[1..1]	<DbtrAgt>				MT 103 STP field 52a Ordering Institution
Financial Institution Identification	[1..1]	<FinInstnId>				
BICFI	[0..1]	<BICFI>			Usage as Mandated Payment: In case of Mandated Payments tag DbtrAgt/FinInstnId/BICFI is mandatory to debit the participant's account (and not CBS account).The BIC must be a direct participant, which is the account holder (no multi-addressee or addressable BIC is allowed). ☒	MT 103 STP field 52A Ordering Institution BIC
Clearing System Member Identification	[0..1]	<ClrSysMmbld>			Total length of Clearing System Identification (taking conversion table into account) combined with Member Identification must not be longer than 33 characters.	
Clearing System Identification	[0..1]	<ClrSysId>				
Code	[1..1]	<Cd>				
Proprietary	[1..1]	<Prtry>	Max35Text -> RestrictedFINXMax35Text			MT 103 STP field 52A Ordering Institution National Clearing System Code
Member Identification	[1..1]	<Mmbld>	Max35Text -> RestrictedFINXMax35Text			MT 103 STP field 52A Ordering Institution Additional Information
Debtor Agent Account	[0..1]	<DbtrAgtAcct>				MT 103 STP field 52a Ordering Institution Party Identifier
Identification	[1..1]	<Id>				
Other	[1..1]	<Othr>				

Tag Name	Global ISO20022 Multiplicity	XML Tag	Type / Code Change	"Like for Like" Multiplicity Change	TARGET 2 Rule	Mapping FIN to XML
Identification	[1..1]	<id>	Max34Text -> RestrictedFINXMax34Text			MT 103 STP field 52A Ordering Institution Account
Creditor Agent	[1..1]	<CdtrAgt>				MT 103 STP field 57a Account With Institution
Financial Institution Identification	[1..1]	<FinInstnld>				
BICFI	[0..1]	<BICFI>			Usage as Mandated Payment (to CB Customers): BIC Creditor Agent is Mandatory ☑	MT 103 STP field 57A Account With Institution BIC
Clearing System Member Identification	[0..1]	<ClrSysMmbld>			Total length of Clearing System Identification (taking conversion table into account) combined with Member Identification must not be longer than 33 characters.	
Clearing System Identification	[0..1]	<ClrSysId>				
Code	[1..1]	<Cd>				
Proprietary	[1..1]	<Prtry>	Max35Text -> RestrictedFINXMax35Text			MT 103 STP field 57A Account With Institution National Clearing System Code
Member Identification	[1..1]	<Mmbld>	Max35Text -> RestrictedFINXMax35Text			MT 103 STP field 57A Account With Institution Additional Information
Creditor Agent Account	[0..1]	<CdtrAgtAcct>				MT 103 STP field 57a Account With Institution - Party Identifier
Identification	[1..1]	<id>				
Other	[1..1]	<Othr>				
Identification	[1..1]	<id>	Max34Text -> RestrictedFINXMax34Text			MT 103 STP field 57A Account With Institution Account
Creditor	[1..1]	<Cdtr>				MT 103 STP field 59a Beneficiary Customer
Name	[0..1]	<Nm>	Max140Text -> RestrictedFINXMax70Text			MT 103 STP field 59 no letter option: Beneficiary Customer Name
Postal Address	[0..1]	<PstlAdr>				
Address Line	[0..7]	<AdrLine>	Max70Text -> RestrictedFINXMax35Text	Multiplicity changed [0,7]-> [0,3]		MT 103 STP field 59 no letter option: Beneficiary Customer Address
Identification	[0..1]	<id>				
Organisation Identification	[1..1]	<OrgId>				
Any BIC	[0..1]	<AnyBIC>				MT 103 STP field 59A Beneficiary Customer BIC
Creditor Account	[0..1]	<CdtrAcct>		Mandatory		MT 103 STP field 59a Beneficiary Customer Account
Identification	[1..1]	<id>				
IBAN	[1..1]	<IBAN>				MT 103 STP field 59A or no letter option: Beneficiary Customer IBAN
Other	[1..1]	<Othr>				
Identification	[1..1]	<id>	Max34Text -> RestrictedFINXMax34Text			MT 103 STP field 59A or no letter option Beneficiary Customer Account

Tag Name	Global ISO20022 Multiplicity	XML Tag	Type / Code Change	"Like for Like" Multiplicity Change	TARGET 2 Rule	Mapping FIN to XML
Instruction For Next Agent	[0..*]	<InstrForNxtAgt>		Multiplicity changed [0..*]-> [0,6]		MT 103 STP field 72 Sender To Receiver Information. In case of transformation needs, the element has been aligned with a field 72 structure of 6 lines of 35 characters.
Instruction Information	[0..1]	<InstrInf>	Max140Text -> RestrictedFINXMax35Text		Usage as Mandated Payment: /MANPAY/ = codeword to indicate a Mandated Payment. ☐	
Purpose	[0..1]	<Purp>			If a Purpose of more than 3 alphanumeric characters needs to be communicated, then it is recommended to capture it as part of the Remittance Information.	
Proprietary	[1..1]	<Prtry>	Max35Text -> Exact3UpperCaseAlphanumericText			MT 103 STP field 26T Transaction Type Code.
Regulatory Reporting	[0..10]	<RgltryRptg>		Non-Repetitive		MT 103 STP field 77B Regulatory Reporting
Details	[0..*]	<DtIs>		Non-Repetitive		
Information	[0..*]	<Inf>	Max35Text -> RestrictedFINXMax35Text	Multiplicity changed [0..*]-> [0,3]		MT 103 STP field 77B Regulatory Reporting
Remittance Information	[0..1]	<RmtInf>				MT 103 STP field 70 Remittance Information
Unstructured	[0..*]	<Ustrd>	Max140Text -> RestrictedFINXMax140Text	Non-Repetitive		MT 103 STP field 70 Remittance Information

Tag Name	Global ISO20022 Multiplicity	XML Tag	Type / Code Change	"Like for Like" Multiplicity Change	TARGET 2 Rule	Mapping FIN to XML
Financial Institution Credit Transfer V03 (pacs.009.001.03)						
Group Header						
Message Identification	[1..1]	<GrpHdr> <MsgId>			If no unique MessageIdentification can be generated, then the element is recommended to be populated with a copy of InstructionIdentification. The message Identification has to be unique over all messages for a period of 5 business days per Requestor DN. For ASI notification assigned by ASI. Date an time at which the message was created. Value "1" must be stated.	
Creation Date Time	[1..1]	<CreDtM>				
Number Of Transactions	[1..1]	<NbOfTxs>				
Settlement Information	[1..1]	<SttlmInf>				
Settlement Method	[1..1]	<SttlmMtd>			Code 'CLRG' must be used.	Settlement Method implicit in MTs and derived from the presence of certain elements.
Clearing System [CLRG]						
Settlement Account	[0..1]	<SttlmAcct>				MT 202 field 53B Sender's Correspondent (option 53B - account to be debited)
Identification	[1..1]	<Id>				
Other Identification	[1..1]	<Othr> <Id>	Max34Text -> RestrictedFINXMax34Text			MT 202 field 53B Sender's Correspondent Account
Instructing Reimbursement Agent	[0..1]	<InstgRmbrsmntAgt>			Must not be filled in messages linked to ancillary system settlement	MT 202 field 53a Sender's Correspondent
Financial Institution Identification	[1..1]	<FinInstnId>				
BICFI	[0..1]	<BICFI>			In messages addressed to TRGTXPMT2S it is used to pull liquidity from the indicated DCA in T2S. Option A with the BIC of the DCA account holder and the DCA account ID to be debited is mandatory.	MT 202 field 53A Sender's Correspondent BIC
Clearing System Member Identification	[0..1]	<ClrSysMmbld>				
Member Identification	[1..1]	<Mmbld>	Max35Text -> RestrictedFINXMax35Text			
Name	[0..1]	<Nm>				MT 202 field 53D Sender's Correspondent Name
Postal Address	[0..1]	<PstIAdr>				
Address Line	[0..7]	<AdrLine>	Max70Text -> RestrictedFINXMax35Text	Multiplicity changed [0,7]-> [0,3]		MT 202 field 53D Sender's Correspondent Address MT 202 field 53B Sender's Correspondent Location
Instructing Reimbursement Agent Account	[0..1]	<InstgRmbrsmntAgtAcct>				MT 202 field 53a Sender's Correspondent - Party Identifier
Identification	[1..1]	<Id>				
Other Identification	[1..1]	<Othr> <Id>	Max34Text -> RestrictedFINXMax34Text		In messages addressed to TRGTXPMT2S it is used to pull liquidity from the indicated DCA in T2S. BIC of the DCA account holder and the DCA account ID to be debited is mandatory.	MT 202 field 53A, D Sender's Correspondent Account
Instructed Reimbursement Agent	[0..1]	<InstdRmbrsmntAgt>			Usage Mandated Payment: Not used.	MT 202 field 54a Receiver's Correspondent
Financial Institution Identification	[1..1]	<FinInstnId>				
BICFI	[0..1]	<BICFI>			Must not be used in messages addressed to TRGTXPMT2S.	MT 202 field 54A Receiver's Correspondent BIC
Clearing System Member Identification	[0..1]	<ClrSysMmbld>				
Member Identification	[1..1]	<Mmbld>	Max35Text -> RestrictedFINXMax35Text		Must not be used in messages addressed to TRGTXPMT2S.	MT 202 field 54B Receiver's Correspondent Location
Name	[0..1]	<Nm>	Max140Text -> RestrictedFINXMax70Text		Must not be used in messages addressed to TRGTXPMT2S.	MT 202 field 54D Receiver's Correspondent Name
Postal Address	[0..1]	<PstIAdr>				
Address Line	[0..7]	<AdrLine>	Max70Text -> RestrictedFINXMax35Text	Multiplicity changed [0,7]-> [0,3]	Must not be used in messages addressed to TRGTXPMT2S.	MT 202 field 54D Receiver's Correspondent Address

Instructed Reimbursement Agent Account	[0..1]	<InstRmbrmntAgAcct>			Usage as Mandated Payment: Not used.	MT 202 field 54a Receiver's Correspondent Party Identifier
Identification	[1..1]	<Id>				
Other	[1..1]	<Othr>				
Identification	[1..1]	<Id>	Max34Text -> RestrictedFINXMax34Text		Must not be used in messages addressed to TRGTXPMT2S.	MT 202 field 54A, D Receiver's Correspondent Account
Credit Transfer Transaction Information	[1..*]	<CdtTrfTxInf>		Non-Repetitive		
Payment Identification	[1..1]	<PmtId>				
Instruction Identification	[0..1]	<InstrId>	Max35Text -> RestrictedFINMax16Text	Mandatory	For liquidity transfers with ASI: Used for unicity check as for "normal" payments	MT 202 field 20 Transaction Reference Number
End To End Identification	[1..1]	<EndToEndId>	Max35Text -> RestrictedFINMax16Text		For liquidity transfers with T2S: Copy to or from EndToEndIdentification of the XML message exchanged with T2S. This is essential for the duplicate check. For liquidity transfers with ASI: Will be mapped to EndToEndId of ASTransferNotice. For ASI notification copied from EndToEndIdentification of payment transaction part of ASTransferInitiation.	MT 202 field 21 Related Reference
Transaction Identification	[1..1]	<TxId>			If no unique TransactionIdentification can be generated, then the element is recommended to be populated with a copy of InstructionIdentification. This field will be ignored by TARGET 2.	
Interbank Settlement Amount	[1..1]	<IntrBkSttlmAmt>	ActiveCurrencyAndAmount -> RestrictedFINActiveCurrencyAndAmount		Only "EUR" is valid currency	MT 202 field 32A Value Date, Currency Code, Amount, subfield 2+3 Currency, Amount
Interbank Settlement Date	[0..1]	<IntrBkSttlmDt>		Mandatory	Value Date Payments can be sent for the current business day and up to five TARGET working days in advance. PM: Exceptions: • Value date check is switched off for the sender's RTGS account by the responsible CB or TARGET 2-OT. • Messages with future value date may not be addressed to TRGTXPMT2S. Warehoused liquidity transfers to T2S are not supported. (Standing orders may be used/adjusted instead.) ASI: Liquidity transfer can be sent only for the current business day. For ASI notification date is always the current business day.	MT 202 field 32A Value Date, Currency Code, Amount, subfield 1 Date
Settlement Priority	[0..1]	<SttlmPrty>			ASI: Liquidity transfers must be sent with the priority "highly urgent" = URGT. Urgent = URGT is in TARGET2 defined as highly urgent priority High = HIGH is in TARGET2 defined as urgent priority Normal = NORM is in TARGET2 defined as normal priority	MT user header filed 113 Banking priority
Urgent [URGT] High [HIGH] Normal [NORM]						
Settlement Time Indication	[0..1]	<SttlmTmIndctn>			Settlement Time Indication, if used, must be quoted in CET and must contain the offset against UTC.	MT 202 field 13C Time Indication
Debit Date Time	[0..1]	<DbtDtTm>			HAM: In the outgoing messages it contains the settlement time. Note: ii and nn are the hours and minutes of UTC shift.	MT 202 field 13C Time Indication: • /SNDTIME/hhmm+inn
Credit Date Time	[0..1]	<CdtDtTm>				
Settlement Time Request	[0..1]	<SttlmTmReq>			Settlement Time Request, if used, must be quoted in CET and must contain the offset against UTC.	

CLS Time	[0..1]	<CLSTm>			Time Indication (CLSTIME) if this tag is present time indication must be before the cut-off time for bank-to-bank payments (18.00 under normal circumstances). In case of messages addressed to TRGTXPMT2S also before the cut-off time for liquidity transfers to T2S (17.45 under normal circumstances). Automatic notification is triggered via ICM 15 minutes prior the defined time. Note that element (CLSTm) is ignored by TARGET 2, if element (TillTm) or (RjctTm) is used.	MT 202 field 72 Sender to Receiver Information, code /CLSTIME/.
Till Time	[0..1]	<TillTm>			TillTime must only be used when agreed bilaterally or within a community.	MT 202 field 13C Time Indication, code /TILTIME/.
From Time	[0..1]	<FrTm>			FromTime must only be used when agreed bilaterally or within a community.	MT 202 field 13C Time Indication, code /FROTIME/.
Reject Time	[0..1]	<RjctTm>			RejectTime must only be used when agreed bilaterally or within a community.	MT 202 field 13C Time Indication, code /REJTIME/.
Previous Instructing Agent	[0..1]	<PrvsInstgAgt>				None of the codes defined for use in MT field 72 are individually mapped with exception of code /INS/.
Financial Institution Identification	[1..1]	<FinInstnd>				
BICFI	[0..1]	<BICFI>			BIC of AS mirror account	
Intermediary Agent 1	[0..1]	<IntrmyAgt1>			Usage as Mandated Payment: Not used.	MT 202 field 56a Intermediary Institution.
Financial Institution Identification	[1..1]	<FinInstnd>				
BICFI	[0..1]	<BICFI>			Must not be used in messages addressed to TRGTXPMT2S.	MT 202 field 56A Intermediary Institution BIC.
Clearing System Member Identification	[0..1]	<ClrSysMmbld>			Total length of Clearing System Identification (taking conversion table into account) combined with Member Identification must not be longer than 33 characters.	
Clearing System Identification Code	[0..1]	<ClrSysld>				
Proprietary	[1..1]	<Prtry>	Max35Text -> RestrictedFINXMax35Text			MT 202 field 56A Intermediary Institution National Clearing System Code .
Member Identification	[1..1]	<Mmbld>	Max35Text -> RestrictedFINXMax35Text		Must not be used in messages addressed to TRGTXPMT2S.	MT 202 field 56A Intermediary Institution Additional Information
Intermediary Agent 1 Account	[0..1]	<IntrmyAgt1Acct>			Usage as Mandated Payment: Not used.	MT 202 field 56a Intermediary Party Identifier
Identification	[1..1]	<Id>				
Other Identification	[1..1]	<Othr>				
Identification	[1..1]	<Id>	Max34Text -> RestrictedFINXMax34Text		Must not be used in messages addressed to TRGTXPMT2S.	MT 202 field 56A Intermediary Institution Account
Debtor	[1..1]	<Dbtr>			Usage as Mandated Payment: Element (Dbtr) is mandatory to debit the participant's account (and not CBs account). The BIC must be a direct participant, which is the account holder (no multi-addressee or addressable BIC is allowed). Usage of as Connected Payment (increase credit line): The amount will be credited on the sender's account. In case of messages addressed to TRGTXPMT2S, used to pull liquidity from T2S, the tag may not be used. The DCA to be debited has to be mentioned in element Instructing Reimbursement Agent. AS! In case of Mandated Payment to Mirror or Sub account, this field is mandatory and the BIC must be a BIC11 and identify a settlement bank of the AS. Otherwise no checks are made. For Liquidity transfer to mirror account the BIC will be mapped to the Debtor BIC in AStransfernotice. For ASI notification present only if valid BIC is indicated as debtor in the ASTransferInitiation. Here the BIC designates the debited settlement agent in the AS.	MT 202 field 52a Ordering Institution or sender when field 52a is not present.

Financial Institution Identification	[1..1]	<FinInstnId>				
BICFI	[0..1]	<BICFI>				
Clearing System Member Identification	[0..1]	<ClrSysMmbld>			Total length of Clearing System Identification (taking conversion table into account) combined with Member Identification must not be longer than 33 characters.	
Clearing System Identification	[0..1]	<ClrSysId>				
Code	[1..1]	<Cd>				
Proprietary	[1..1]	<Prtry>	Max35Text -> RestrictedFINXMax35Text		In case of messages addressed to TRGTXPMT25, used to pull liquidity from T25, the tag may not be used. The DCA to be debited has to be mentioned in element (Instructing Reimbursement Agent).	MT 202 field 52A Ordering Institution National Clearing System Code
Member Identification	[1..1]	<Mmbld>	Max35Text -> RestrictedFINXMax35Text		In case of messages addressed to TRGTXPMT25, used to pull liquidity from T25, the tag may not be used.	MT 202 field 52A Ordering Institution Additional Information.
Name	[0..1]	<Nm>	Max140Text -> RestrictedFINXMax70Text			MT 202 field 52D Ordering Institution Name
Postal Address	[0..1]	<PstIAdr>				
Address Line	[0..7]	<AdrLine>	Max70Text -> RestrictedFINXMax35Text	Multiplicity changed [0,7]-> [0,3]		MT 202 field 52D Ordering Institution Address
Debtor Account	[0..1]	<DbtrAcct>				MT 202 field 52a Ordering Institution Party Identifier
Identification	[1..1]	<Id>				
Other	[1..1]	<Othr>				
Identification	[1..1]	<Id>	Max34Text -> RestrictedFINXMax34Text		In case of messages addressed to TRGTXPMT25, used to pull liquidity from T25, the element may not be used. The DCA to be debited has to be mentioned in Tag (Instructing Reimbursement Agent). For ASI if information is present no check. Account number will be mapped to debtor information in AstransferNotice for integrated AS. For ASI notification if present, copy of the account number indicated in Debtor account of ASTI if BIC is present in Debtor of ASTI.	MT 202 field 52A, D Ordering Institution Account
Creditor Agent	[0..1]	<CdtrAgt>			For ASI mandatory for Liquidity transfer to Mirror Account. (Integrated AS) Forbidden for Liquidity transfer to Sub account (Interfaced AS)	MT 202 field 57a Account With Institution
Financial Institution Identification	[1..1]	<FinInstnId>				
BICFI	[0..1]	<BICFI>			Must not be used in messages addressed to TRGTXPMT25. For ASI mandatory for Liquidity transfer to mirror account. The BIC must be the one of an mirror account of the AS of which the debited participant is a settlement bank.	MT 202 field 57A Account With Institution BIC
Creditor Agent Account	[0..1]	<CdtrAgtAcct>				MT 202 field 57a Account With Institution Party Identifier
Identification	[1..1]	<Id>				
Other	[1..1]	<Othr>				
Identification	[1..1]	<Id>	Max34Text -> RestrictedFINXMax34Text		Must not be used in messages addressed to TRGTXPMT25.	MT 202 field 57A Account With Institution Account
Creditor	[1..1]	<Cdtr>			Only relevant if message is addressed to a technical TARGET2 BIC (otherwise the amount will be credited on receivers account). For ASI the final beneficiary account to be credited on he AS (identified by a BIC and/or the account number in the AS books).	MT 202 field 58a Beneficiary Institution
Financial Institution Identification	[1..1]	<FinInstnId>				

BICFI	[0..1]	<BICFI>			<p>Mandatory for messages addressed to TRGTXPMT25 – BIC of the DCA account holder and the DCA account ID to be credited, – Or BIC of the RTGS account to be credited.</p> <p>Usage as Mandated Payment: Mandatory in case of Mandated Payments to HAM Account Holder, CB Customers and T2S.</p> <p>Usage as Connected Payment (increase credit line): Must be the BIC of a direct participant.</p> <p>For liquidity transfer interfaced AS the BIC is mandatory and must be the same as the one of the debited RTGS account. For liquidity transfer integrated AS no check and the BIC will be mapped to the Creditor BIC in ATransferNotice. For ASI notification mandatory: If present, BIC mapped from Creditor of ASTI. Otherwise will hold BIC of FinalAgent in ASTI.</p>	MT 202 field 58A Beneficiary Institution BIC
Clearing System Member Identification	[0..1]	<ClrSysMmbld>			Total length of Clearing System Identification (taking conversion table into account) combined with Member Identification must not be longer than 33 characters.	
Clearing System Identification	[0..1]	<ClrSysId>				
Code	[1..1]	<Cd>				MT 202 field 58A Beneficiary Institution National Clearing System Code
Proprietary	[1..1]	<Prtry>	Max35Text -> RestrictedFINXMax35Text			
Member Identification	[1..1]	<Mmbld>	Max35Text -> RestrictedFINXMax35Text			MT 202 field 58A Beneficiary Institution Additional Information
Name	[0..1]	<Nm>	Max140Text -> RestrictedFINXMax70Text			MT 202 field 58D Beneficiary Institution Name
Postal Address	[0..1]	<PstAdr>				
Address Line	[0..7]	<AdrLine>	Max70Text -> RestrictedFINXMax35Text	Multiplicity changed [0,7]-> [0,3]		MT 202 field 58D Beneficiary Institution Address
Creditor Account	[0..1]	<CdtrAcct>				MT 202 field 58a Beneficiary Institution Party Identifier
Identification	[1..1]	<Id>				
Other Identification	[1..1]	<Othr>				
Identification	[1..1]	<Id>	Max34Text -> RestrictedFINXMax34Text		<p>For liquidity transfer interfaced AS has to be a sub account of the debited RTGS account For liquidity transfer integrated AS no check and will be mapped to Creditor Identification in ATransferNotice. For ASI notification if present, copy of the account number indicated in Creditor account of ASTI if BIC is present in Debtor of ASTI.</p>	MT 202 field 58A, D Beneficiary Institution Account
Instruction For Next Agent	[0..*]	<InstrForNxtAgt>		Multiplicity changed [0,*]-> [0,6]		<p>MT 202 field 72 Sender To Receiver Information.</p> <p>In case of transformation needs, the element has been aligned with a field 72 structure of 6 lines of 35 characters.</p>

Instruction Information	[0..1]	<InstrInf>	Max140Text -> RestrictedFINXMax35Text	<p>If Instruction Information is present the first time, then Instruction Information must start with a maximum 8 alphanumeric code between slashes, else Instruction Information must start with a double slash or another maximum 8 alphanumeric character code between slashes.</p> <p>backup payments.</p> <p>/BUP/ = codeword to indicate backup payment.</p> <p>Usage as Mandated Payment:</p> <p>/MANPAY/ = codeword to indicate a mandated payment.</p> <p>/ASINF/ Information after this codeword will be mapped to the field Additional transaction information of camt.054.001.03 debit/credit notification. and in field Remittance Information of ATransferNotice for Integrated AS.</p> <p>Usage as Connected Payment (increase credit line):</p> <p>/CONPAY/= codeword to indicate a connected payment directly followed by the amount of the decrease of credit line (15 characters with comma and 0 to 2 decimal places).</p> <p>Examples:</p> <p>/CONPAY/123456,</p> <p>/CONPAY/123456,7</p> <p>/CONPAY/123456,78</p> <p>/ESCBSTAT/ followed by "2!" for setting up or reimbursement of repo operations with the central bank for intraday credit</p>	MT 202 field 72 Sender To Receiver Information.
-------------------------	--------	------------	--	---	---

Tag Name	Global ISO 20022 Multiplicity	XML Tag	Type / Code Change	"Like for Like" Multiplicity Change	Target 2 Rule	Mapping FIN to XML
Financial Institution Credit Transfer V03 (pacs.009.001.03)						
Group Header	[1..1]	<GrpHdr>				
Message Identification	[1..1]	<MsgId>			If no unique MessageIdentification can be generated, then the element is recommended to be populated with a copy of InstructionIdentification. The message Identification has to be unique over all messages for a period of 5 business days per Requestor DN.	
Creation Date Time	[1..1]	<CreDtTm>				
Number Of Transactions	[1..1]	<NbOfTxs>			Value "1" must be stated.	
Settlement Information	[1..1]	<SttlmInf>				
Settlement Method	[1..1]	<SttlmMtd>			Code 'CRLG' must be used.	Settlement Method implicit in MTs and derived from the presence of certain elements.
Clearing System [CLRG]						
Settlement Account	[0..1]	<SttlmAcct>				MT 202 COV field 53B Sender's Correspondent (option 53B - account to be debited)
Identification	[1..1]	<Id>				
Other Identification	[1..1]	<Othr>				
Identification	[1..1]	<Id>	Max34Text -> RestrictedFINXMax34Text			MT 202 COV field 53B Sender's Correspondent Account
Instructing Reimbursement Agent	[0..1]	<InstgRbrsmntAgt>				MT 202 COV field 53a Sender's Correspondent
Financial Institution Identification	[1..1]	<FinInstnId>				
BICFI	[0..1]	<BICFI>				MT 202 COV field 53A Sender's Correspondent BIC
Clearing System Member Identification	[0..1]	<ClrSysMmbld>				
Member Identification	[1..1]	<Mmbld>	Max35Text -> RestrictedFINXMax35Text			
Name	[0..1]	<Nm>	Max140Text -> RestrictedFINXMax70Text			MT 202 COV field 53D Sender's Correspondent Name
Postal Address	[0..1]	<PstlAdr>				
Address Line	[0..7]	<AdrLine>	Max70Text -> RestrictedFINXMax35Text	Multiplicity changed [0,7]-> [0,3]		MT 202 COV field 53D Sender's Correspondent Address, Field 53B Sender's Correspondent Location
Instructing Reimbursement Agent Account	[0..1]	<InstgRbrsmntAgtAcct>				MT 202 COV field 53a Sender's Correspondent Party Identifier
Identification	[1..1]	<Id>				
Other Identification	[1..1]	<Othr>				
Identification	[1..1]	<Id>	Max34Text -> RestrictedFINXMax34Text			MT 202 COV 53A, D Sender's Correspondent Account
Instructed Reimbursement Agent	[0..1]	<InstdRbrsmntAgt>			Usage as Mandated Payment: Not used.	MT 202 COV field 54a Receiver's Correspondent
Financial Institution Identification	[1..1]	<FinInstnId>				
BICFI	[0..1]	<BICFI>				MT 202 COV 54A Receiver's Correspondent BIC
Clearing System Member Identification	[0..1]	<ClrSysMmbld>				
Member Identification	[1..1]	<Mmbld>	Max35Text -> RestrictedFINXMax35Text			MT 202 COV 54B Receiver's Correspondent Location
Name	[0..1]	<Nm>	Max140Text -> RestrictedFINXMax70Text			MT 202 COV 54D Receiver's Correspondent Name

Tag Name	Global ISO 20022 Multiplicity	XML Tag	Type / Code Change	"Like for Like" Multiplicity Change	Target 2 Rule	Mapping FIN to XML
Postal Address Address Line	[0..1] [0..7]	<PstlAdr> <AdrLine>	Max70Text -> RestrictedFINXMax35Text	Multiplicity changed [0..7]-> [0,3]		MT 202 COV 54D Receiver's Correspondent Address
Instructed Reimbursement Agent Account	[0..1]	<InstdRmbrsmntAgtAcct>			Usage as Mandated Payment: Not used.	MT 202 COV field 54a Receiver's Correspondent Party Identifier
Identification	[1..1]	<Id>				
Other Identification	[1..1] [1..1]	<Othr> <Id>	Max34Text -> RestrictedFINXMax34Text			53A, D Sender's Correspondent Account
Credit Transfer Transaction Information	[1..*]	<CdtTrfTxInf>		Non-Repetitive		
Payment Identification	[1..1]	<PmtId>				
Instruction Identification	[0..1]	<InstrId>	Max35Text -> RestrictedFINMax16Text	Mandatory		MT 202 COV field 20 Transaction Reference Number
End To End Identification	[1..1]	<EndToEndId>	Max35Text -> RestrictedFINMax16Text			MT 202 COV field 21 Related Reference
Transaction Identification	[1..1]	<TxId>			If no unique TransactionIdentification can be generated, then the element is recommended to be populated with a copy of InstructionIdentification. This field will be ignored by Target 2.	
Interbank Settlement Amount	[1..1]	<IntrBkSttlmAmt>	ActiveCurrencyAndAmount -> RestrictedFINActiveCurrencyAndAmount		Only "EUR" is valid currency.	MT 202 COV field 32A Value Date, Currency Code, Amount, subfield 2+3 Currency, Amount
Interbank Settlement Date	[0..1]	<IntrBkSttlmDt>		Mandatory	Payments can be sent for the current business day and up to five TARGET working days in advance. PM: Exceptions: • Value date check is switched off for the sender's RTGS account by the responsible CB or SSP-OT. • Messages with future value date may not be addressed to TRGTXPMT2S. Warehoused liquidity transfers to T2S are not supported. (Standing orders may be used/adjusted instead.)	MT 202 COV field 32A Value Date, Currency Code, Amount, subfield 1 Date
Settlement Priority Urgent [URGT] High [HIGH] Normal [NORM]	[0..1]	<SttlmPrty>			Urgent = URGT is in TARGET2 defined as highly urgent priority High = HIGH is in TARGET2 defined as urgent priority Normal = NORM is in TARGET2 defined as normal priority	MT user header filed 113 Banking priority
Settlement Time Indication	[0..1]	<SttlmTmIndctn>			Settlement Time Indication, if used, must be quoted in CET and must contain the offset against UTC.	MT 202 COV field 13C Time Indication
Debit Date Time	[0..1]	<DbtDtTm>				
Credit Date Time	[0..1]	<CdtDtTm>				
Settlement Time Request	[0..1]	<SttlmTmReq>			Settlement Time Request, if used, must be quoted in CET and must contain the offset against UTC.	

Tag Name	Global ISO 20022 Multiplicity	XML Tag	Type / Code Change	"Like for Like" Multiplicity Change	Target 2 Rule	Mapping FIN to XML
CLS Time	[0..1]	<CLSTm>			Time Indication (CLSTIME) If this element is present time indication must be before the cut-off time for bank-to-bank payments (18.00 under normal circumstances). Automatic notification is triggered via ICM 15 minutes prior the defined time. But note that element (CLSTm) is ignored by SSP, if element (TillTm) or (RjctTm) is used.	MT MT 202 (COV) field 72 Sender to Receiver Information, code /CLSTIME/.
Till Time	[0..1]	<TillTm>			TillTime must only be used when agreed bilaterally or within a community. Time Indication (TILTIME)	MT 202 field 13C Time Indication, code /TILTIME/.
From Time	[0..1]	<FrTm>			FromTime must only be used when agreed bilaterally or within a community. Time Indication (FROTIME).	MT 202 field 13C Time Indication, code /FROTIME/.
Reject Time	[0..1]	<RjctTm>			Settlement Time Request, if used, must be quoted in CET and must contain the offset against UTC. Time Indication (REJTIME).	MT 202 field 13C Time Indication, code /REJTIME/.
Previous Instructing Agent	[0..1]	<PrvsInstgAgt>			Not used by TARGET2.	None of the codes defined for use in MT field 72 are individually mapped with exception of code /INS/.
Financial Institution Identification	[1..1]	<FinInstnId>				
BICFI	[0..1]	<BICFI>				
Intermediary Agent 1	[0..1]	<IntrmyAgt1>			Usage as Mandated Payment: Not used.	MT 202 COV field 56a Intermediary Institution
Financial Institution Identification	[1..1]	<FinInstnId>				
BICFI	[0..1]	<BICFI>				MT 202 COV field 56A Intermediary Institution BIC
Clearing System Member Identification	[0..1]	<ClrSysMmbld>			Total length of Clearing System Identification (taking conversion table into account) combined with Member Identification must not be longer than 33 characters.	
Clearing System Identification Code	[0..1]	<ClrSysId>				
Proprietary	[1..1]	<Cd>				
Proprietary	[1..1]	<Prtry>	Max35Text -> RestrictedFINXMax35Text			MT 202 COV field 56A Intermediary Institution National Clearing System Code
Member Identification	[1..1]	<Mmbld>	Max35Text -> RestrictedFINXMax35Text			MT 202 COV field 56A Intermediary Institution Additional Information.
Intermediary Agent 1 Account	[0..1]	<IntrmyAgt1Acct>				MT 202 COV field 56a Intermediary Party Identifier
Identification	[1..1]	<Id>				MT 202 COV field 56A Intermediary Institution Account.
Other	[1..1]	<Othr>				
Identification	[1..1]	<Id>	Max34Text -> RestrictedFINXMax34Text			
Debtor	[1..1]	<Dbtr>				MT 202 COV field 52a Ordering Institution
Financial Institution Identification	[1..1]	<FinInstnId>				
BICFI	[0..1]	<BICFI>				MT 202 COV field 52A Ordering Institution BIC
Clearing System Member Identification	[0..1]	<ClrSysMmbld>			Total length of Clearing System Identification (taking conversion table into account) combined with Member Identification must not be longer than 33 characters.	
Clearing System Identification	[0..1]	<ClrSysId>				

Tag Name	Global ISO 20022 Multiplicity	XML Tag	Type / Code Change	"Like for Like" Multiplicity Change	Target 2 Rule	Mapping FIN to XML
Code	[1..1]	<Cd>				MT 202 COV field 52A Ordering Institution National Clearing System Code.
Proprietary	[1..1]	<Prtry>	Max35Text -> RestrictedFINXMax35Text			
Member Identification	[1..1]	<Mmbld>	Max35Text -> RestrictedFINXMax35Text			MT 202 COV field 52A Ordering Institution Additional Information.
Name	[0..1]	<Nm>	Max140Text -> RestrictedFINXMax70Text			MT 202 COV field 52A Ordering Institution Name
Postal Address	[0..1]	<PstIAdr>				
Address Line	[0..7]	<AdrLine>	Max70Text -> RestrictedFINXMax35Text	Multiplicity changed [0,7]-> [0,3]		MT 202 COV field 52D Ordering Institution Address.
Debtor Account	[0..1]	<DbtrAcct>				MT 202 COV field 52a Ordering Institution Party Identifier
Identification	[1..1]	<Id>				
Other Identification	[1..1]	<Othr>				
Identification	[1..1]	<Id>	Max34Text -> RestrictedFINXMax34Text			MT 202 COV field 52A, D Ordering Institution Account.
Creditor Agent	[0..1]	<CdrAgt>				MT 202 COV field 57a Account With Institution
Financial Institution Identification	[1..1]	<FinInstnId>				
BICFI	[0..1]	<BICFI>				MT 202 COV field 57A Account With Institution BIC
Creditor Agent Account	[0..1]	<CdrAgtAcct>				MT 202 COV field 57a Account With Institution Party Identifier
Identification	[1..1]	<Id>				
IBAN	[1..1]	<IBAN>				
Other Identification	[1..1]	<Othr>				MT 202 COV field 57A Account With Institution Account
Identification	[1..1]	<Id>	Max34Text -> RestrictedFINXMax34Text			
Creditor	[1..1]	<Cdr>			Only relevant if message is addressed to a technical TARGET2 BIC (otherwise the amount will be credited on receivers account).	MT 202 COV field 58a Beneficiary Institution
Financial Institution Identification	[1..1]	<FinInstnId>				
BICFI	[0..1]	<BICFI>			Mandatory in case of Mandated Payments to HAM Account Holder, CB Customers and T2S.	MT 202 COV field 58A Beneficiary Institution BIC
Clearing System Member Identification	[0..1]	<ClrSysMmbld>				
Clearing System Identification	[0..1]	<ClrSysId>			Total length of Clearing System Identification (taking conversion table into account) combined with Member Identification must not be longer than 33 characters.	
Code	[1..1]	<Cd>				MT 202 COV field 58A Beneficiary Institution National Clearing System Code.
Proprietary	[1..1]	<Prtry>	Max35Text -> RestrictedFINXMax35Text			
Member Identification	[1..1]	<Mmbld>	Max35Text -> RestrictedFINXMax35Text			MT 202 COV field 58A Beneficiary Institution Additional Information
Name	[0..1]	<Nm>	Max140Text -> RestrictedFINXMax70Text			MT 202 COV field 58A Beneficiary Institution Name
Postal Address	[0..1]	<PstIAdr>				

Tag Name	Global ISO 20022 Multiplicity	XML Tag	Type / Code Change	"Like for Like" Multiplicity Change	Target 2 Rule	Mapping FIN to XML
Address Line	[0..7]	<AdrLine>	Max70Text -> RestrictedFINXMax35Text	Multiplicity changed [0,7]-> [0,3]		MT 202 COV field 58A Beneficiary Institution Address
Creditor Account	[0..1]	<CdtrAcct>				MT 202 COV field 58a Beneficiary Institution Party Identifier
Identification	[1..1]	<Id>				
Other Identification	[1..1]	<Othr>				
Identification	[1..1]	<Id>	Max34Text -> RestrictedFINXMax34Text			MT 202 COV field 58 A,D Beneficiary Institution Account.
Instruction For Next Agent	[0..*]	<InstrForNxtAgt>		Multiplicity changed [0,*]-> [0,6]		MT 202 COV field 72 Sender To Receiver Information. In case of transformation needs, the element has been aligned with a field 72 structure of 6 lines of 35 characters.
Instruction Information	[0..1]	<InstrInf>	Max140Text -> RestrictedFINXMax35Text		/MANPAY/ = codeword to indicate a mandated payment.	MT 202 COV field 72 Sender To Receiver Information.
Underlying Customer Credit Transfer	[0..1]	<UndrlygCstmrCdtTrf>		Mandatory		MT 202 COV sequence B Underlying Customer Credit Transfer Details
Debtor	[1..1]	<Dbtr>				MT 202 COV Sequence B, field 50a Ordering Customer
Name	[0..1]	<Nm>	Max140Text -> RestrictedFINXMax70Text			MT 202 COV Sequence B, field 50F or 50K Ordering Customer Name
Postal Address	[0..1]	<PstlAdr>				
Street Name	[0..1]	<StrtNm>	Max70Text -> RestrictedFINXMax70Text			MT 202 COV Sequence B, field 50F or 50K Ordering Customer Street Name
Town Name	[0..1]	<TwnNm>	Max35Text -> RestrictedFINXMax30Text			MT 202 COV Sequence B, field 50F or 50K Ordering Customer Town Name
Country	[0..1]	<Ctry>				MT 202 COV Sequence B, field 50F or 50K Ordering Customer Country Code
Address Line	[0..7]	<AdrLine>	Max70Text -> RestrictedFINXMax35Text	Multiplicity changed [0,7]-> [0,3]		MT 202 COV Sequence B, field 50F or 50K Ordering Customer Address
Identification	[0..1]	<Id>				
Organisation Identification	[1..1]	<OrgId>				
Any BIC	[0..1]	<AnyBIC>				MT 202 COV Sequence B, field 50A Ordering Customer BIC
Private Identification	[1..1]	<PrvtId>				
Date And Place Of Birth	[0..1]	<DtAndPlcOfBirth>				
Birth Date	[1..1]	<BirthDt>				MT 202 COV Sequence B, field 50F Ordering Customer
Province Of Birth	[0..1]	<PrvcOfBirth>				MT 202 COV Sequence B, field 50F Ordering Customer
City Of Birth	[1..1]	<CityOfBirth>	Max35Text -> RestrictedFINXMax30Text			MT 202 COV Sequence B, field 50F Ordering Customer
Country Of Birth	[1..1]	<CtryOfBirth>				MT 202 COV Sequence B, field 50F Ordering Customer
Other	[0..*]	<Othr>		Multiplicity changed [0,*]-> [0,2]		
Identification	[1..1]	<Id>	Max35Text -> RestrictedFINXMax35Text			MT 202 COV Sequence B, field 50F Ordering Customer Party Identifier
Scheme Name	[0..1]	<SchmeNm>				
Code	[1..1]	<Cd>				MT 202 COV Sequence B, field 50F Ordering Customer Party Identifier Code

Tag Name	Global ISO 20022 Multiplicity	XML Tag	Type / Code Change	"Like for Like" Multiplicity Change	Target 2 Rule	Mapping FIN to XML	
Issuer	[0..1]	<Issr>	Max35Text -> RestrictedFINXMax35Text			MT 202 COV Sequence B, field 50F Ordering Customer Issuer	
Debtor Account	[0..1]	<DbtrAcct>				MT 202 COV Sequence B field 50a Ordering Customer Account	
Identification	[1..1]	<Id>					
IBAN	[1..1]	<IBAN>				MT 202 COV Sequence B, field 50A, F, K Ordering Customer IBAN.	
Other Identification	[1..1]	<Othr>					
Identification	[1..1]	<Id>	Max34Text -> RestrictedFINXMax34Text			MT 202 COV Sequence B, field 50A, F, K Ordering Customer Account.	
Debtor Agent	[1..1]	<DbtrAgt>				MT 202 COV Sequence B field 52a Ordering Institution.	
Financial Institution Identification	[1..1]	<FinInstnId>					
BICFI	[0..1]	<BICFI>				MT 202 COV Sequence B, field 52A Ordering Institution BIC.	
Clearing System Member Identification	[0..1]	<ClrSysMmbld>			Total length of Clearing System Identification (taking conversion table into account) combined with Member Identification must not be longer than 33 characters.		
Clearing System Identification	[0..1]	<ClrSysId>					
Code	[1..1]	<Cd>					
Proprietary	[1..1]	<Prtry>	Max35Text -> RestrictedFINXMax35Text				MT 202 COV Sequence B, field 52A Ordering Institution National Clearing System Code.
Member Identification	[1..1]	<Mmbld>	Max35Text -> RestrictedFINXMax35Text				MT 202 COV Sequence B, field 52A Ordering Institution Additional Information.
Name	[0..1]	<Nm>	Max140Text -> RestrictedFINXMax70Text			MT 202 COV Sequence B, field 52D Ordering Institution Name.	
Postal Address	[0..1]	<PstIAdr>					
Address Line	[0..7]	<AdrLine>	Max70Text -> RestrictedFINXMax35Text	Multiplicity changed [0,7]-> [0,3]		MT 202 COV Sequence B, field 52D Ordering Institution Address.	
Debtor Agent Account	[0..1]	<DbtrAgtAcct>				MT 202 COV Sequence B field 52a Ordering Institution Party Identifier.	
Identification	[1..1]	<Id>					
Other Identification	[1..1]	<Othr>					
Identification	[1..1]	<Id>	Max34Text -> RestrictedFINXMax34Text			MT 202 COV Sequence B, field 52A, D Ordering Institution Account.	
Previous Instructing Agent	[0..1]	<PrvsInstgAgt>				MT 202 COV Sequence B field 72 with code /INS/ Instructing Institution.	
Financial Institution Identification	[1..1]	<FinInstnId>					
BICFI	[0..1]	<BICFI>					
Intermediary Agent 1	[0..1]	<IntrmyAgt1>				MT 202 COV Sequence B field 56a Intermediary Institution.	
Financial Institution Identification	[1..1]	<FinInstnId>					
BICFI	[0..1]	<BICFI>				MT 202 COV Sequence B field 56A Intermediary Institution BIC.	
Clearing System Member Identification	[0..1]	<ClrSysMmbld>					

Tag Name	Global ISO 20022 Multiplicity	XML Tag	Type / Code Change	"Like for Like" Multiplicity Change	Target 2 Rule	Mapping FIN to XML
Clearing System Identification	[0..1]	<ClrSysId>			Total length of Clearing System Identification (taking conversion table into account) combined with Member Identification must not be longer than 33 characters.	
Code	[1..1]	<Cd>				
Proprietary	[1..1]	<Prtry>	Max35Text -> RestrictedFINXMax35Text			MT 202 COV Sequence B field 56A Intermediary Institution National Clearing System Code.
Member Identification	[1..1]	<Mmbld>	Max35Text -> RestrictedFINXMax35Text			MT 202 COV Sequence B field 56A Intermediary Institution Additional Information.
Name	[0..1]	<Nm>	Max140Text -> RestrictedFINXMax70Text			MT 202 COV Sequence B field 56D Intermediary Institution Name.
Postal Address	[0..1]	<PstAdr>				
Address Line	[0..7]	<AdrLine>	Max70Text -> RestrictedFINXMax35Text	Multiplicity changed [0,7]-> [0,3]		MT 202 COV Sequence B field 56D Intermediary Institution Address.
Intermediary Agent 1 Account	[0..1]	<IntrmyAgt1Acct>				MT 202 COV Sequence B field 56a Intermediary Institution Party Identifier.
Identification	[1..1]	<Id>				
Other Identification	[1..1]	<Othr>				
	[1..1]	<Id>	Max34Text -> RestrictedFINXMax34Text			MT 202 COV Sequence B field 56A, C, D Intermediary Institution Account.
Creditor Agent	[1..1]	<CdtrAgt>				MT 202 COV Sequence B field 57a Account With Institution.
Financial Institution Identification	[1..1]	<FinInstnId>				
BICFI	[0..1]	<BICFI>				MT 202 COV Sequence B field 57A Account With Institution BIC.
Clearing System Member Identification	[0..1]	<ClrSysMmbld>			Total length of Clearing System Identification (taking conversion table into account) combined with Member Identification must not be longer than 33 characters.	
Clearing System Identification	[0..1]	<ClrSysId>				
Code	[1..1]	<Cd>				
Proprietary	[1..1]	<Prtry>	Max35Text -> RestrictedFINXMax35Text			MT 202 COV Sequence B field 57A Account With Institution National Clearing System Code
Member Identification	[1..1]	<Mmbld>	Max35Text -> RestrictedFINXMax35Text			
Name	[0..1]	<Nm>	Max140Text -> RestrictedFINXMax70Text			MT 202 COV Sequence B field 57D Account With Institution Name
Postal Address	[0..1]	<PstAdr>				
Address Line	[0..7]	<AdrLine>	Max70Text -> RestrictedFINXMax35Text	Multiplicity changed [0,7]-> [0,3]		MT 202 COV Sequence B field 57D Account With Institution Address MT 202 COV Sequence B field 57A, B Account With Institution Additional Information, Location
Creditor Agent Account	[0..1]	<CdtrAgtAcct>				MT 202 COV Sequence B field 57a Account With Institution Party Identifier
Identification	[1..1]	<Id>				
Other Identification	[1..1]	<Othr>				
	[1..1]	<Id>	Max34Text -> RestrictedFINXMax34Text			MT 202 COV Sequence B field 57A, C, D Account With Institution Account.
Creditor	[1..1]	<Cdtr>				MT 202 COV Sequence B field 59a Beneficiary Customer

Tag Name	Global ISO 20022 Multiplicity	XML Tag	Type / Code Change	"Like for Like" Multiplicity Change	Target 2 Rule	Mapping FIN to XML
Name	[0..1]	<Nm>	Max140Text -> RestrictedFINXMax70Text			MT 202 COV Sequence B field 59 no letter option Beneficiary Name
Postal Address	[0..1]	<PstIAdr>				
Address Line	[0..7]	<AdrLine>	Max70Text -> RestrictedFINXMax35Text	Multiplicity changed [0,7]-> [0,3]		MT 202 COV Sequence B field 59 no letter option Beneficiary Address
Identification	[0..1]	<Id>				
Organisation Identification	[1..1]	<OrgId>				
Any BIC	[0..1]	<AnyBIC>				MT 202 COV Sequence B field 59A Beneficiary Customer BIC
Creditor Account	[0..1]	<CdtrAcct>				MT 202 COV Sequence B field 59a Beneficiary Customer Account
Identification	[1..1]	<Id>				
IBAN	[1..1]	<IBAN>				MT 202 COV Sequence B field 59A or no letter option Beneficiary Customer IBAN
Other Identification	[1..1]	<Othr>	Max34Text -> RestrictedFINXMax34Text			MT 202 COV Sequence B field 59A or no letter option Beneficiary Customer Account
Identification	[1..1]	<Id>				
Remittance Information	[0..1]	<RmtInf>				MT 202 COV Sequence B field 70 Remittance Information
Unstructured	[0..*]	<Ustrd>	Max140Text -> RestrictedFINXMax140Text	Non-Repetitive		
Instructed Amount	[0..1]	<InstdAmt>	ActiveOrHistoricCurrencyAndA mount -> RestrictedFINActiveOrHistoricC urrencyAndAmount			MT 202 COV Sequence B field 33B Currency/Instructed Amount

Name	Global ISO20022 Multiplicity	XML Tag	Type / Code Change	"Like for Like" Multiplicity Change	Target2 Rule	Mapping FIN to XML
Financial Institution Credit Transfer V03 (pacs.009.001.03)						
Group Header						
Message Identification	[1..1]	<MsgId>			If no unique MessageIdentification can be generated, then the element is recommended to be populated with a copy of InstructionIdentification. The message identification has to be unique over all messages for a period of 5 business days per Requestor DN. Value "1" must be stated.	
Creation Date Time	[1..1]	<CreDtTm>				
Number Of Transactions	[1..1]	<NbOfTx>				
Settlement Information	[1..1]	<SttlmInf>				
Settlement Method	[1..1]	<SttlmMtd>			Code "CLRG" must be used.	Settlement Method implicit in MTs and derived from the presence of certain elements.
Clearing System [CLRG]						
Instructing Reimbursement Agent	[0..1]	<InstgRmbrsmntAgt>			If used, this field must contain the BIC of the account to be debited. The Sender must be either the Co-Manager or CB.	MT 202 field 53a Sender's Correspondent
Financial Institution Identification	[1..1]	<FinInstnId>				
BICFI	[0..1]	<BICFI>				MT 202 field 53A Sender's Correspondent BIC
Credit Transfer Transaction Information						
	[1..*]	<CdtTrfTxInf>		Non-Repetitive		
Payment Identification	[1..1]	<PmtId>				
Instruction Identification	[0..1]	<InstrId>	Max35Text -> RestrictedFINMax16Text	Mandatory		MT 202 field 20 Transaction Reference Number
End To End Identification	[1..1]	<EndToEndId>	Max35Text -> RestrictedFINMax16Text			MT 202 field 21 Related Reference
Transaction Identification	[1..1]	<TxId>			If no unique TransactionIdentification can be generated, then the element is recommended to be populated with a copy of InstructionIdentification. TransactionIdentification is only used in outgoing messages, in format //HAM (debited account BIC)(credited account BIC). This field will be ignored by Target2.	
Interbank Settlement Amount	[1..1]	<IntrBkSttlmAmt>	ActiveCurrencyAndAmount -> RestrictedFINActiveCurrencyAndAmount		Only "EUR" is valid currency.	MT 202 field 32A Value Date, Currency Code, Amount, subfield 2+3 Currency, Amount
Interbank Settlement Date	[0..1]	<IntrBkSttlmDt>		Mandatory	Payments can be sent for the current business day and up to five TARGET working days in advance.	MT 202 field 32A Value Date, Currency Code, Amount, subfield 1 Date
Settlement Priority	[0..1]	<SttlmPrty>			HAM For cash withdrawals URGT must be used. SettlementPriority must only be used when agreed bilaterally or within a community. Urgent = URGT is in TARGET2 defined as highly urgent priority High = HIGH is in TARGET2 defined as urgent priority Normal = NORM is in TARGET2 defined as normal priority	
Urgent [URGT] High [HIGH] Normal [NORM]						
Settlement Time Indication	[0..1]	<SttlmTmIndctn>			Settlement Time Indication, if used, must be quoted in CET and must contain the offset against UTC. HAM: In the outgoing messages it contains the settlement time. The format is: • /SNDTIME/hhmm+iinn Note: ii and nn are the hours and minutes of UTC shift.	MT 202 field 13C Time Indication
Debit Date Time	[0..1]	<DbtDtTm>				
Credit Date Time	[0..1]	<CdtDtTm>				
Debtor	[1..1]	<Dbtr>			HAM: In incoming messages is not allowed. In outgoing messages it will contain the BIC of the debited account.	MT 202 field 52a Ordering Institution or sender when field 52a is not present.

Financial Institution Identification	[1..1]	<FinInstnId>				
BICFI	[0..1]	<BICFI>				
Creditor Agent	[0..1]	<CdtrAgt>				MT 202 field 57a Account With Institution
Financial Institution Identification	[1..1]	<FinInstnId>				
BICFI	[0..1]	<BICFI>			Present only in HAM to PM Liquidity Transfers, BIC of the CB.	MT 202 field 57A Account With Institution BIC
Creditor	[1..1]	<Cdtr>				MT 202 field 58a Beneficiary Institution
Financial Institution Identification	[1..1]	<FinInstnId>				
BICFI	[0..1]	<BICFI>				MT 202 field 58A Beneficiary Institution BIC
Instruction For Next Agent	[0..*]	<InstrForNxtAgt>		Multiplicity changed [0,*]-> [0,6]		MT 202 field 72 Sender To Receiver Information. In case of transformation needs, the element has been aligned with a field 72 structure of 6 lines of 35 characters.
Instruction Information	[0..1]	<InstrInf>	Max140Text -> RestrictedFINXMax35Text		For outgoing messages, in case of rejection, it contains the following code words providing details about the reason for the rejection. The format is: <ul style="list-style-type: none"> • /REJT/ followed by the identification of the field causing the reject or /RETN/ followed by the identification of the field causing the return (used for incoming payments from PM and directed to CB customers; if a payment is rejected in HAM for any reason, a reverse payment is sent from HAM to PM). • Reason Code, followed by a text description of the preceding reason code. • /MREF/ Sender's Reference, ie Instruction Identification of the original message (Transaction Reference Number of File Reference). 	MT 202 field 72 Sender To Receiver Information.

Tag Name	Global ISO 20022 Multiplicity	XML Tag	Type / Code Change	"Like for Like" Multiplicity Change	Target 2 Rule	Mapping FIN to XML
Financial Institution Direct Debit V01 (DRAFT_pacs.010.001.01)						
Group Header	[1..1]	<GrpHdr>				
Message Identification	[1..1]	<MsgId>			If no unique MessageIdentification can be generated, then the element is recommended to be populated with a copy of CreditIdentification. The message Identification has to be unique over all messages for a period of 5 business days per Requestor DN.	
Creation Date Time	[1..1]	<CreDtTm>			In case of an Internet-based direct participant as receiver (Responder DN of "TRGTXEPMLVP" and BIC of Internet-based direct participant is quoted in tag <Dbtr><FinInstnId><BICFI>) repetitive tag <DrctDbtTxInf> can only be used once.	
Number Of Transactions	[1..1]	<NbOfTxs>				
Credit Instruction	[1..*]	<CdtInstr>		Non-Repetitive		
Credit Identification	[1..1]	<CdtId>	Max35Text -> RestrictedFINMax16Text			MT 204 Sequence A field 20 Transaction Reference Number.
Total Interbank Settlement Amount	[0..1]	<TtlIntrBkSttlmAmt>	ActiveCurrencyAndAmount -> RestrictedFINActiveCurrencyAndAmount	Mandatory	The amount in tag (TtlIntrBkSttlmAmt) must be equal to the sum of the amounts in all tags (IntrBkSttlmAmt). This is the amount actually settled.	MT 204 Sequence A field 19 Sum of Amounts and currency from Sequence B field 32B Transaction Amount (Currency).
Interbank Settlement Date	[0..1]	<IntrBkSttlmDt>		Mandatory	The date can be the current business day or up to five TARGET working days in advance.	MT 204 Sequence A field 30 Value Date.
Creditor Agent	[0..1]	<CdtrAgt>				MT 204 Sequence A field 57a Line 1 (=BIC) Account With Institution.
Financial Institution Identification	[1..1]	<FinInstnId>				
BICFI	[0..1]	<BICFI>				MT 204 Sequence A field 57A Account With Institution BIC.
Creditor Agent Account	[0..1]	<CdtrAgtAcct>				MT 204 Sequence A field 57a Account With Institution Party Identifier.
Other Identification	[1..1]	<Othr>	Max34Text -> RestrictedFINXMax34Text			Account Id of MT 204 Sequence A field 57a line 2 (= Account Id) Account With Institution - Party Identifier.
Creditor	[1..1]	<Cdtr>			Usage as Connected Payment (increase credit line): The amount will be credited on the sender's account.	MT 204 Sequence A field 58a Beneficiary Institution, if present, else MT 204 Sender.
Financial Institution Identification	[1..1]	<FinInstnId>				
BICFI	[0..1]	<BICFI>				MT 204 Sequence A field 58A Beneficiary Institution BIC.
Clearing System Member Identification	[0..1]	<ClrSysMmbld>			Total length of Clearing System Identification (taking conversion table into account) combined with Member Identification must not be longer than 33 characters.	
Clearing System Identification Code	[0..1]	<ClrSysId>				MT 204 Sequence A field 58A Beneficiary Institution National Clearing System Code.
Proprietary	[1..1]	<Prtry>	Max35Text -> RestrictedFINXMax35Text			
Member Identification	[1..1]	<Mmbld>	Max35Text -> RestrictedFINXMax35Text			
Name	[0..1]	<Nm>	Max140Text -> RestrictedFINXMax70Text			MT 204 Sequence A field 58D Beneficiary Institution Name.
Postal Address	[0..1]	<PstAdr>				

Tag Name	Global ISO 20022 Multiplicity	XML Tag	Type / Code Change	"Like for Like" Multiplicity Change	Target 2 Rule	Mapping FIN to XML
Address Line	[0..7]	<AdrLine>	Max70Text -> RestrictedFINXMax35Text	Multiplicity changed [0,7]-> [0,3]		MT 204 Sequence A field 58D Beneficiary Institution Address.
Creditor Account	[0..1]	<CdtrAcct>				MT 204 Sequence A field 58a Beneficiary Institution Party Identifier.
Identification	[1..1]	<Id>				
Other Identification	[1..1]	<Othr>				
Identification	[1..1]	<Id>	Max34Text -> RestrictedFINXMax34Text			MT 204 Sequence A field 58A, D Beneficiary Institution Account.
Instruction For Creditor Agent	[0..*]	<InstrForCdrAgt>		Multiplicity changed [0,*]-> [0,6]		MT 204 Sequence A field 72 Sender to Receiver Information.
Instruction Information	[0..1]	<InstrInf>	Max140Text -> RestrictedFINXMax35Text		/ESCBSTAT/ code followed by "21" to be used for setting up or reim-bursement of repo operations with the central bank for intraday credit. Usage as Connected Payment (increase credit line): /CONPAY/= codeword to indicate a connected payment directly followed by the amount of the increase of credit line.	
Direct Debit Transaction Information	[1..*]	<DrctDbtTxInf>		Multiplicity changed [1,*]-> [1,10]	In case of an Internet-based direct participant as receiver (Responder DN of "TRGTXPMLVP" and BIC of Internet-based direct participant is quoted in tag <Dbr><FinInstnId><BICFI>) repetitive tag <DrctDbtTxInf> can only be used once. Usage as Connected Payment (increase credit line): Repetitive tag <DrctDbtTxInf> can only be used once.	
Payment Identification	[1..1]	<PmtId>				
Instruction Identification	[0..1]	<InstrId>	Max35Text -> RestrictedFINMax16Text	Mandatory		MT 204 Sequence B field 20 Transaction Reference Number.
End To End Identification	[1..1]	<EndToEndId>	Max35Text -> RestrictedFINMax16Text			MT 204 Sequence B Field 21 Related Reference.
Transaction Identification	[1..1]	<TxId>			If no unique TransactionIdentification can be generated, then the element is recommended to be populated with a copy of InstructionIdentification. This field will be ignored by Target 2.	
Interbank Settlement Amount	[1..1]	<IntrBkSttlmAmt>	ActiveCurrencyAndAmount -> RestrictedFINActiveCurrencyAndAmount		Only "EUR" is valid currency.	MT 204 Sequence B field 32B Transaction Amount
Settlement Priority	[0..1]	<SttlmPrty>			Urgent = URGT is in TARGET2 defined as highly urgent priority High = HIGH is in TARGET2 defined as urgent priority Normal = NORM is in TARGET2 defined as normal priority	MT user header filed 113 Banking priority
Urgent [URGT]						
High [HIGH]						
Normal [NORM]						
Settlement Time Request	[0..1]	<SttlmTmReq>				
Till Time	[0..1]	<TillTm>			If this tag is present time indication must be before the cut-off time for bank-to-bank payments (18.00 under normal circumstances). If tag (TillTm) and (RjctTm) are both mentioned only the first one is used by TARGET2.	MT 204 Sequence A field 72 Sender to Receiver Information (TILTIME).

Tag Name	Global ISO 20022 Multiplicity	XML Tag	Type / Code Change	"Like for Like" Multiplicity Change	Target 2 Rule	Mapping FIN to XML
From Time	[0..1]	<FrTm>			If this tag is present time indication must be before the cut-off time for bank-to-bank payments (18.00 under normal circumstances). time. If tag (TillTm) and (RjctTm) are both mentioned only the first one is used by TARGET2.	MT 204 Sequence A field 72 Sender to Receiver Information (FROTIME).
Reject Time	[0..1]	<RjctTm>				MT 204 Sequence A field 72 Sender to Receiver Information (REJTIME).
Debtor	[1..1]	<Dbtr>			Usage as Connected Payment (increase credit line): BIC of the direct participant (account to be debited) must be stated.	MT 204 sequence B Field 53a Debit Institution.
Financial Institution Identification	[1..1]	<FinInstnId>				
BICFI	[0..1]	<BICFI>				MT 204 sequence B Field 53A Debit Institution BIC.
Clearing System Member Identification	[0..1]	<ClrSysMmbld>				
Member Identification	[1..1]	<Mmbld>	Max35Text -> RestrictedFINXMax35Text			
Name	[0..1]	<Nm>	Max140Text -> RestrictedFINXMax70Text			MT 204 sequence B Field 53D Debit Institution Name.
Postal Address	[0..1]	<PstlAdr>				
Address Line	[0..7]	<AdrLine>	Max70Text -> RestrictedFINXMax35Text	Multiplicity changed [0,7]-> [0,3]		MT 204 sequence B Field 53D Debit Institution Address. MT 204 sequence B Field 53B Debit Institution Location.
Debtor Account	[0..1]	<DbtrAcct>				MT 204 sequence B Field 53a Debit Institution Party Identifier.
Identification	[1..1]	<Id>				
Other Identification	[1..1]	<Othr>				
Identification	[1..1]	<Id>	Max34Text -> RestrictedFINXMax34Text			MT 204 sequence B Field 53A, B, D Debit Institution Account.
Instruction For Debtor Agent	[0..1]	<InstrForDbtrAgt>	Max210Text -> RestrictedFINXMax210Text		Not used by TARGET2.	MT 204 Sequence B field 72 Sender to Receiver Information. In case of transformation needs, recommendation is to concatenate different lines as they are in the MT.

Name	Global ISO20022 Multiplicity	XML Tag	Type / Code Change	"Like for Like" Multiplicity Change	Target 2 Rule	Mapping FIN to XML
Bank To Customer Debit Credit Notification V03 (camt.054.001.03)		<BkToCstmrDbtCdtNtfctn>				
Group Header	[1..1]	<GrpHdr>				
Message Identification	[1..1]	<MsgId>			If no unique MessageIdentification can be generated, then the element is recommended to be populated with a copy of EntryReference. PM: Unique MessageID	
Creation Date Time	[1..1]	<CreDtM>				
Notification	[1..*]	<Ntfctn>		Non-Repetitive	For SSP only 1 notification per message	
Identification	[1..1]	<Id>			ASI: Assigned by ASI. If no unique NotificationIdentification can be generated, then the element is recommended to be populated with a copy of EntryReference. PM: Copy of MessageID from element <MsgId>	
Creation Date Time	[1..1]	<CreDtM>				
Account	[1..1]	<Acct>				
Identification	[1..1]	<Id>				MT 910 field 25 Account Identification.
Other Identification	[1..1]	<Othr>	Max34Text -> RestrictedFINMax ax34Text		PM/ASI: Usage up to 34 digit account number related to credited RTGS main account or sub-account. HAM: In case the camt.054 is sent to indicate a credit on a HAM account, the account number of the respective HAM account is entered in the field. Usage up to 34 digits; relevant HAM account number	
Entry	[0..*]	<Ntry>		Non-Repetitive Mandatory		
Entry Reference	[0..1]	<NtryRef>	Max35Text -> RestrictedFINMax 16Text		For payments linked to AS: The TRN is built with "AS" followed by the 14 last characters of the timestamp "ASddhhmssnnnnnn"	MT 910 field 20 Transaction Reference Number
Amount	[1..1]	<Amt>	ActiveOrHistoricCurrencyAndAmount -> RestrictedFINActiveCurrencyAndAmount		Amount is expressed in EUR only. PM: If confirmation is sent out due to a credit line increase initiated by the CB via ICM U2A or A2A (codeword "/CREDITLINE/" in Sender to Receiver Information of Credit Notification message); Amount of the credit line change (delta).	MT 910 field 32A Value Date, Currency Code, Amount, subfield 2+3 Currency, Amount
Credit Debit Indicator Credit [CRDT]	[1..1]	<CdtDbtInd>				
Status Booked [BOOK]	[1..1]	<Sts>				
Bank Transaction Code	[1..1]	<BkTxCd>				
Value Date	[0..1]	<ValDt>		Mandatory		

Name	Global ISO20022 Multiplicity	XML Tag	Type / Code Change	"Like for Like" Multiplicity Change	Target 2 Rule	Mapping FIN to XML
Date	[1..1]	<Dt>			Only current business day.	MT 910 field 32A Value Date, Currency Code, Amount, subfield 1 Date
Entry Details	[0..*]	<NtryDtIs>		Mandatory Non-Repetitive		
Transaction Details	[0..*]	<TxDtIs>		Mandatory Non-Repetitive		
References	[0..1]	<Refs>		Mandatory		
End To End Identification	[0..1]	<EndToEndId>	Max35Text -> RestrictedFINMax 16Text	Mandatory	<p>Related Reference:</p> <p>PM:</p> <ul style="list-style-type: none"> - Execution of Standing orders and current orders sent via ICM screens (U2A) : Internal SSP reference - Execution of LiquidityCreditTransfer sent in A2A via ICM <p>Copy of MessageIdentification</p> <p>ASI:</p> <ul style="list-style-type: none"> - pacs.009.001.03 sent by a Settlement Bank Copy of InstructionIdentification of pacs.009.001.03 - Back Transfer of liquidity ordered with End of Procedure . Copy of BusinessInformationReference of the ReturnGeneralBusinessInformation message . 'NONREF' if End of Procedure is triggered on ICM - End of Procedure by SSP at End of Business day <p>Related internal reference attributed by the SSP specifically to each AS for the procedure which has to be closed by the SSP.</p> <p>Others cases:</p> <p>Copy of EndToEndIdentification contained in the ASttransferinitiation message</p> <p>HAM:</p> <ul style="list-style-type: none"> "NEW": for internal payments generated directly by the SSP modules (SF interest, RM interest and penalties); "HAM" (in case of REJECT/ RETURN): When the receiver of the Camt.54 is different from the sender of the payment message. 	MT 910 field 21 Transaction Reference Number
Amount	[1..1]	<Amt>	ActiveOrHistoricC urrencyAndAmou nt -> RestrictedFINActi veCurrencyAndA mount			MT 910 field 32A Value Date, Currency Code, Amount, subfield 2+3 Currency, Amount
Credit Debit Indicator Credit [CRDT]	[1..1]	<CdtDbtInd>				
Related Parties	[0..1]	<RltdPties>		Mandatory		
Debtor	[0..1]	<Dbtr>		Mandatory		MT 910 field 52a Ordering Institution
Identification	[0..1]	<Id>				
Organisation Identification	[1..1]	<OrgId>				

Name	Global ISO20022 Multiplicity	XML Tag	Type / Code Change	"Like for Like" Multiplicity Change	Target 2 Rule	Mapping FIN to XML
Additional Transaction Information	[0..1]	<AddtTxInf>	Max500Text -> Max210Text		<p>PM:</p> <ul style="list-style-type: none"> • /LIQUIINP/ for a liquidity transfer • /LIQUIOUT/ for liquidity forwarding from PM (except at the end-of-day) • /CRDTLN/15d to indicate the change of credit line to the user for a connected payment. • /CREDITLINE/ for credit line change via ICM order (U2A and A2A) • /SSPBIL/ for CRISP billing <p>ASI:</p> <ul style="list-style-type: none"> • /ASCRED/ to indicate the debtor-creditor of the original transaction • /MANPAY/ in case the notification is related to a mandated payment • /ASINF/ to report the remittance information (ASTI) or instruction Information (pacs.009.001.03) <p>HAM:</p> <ul style="list-style-type: none"> • /LIQUISOD/ for liquidity transfer at the start-of-day from HAM to PM • The first line contains the time. Format: /SETTIME/HHMMSSCC • /HAMINT/ for "HAM interest" (managed within HAM) • /INTERMOD/ for transfer of liquidity from PM to HAM account of different participants • As a general rule the remaining 5 lines will contain the first 5 lines of tag 72 of the incoming message. <p>SF:</p> <ul style="list-style-type: none"> • /SFOVDINT/ for "Overnight Deposit Interest" • /SFMLOINT/ for "Marginal Lending On Request Interest" • /LIQUISF/ for liquidity transfer to/from standing facilities module • Information about the counter-part involved in SF operations is provided in a new line and structured as follows: //DEB BIC1 CRED BIC2 where BIC1 is the BIC of the debited account and BIC2 is the BIC of the credited account • Information regarding reverse operations in SF is provided at the end of the corresponding line with an "R"(eg //OVERNIGHT DEPOSIT nnnn "R") <p>RM:</p> <ul style="list-style-type: none"> • /RMRESINT/ for "Interest on minimum reserve" • /RMRESPEN/ for "Penalties for infringements" • The complete information provided by RM and forwarded by PM/HAM is: <p>PENALTY: /RMRESPEN/ //PENALTY FOR COMPULSORY RESERVE //IN THE PERIOD: //YYYY-MM-DD - YYYY-MMDD//DEB Cl_BIC CRE CB_BIC</p> <p>INTEREST: /RMRESINT/ // INTEREST FOR COMPULSORY RESERVE //IN THE PERIOD: //YYYY-MM-DD - YYYY-MMDD//DEB CB_BIC CRE Cl_BIC</p> <p>CM:</p> <ul style="list-style-type: none"> • /BALANCM/ for the confirmation on turnover stemming from CM 	<p>MT 910 field 72 Sender to Receiver Information.</p> <p>In case of transformation needs, the element has been aligned with a field 72 structure of 6 lines of 35 characters.</p>

Name	Global ISO 20022 Multiplicity	XML Tag	Type / Code Change	"Like for Like" Multiplicity Change	Target 2 Rule	Mapping FIN to XML
Bank To Customer Debit Credit Notification V03 (camt.054.001.03)						
Group Header						
Message Identification	[1..1]	<MsgId>			If no unique MessageId can be generated, then the element is recommended to be populated with a copy of EntryReference. PM/T2SI: Unique MessageID	
Creation Date Time	[1..1]	<CreDtTm>				
Notification						
Identification	[1..*] [1..1]	<Ntfcn> <Id>		Non-Repetitive	If no unique NotificationIdentification can be generated, then the element is recommended to be populated with a copy of EntryReference. PM/T2SI: Copy of MessageID from element <MsgId>	
Creation Date Time	[1..1]	<CreDtTm>				
Account						
Identification	[1..1]	<Id>			HAM: Usage up to 34 digits; relevant HAM account number	MT 900 field 25 Account Identification.
Other Identification	[1..1] [1..1]	<Othr> <Id>	Max34Text -> RestrictedFINMax34Text		PM/ASI/T2SI: Usage up to 34 digit account number related to debited RTGS main account or sub-account. HAM: Usage up to 34 digits; relevant HAM account number	
Entry						
Entry Reference	[0..*] [1..1]	<Ntry> <NtryRef>		Mandatory Non-Repetitive Mandatory	Transaction Reference The SSP Business Case ID (up to 16 numeric characters) assigned by ASI, HAM or PM depending on notified transaction. For payments linked to AS: The TRN is built with "AS" followed by the 14 last characters of the timestamp "ASddhhmssnnnnn"	MT 900 field 20 Transaction Reference Number
Amount	[1..1]	<Amt>	ActiveOrHistoricCurrencyAndAmount -> RestrictedFINActiveCurrencyAndAmount		Settled amount PM: If confirmation is sent out due to a credit line decrease initiated by the CB via ICM U2A or A2A : Amount of the credit line change (delta). Amount is expressed in EUR Only.	MT 900 field 32A Value Date, Currency Code, Amount, subfield 2+3 Currency, Amount
Credit Debit Indicator Debit [DBIT]	[1..1]	<CdtDbtInd>				
Status Booked [BOOK]	[1..1]	<Sts>				

Name	Global ISO 20022 Multiplicity	XML Tag	Type / Code Change	"Like for Like" Multiplicity Change	Target 2 Rule	Mapping FIN to XML
Value Date	[0..1]	<ValDt>		Mandatory		
Date	[1..1]	<Dt>			Only current day.	MT 900 field 32A Value Date, Currency Code, Amount, subfield 1 Value Date
Bank Transaction Code	[1..1]	<BkTxCd>			If no relevant codes can be provided , it is recommended to use the following value population. DOMAIN - there is no generic domain, so use Payments (PMNT). FAMILY - Miscellaneous Debit Operations (MDOP). SUBFAMILY - Not Available (NTAV).	
Domain	[0..1]	<Domn>				
Code	[1..1]	<Cd>			T2SI: PMNT =Payments area	
Family	[1..1]	<Fmly>				
Code	[1..1]	<Cd>			T2SI: ICDT – Issued Credit Transfers (to T2S)	
Sub Family Code	[1..1]	<SubFmlyCd>			T2SI: STDO – standing order liquidity transfer to T2S FICT – current order Financial Institution Credit Transfer	
Entry Details	[0..*]	<NtryDtls>		Mandatory Non-Repetitive		
Transaction Details	[0..*]	<TxDtls>		Mandatory Non-Repetitive		
References	[0..1]	<Refs>		Mandatory		
Instruction Identification	[0..1]	<InstrId>	Max35Text -> RestrictedFINMax 16Text	Mandatory	PM: For transactions received via ICM (A2A) the first 16 characters of the MsgId. For transactions received via ICM (U2A) the internal reference. "NEW" for internal payments generated directly by the SSP modules (SF interest, RM interest and penalties). ASI: - Execution of Standing orders and current orders sent via ICM screens (U2A) : Internal SSP reference - Execution of LiquidityCreditTransfer or SBTransferInitiation sent in A2A via ICM by Settlement Bank Copy of MessageIdentification - pacs.009.001.03 sent by a Settlement Bank Copy of InstructionIdentification of pacs.009.001.03 - Back Transfer of liquidity ordered with End of Procedure . Copy of BusinessInformationRef. of the ReturnGeneralBusinessInformation message . 'NONREF' if End of Procedure is triggered on ICM - End of Procedure by SSP at End of Business day' Related internal reference attributed by the SSP specifically to each AS for the procedure which has to be closed by the SSP. Others cases: Copy of EndToEndIdentification contained in the ASTransferInitiation T2SI: - Copy of InstrId from LiquidityCreditTransfer or - SSP Booking ID in case of standing orders and current orders sent via ICM screen	MT 900 field 21 Related Reference

Name	Global ISO 20022 Multiplicity	XML Tag	Type / Code Change	"Like for Like" Multiplicity Change	Target 2 Rule	Mapping FIN to XML
					<p>HAM: Content of subelement CdtTrfTxInf\PmtId\InstrId of the related payment message. For transactions received via ICM (A2A) the first 16 characters of the MsgId. For transactions received via ICM (U2A) the internal reference. "NEW" for internal payments generated directly by the SSP modules (SF interest, RM interest and penalties). "HAM" when the receiver is different from the sender of the original payment message</p>	
Amount	[1..1]	<Amt>	ActiveOrHistoricCurrencyAndAmount -> RestrictedFINActiveCurrencyAndAmount		Settled amount is expressed in EUR only.	MT 900 field 32A Value Date, Currency Code, Amount, subfield 2+3 Currency, Amount
Credit Debit Indicator Debit [DBIT]	[1..1]	<CdtDbtInd>				
Related Parties	[0..1]	<RltdPties>				
Debtor	[0..1]	<Dbtr>				MT 900 field 52a Ordering Institution.
Identification	[0..1]	<Id>				
Organisation Identification	[1..1]	<OrgId>				
Any BIC	[0..1]	<AnyBIC>	AnyBICIdentifier -> BICFIIdentifier		<p>PM: BIC sender or BIC debtor (depending on type of business case) ASI: Execution of Standing orders and current orders sent by Settlement Banks via ICM: BIC of the Settlement Bank - Execution of LiquidityCreditTransfer or SBTransferInitiation sent in A2A via ICM by Settlement Bank BIC of the Settlement Bank - pacs.009.001.03 sent by a Settlement Bank BIC of the Settlement Bank - Back Transfer of liquidity ordered with End of Procedure BIC of the AS if procedure closed via ICM BIC AS in SubjectDetails (if filled) else BIC AS sender of ReturnGeneralBusinessInformation - End of Procedure by SSP at End of Business day BIC TRGTXPMSI - Others cases: BIC AS in Initiating Party (if filled) else BIC sender of the ATransferInitiation HAM: It contains the BIC of the sender of the related payment message. For internal payments generated directly by the SSP modules (SF interest, RM interest and penalties) it contains the BIC of the central bank of the debtor.</p>	
Debtor Account	[0..1]	<DbtrAcct>			<p>PM: not used T2SI: not used</p>	MT 900 field 52a Ordering Institution - Party Identifier
Identification	[1..1]	<Id>				
Other Identification	[1..1]	<Othr>				
Identification	[1..1]	<Id>	Max34Text -> RestrictedFINXMax34Text			

Name	Global ISO 20022 Multiplicity	XML Tag	Type / Code Change	"Like for Like" Multiplicity Change	Target 2 Rule	Mapping FIN to XML
Additional Transaction Information	[0..1]	<AdddtTxInf>	Max500Text -> Max210Text		<p>PM:</p> <ul style="list-style-type: none"> • /BUP/ for backup payments • /LIQUIINP/ for a liquidity transfer • /LIQUIOUT/ for liquidity forwarding from PM (except at the end-of-day) • /CRDTLN/15d to indicate the change of credit line to the user for a connected payment. • /CREDITLINE/ for credit line change via ICM order (U2A and A2A) • /MANPAY/ for mandated payments • /SSPBIL/ for CRISP billing <p>ASI:</p> <ul style="list-style-type: none"> • /ASDEBT/ to indicate the debtor of the original transaction • /MANPAY/ in case the notification is related to a mandated payment • /ASINF/ to report the remittance information (ASTI) or instr. Information (pacs.009.001.03) <p>T2SI: Not used</p> <p>HAM:</p> <ul style="list-style-type: none"> • /LIQUISOD/ for liquidity transfer at the start-of-day from HAM to PM • The first line contains the time. Format: /SETTIME/HHMMSSCC • /HAMINT/ for "HAM interest" (managed within HAM) • /INTERMOD/ for transfer of liquidity from PM to HAM account of different participants • As a general rule the remaining 5 lines will contain the first 5 lines of tag 72 of the incoming message. <p>SF:</p> <ul style="list-style-type: none"> • /SFOVDINT/ for "Overnight Deposit Interest" • /SFMLOINT/ for "Marginal Lending On Request Interest" • /LIQUISF/ for liquidity transfer to/from standing facilities module • Information about the counter-part involved in SF operations is provided in a new line and structured as follows: //DEB BIC1 CRED BIC2 where BIC1 is the BIC of the debited account and BIC2 is the BIC of the credited account • Information regarding reverse operations in SF is provided at the end of the corresponding line with an "R"(eg //OVERNIGHT DEPOSIT nnnn "R") <p>RM:</p> <ul style="list-style-type: none"> • /RMRESINT/ for "Interest on minimum reserve" • /RMRESPEN/ for "Penalties for infringements" • The complete information provided by RM and forwarded by PM/HAM is: <p>PENALTY: /RMRESPEN/ //PENALTY FOR COMPULSORY RESERVE //IN THE PERIOD: //YYYY-MM-DD - YYYY-MMDD//DEB CI_BIC CRE CI_BIC</p> <p>INTEREST: /RMRESINT/ // INTEREST FOR COMPULSORY RESERVE //IN THE PERIOD: //YYYY-MM-DD - YYYY-MMDD//DEB CB_BIC CRE CI_BIC</p> <p>CM:</p> <ul style="list-style-type: none"> • /BALANCM/ for the confirmation on turnover stemming from CM 	<p>MT 900 field 72 Sender to Receiver Information.</p> <p>In case of transformation needs, the element has been aligned with a field 72 structure of 6 lines of 35 characters.</p>



Annex 5 – Mapping tables MT to MX

In contrary to annex 4 this chapter aims to provide mapping details of MT and their usage in TARGET2 to ISO 20022 MX messages.

The objective ~~was~~ is also to enable the traceability of the mapping approach from MT standards following the “like-for-like” approach to the corresponding ISO 20022 MX messages.

Hence the following tables have been derived from MT structure. They are not focused on illustration of a XML structure.

Tag	Name	M/O	ISO Mapping	Comment	Target 2 Rule
20	Sender's Reference	M	CreditTransferTransactionInformation/PaymentIdentification/InstructionIdentification	For detailed information on mapping of references, refer to 'mapping references' section.	
13C	Time Indication	O	CreditTransferTransactionInformation/SettlementTimeIndication/DebitDateTime (SNDTIME) CreditTransferTransactionInformation/SettlementTimeIndication/CreditDateTime (RNCTIME) CreditTransferTransactionInformation/Settlement Time Request/TillTime (TILTIME) CreditTransferTransactionInformation/Settlement Time RequestFromTime (FROTIME) CreditTransferTransactionInformation/Settlement Time Request/RejectTime (REJTIME)	Mapping depends on code. Corresponding MT code between brackets.	PM: The following codes in addition to the SWIFT standard can be used to set an execution time: • Time Indication (TILTIME) • Time Indication (FROTIME) • Time Indication (REJTIME) hhmm must be before the cut-off time for customer payments (17.00 under normal circumstances). If TILTIME and REJTIME are both mentioned only the first one is used by SSP. HAM: In the outgoing messages it contains the settlement time. The format is: • Time Indication (REJTIME) in hhmm+iinn Note: ii and nn are the hours and minutes of UTC shift. Note: Settlement Time Indication and Settlement Time Request, if used, must be quoted in CET and must contain the offset against UTC.
23B	Bank Operation Code	M	CreditTransferTransactionInformation/PaymentTypeInfo/LocalInstrument/Proprietary (CRED, SPAY, SSTD, SPRI, CRTS)	In the MT 103 the codes are used to indicate whether the message is sent under a SWIFT service level agreement (SLA). Although these SLAs have been defined specifically for the MT 103, the codes have also been used outside of MT 103 specific SLAs, under bilateral or community agreement between correspondents. To cater for these cases, the codes can be mapped to LocalInstrument in the pacs.008.	
23E	Instruction Code	O	CreditTransferTransactionInformation/PaymentTypeInfo/ServiceLevel/Code (SDVA) CreditTransferTransactionInformation/PaymentTypeInfo/CategoryPurpose/Code (INTC, CORT) CreditTransferTransactionInformation/InstructionForCreditorAgent/Code (CHQB, HOLD, PHOB, TELB) CreditTransferTransactionInformation/InstructionForCreditorAgent/InstructionInformation (with codes HOLD, PHOB, TELB)	Mapping depends on code. Corresponding MT code between brackets. InstructionInformation only allowed with some codes. MT codes REPA, PHOI, PHON, TELI and TELE are not mapped.	
26T	Transaction Type Code	O	CreditTransferTransactionInformation/Purpose/Proprietary		
32A	Value Date/Currency/Interbank Settled Amount	M	CreditTransferTransactionInformation/InterBankSettlementAmount CreditTransferTransactionInformation/InterBankSettlementDate		Only "EUR" is valid currency. Payments can be sent for the current business day and up to five TARGET working days in advance. Exception: Value date check is switched off for the sender's RTGS account by the responsible CB or TARGET2-OT.
33B	Currency/Instructed Amount	O	CreditTransferTransactionInformation/InstructedAmount		
36	Exchange Rate	O	CreditTransferTransactionInformation/ExchangeRate		
50a	Ordering Customer	M	CreditTransferTransactionInformation/Debtor CreditTransferTransactionInformation/DebtorAccount	For detailed mapping of field options, refer to 'mapping party' section.	
51A	Sending Institution	O		Field 51A not allowed in an MT 103 sent over FIN.	
52a	Ordering Institution	O	CreditTransferTransactionInformation/DebtorAgent CreditTransferTransactionInformation/DebtorAgentAccount	For detailed mapping of field options, refer to 'mapping financial institution' section.	
53a	Sender's Correspondent	O	GroupHeader/SettlementInformation/SettlementAccount GroupHeader/SettlementInformation/InstructingReimbursementAgent GroupHeader/SettlementInformation/InstructingReimbursementAgentAccount	For detailed mapping of field options, refer to 'mapping financial institution' section.	
54a	Receiver's Correspondent	O	GroupHeader/SettlementInformation/InstructedReimbursementAgent GroupHeader/SettlementInformation/InstructedReimbursementAgentAccount	For detailed mapping of field options, refer to 'mapping financial institution' section.	

55a	Third Reimbursement Institution	O	GroupHeader/SettlementInformation/ThirdReimbursementAgent GroupHeader/SettlementInformation/ThirdReimbursementAgentAccount	For detailed mapping of field options, refer to 'mapping financial institutionnancial institution' section.	
56a	Intermediary Institution	O	CreditTransferTransactionInformation/IntermediaryAgent1 CreditTransferTransactionInformation/IntermediaryAgent1Account	For detailed mapping of field options, refer to 'mapping financial institutionnancial institution' section.	
57a	Account With Institution	O	CreditTransferTransactionInformation/CreditorAgent CreditTransferTransactionInformation/CreditorAgentAccount	For detailed mapping of field options, refer to 'mapping financial institution' section.	
59a	Beneficiary Customer	M	CreditTransferTransactionInformation/Creditor CreditTransferTransactionInformation/CreditorAccount	For detailed mapping of field options, refer to 'mapping party' section.	
70	Remittance Information	O	CreditTransferTransactionInformation/RemittanceInformation/Unstructured CreditTransferTransactionInformation/PaymentIdentification/EndToEndIdentification (ROC)	For detailed information on mapping of references, refer to 'mapping references' section.	
71A	Details of Charges	M	CreditTransferTransactionInformation/ChargeBearer	For detailed mapping of field options, refer to 'mapping charges' section.	
71F	Sender's Charges	O	CreditTransferTransactionInformation/ChargesInformation/Amount	For detailed mapping of field options, refer to 'mapping charges' section.	
71G	Receiver's Charges	O	CreditTransferTransactionInformation/ChargesInformation/Amount	For detailed mapping of field options, refer to 'mapping charges' section.	
72	Sender to Receiver Information	O	CreditTransferTransactionInformation/InstructionForNextAgent/InstructionInformation CreditTransferTransactionInformation/PreviousInstructingAgent (INS)	None of the codes defined for use in MT field 72 are individually mapped with exception of code /INS/.	
72	Sender to Receiver Information	O	CreditTransferTransactionInformation/SettlementTimeRequest/CLSTime (CLSTIME)	In Target 2 the codeword /CLSTIME/ is used in field 72 and not according to the SWIFT standard in field 13C.	This tag can be used to set an execution time: hh:mm:ss.sss+/-ii:nn hh:mm:ss.sss must be before the cut-off time for customer payments (17.00 under normal circumstances) Note: ii and nn are the hours and minutes of UTC shift whereas the „hh:mm:ss.sss“ are to be filled with the local time of the user. But note that tag (CLSTm) is ignored by TARGET 2, if tag (TillTm) or (RjcTm) is used.
77B	Regulatory Reporting	O	CreditTransferTransactionInformation/RegulatoryReporting/Details/Information		

Name	Option	Subfield	Format	M/O	Mapping condition	ISO mapping	Comment	Target 2 Rule	
50a Ordering Customer						Debtor			
	50A								
		Account	[/34x]	O		DebtorAccount/Identification	Within Identification the options IBAN or Other/Identification are available.		
		Identifier Code	4!a2!a2!c[3!c]	M		Debtor/Identification/OrganisationIdentification/AnyBIC			
	50F								
		Party Identifier	35x	M					
			OR	Account (/34x)		DebtorAccount/Identification			
			OR	Code		ARNU Debtor/Identification/PrivateIdentification/Other/SchemeName/Code/ARNU CCPT Debtor/Identification/PrivateIdentification/Other/SchemeName/Code/CCPT CUST Debtor/Identification/PrivateIdentification/Other/SchemeName/Code/CUST DRLC Debtor/Identification/PrivateIdentification/Other/SchemeName/Code/DRLC EMPL Debtor/Identification/PrivateIdentification/Other/SchemeName/Code/EMPL NIDN Debtor/Identification/PrivateIdentification/Other/SchemeName/Code/NIDN SOSE Debtor/Identification/PrivateIdentification/Other/SchemeName/Code/SOSE TXID Debtor/Identification/PrivateIdentification/Other/SchemeName/Code/TXID			
			OR	Country Code		Debtor/Identification/PrivateIdentification/Other/Issuer	In case of codes CUST, DRLC or EMPL the Issuer will be the country code, followed by a slash '/', followed by the part of the Identifier until the slash '/'		
				Identifier		Code is ARNU, CCPT, NIDN, SOSE, TXID Debtor/Identification/PrivateIdentification/Other/Identification Code is CUST, DRLC, EMPL Debtor/Identification/PrivateIdentification/Other/Issuer Debtor/Identification/PrivateIdentification/Other/Identification	In case of mapping content, the Identification will be the country code, followed by a slash '/', followed by the part of the Identifier as of the slash '/'		
		Name and Address	4*35x	M					
						1	Debtor/Name		
						2	Debtor/PostalAddress/AddressLine		
						3	Debtor/PostalAddress/TownName Debtor/PostalAddress/Country		
						4	Debtor/Identification/PrivateIdentification/DateAndPlaceOfBirth/BirthDate		
						5	Debtor/Identification/PrivateIdentification/DateAndPlaceOfBirth/CountryOfBirth Debtor/Identification/PrivateIdentification/DateAndPlaceOfBirth/CityOfBirth		
						6	Debtor/Identification/PrivateIdentification/Other/SchemeName/Code/CUST Debtor/Identification/PrivateIdentification/Other/Issuer Debtor/Identification/PrivateIdentification/Other/Identification		
						7	Debtor/Identification/PrivateIdentification/Other/SchemeName/Code/NIDN Debtor/Identification/PrivateIdentification/Other/Issuer Debtor/Identification/PrivateIdentification/Other/Identification		
						8	Debtor/Identification/PrivateIdentification/Other/Identification	In case of mapping content, the information following 8/ will further complete the Identification.	
	50K								
	Account	[/34x]	O			DebtorAccount/Identification	Within Identification the options IBAN or Other/Identification are available.		
	Name and Address	4*35x	M		Line 1	Debtor/Name			
					Lines 2-4	Debtor/PostalAddress/AddressLine			

Name	Option	Subfield	Format	M/O	Mapping condition	ISO mapping	Comment	Target 2 Rule
59a Beneficiary Customer						Creditor		
	59A	Account	[/34x]	O		CreditorAccount/Identification	Within Identification the options IBAN or Other/Identification are available.	
		Identifier Code	4!a2!a2!c[3!c]	M		Creditor/Identification/OrganisationIdentification/AnyBIC		
	59	Account	[/34x]	O		CreditorAccount/Identification		
		Name and Address	4*35x	M	Line 1	Creditor/Name		
					Lines 2-4	Creditor/PostalAddress/AddressLine		

Name	Option	Subfield	Format	M/O	Mapping condition	ISO mapping	Comment	Target 2 Rule	
52a Ordering Institution						DebtorAgent	DebtorAgent is mandatory in pacs.008. If in the MT field 52a Ordering Institution is not present, then the Sender must be mapped to DebtorAgent.	Usage as Mandated Payment: Mandatory to debit the participant's account (and not CBs account). The BIC must be a direct participant, which is the account holder (no multi-addressee or addressable BIC is allowed).	
	52A	Party Identifier	[/1!a]/34x	O	Starts with '/'	DebtorAgentAccount/Identification	Within Identification the options IBAN or Other/identification are available.		
					Starts with '/'	DebtorAgent/FinancialInstitutionIdentification/ClearingSystemMemberIdentification	Within ClearingSystemMemberIdentification the ClearingSystemIdentification and MemberIdentification within the ClearingSystem will be provided. The mapping of ClearingSystemIdentification between MT and ISO 20022 is shown in the table below.		
		Identifier Code	4!a2!a2!c3!c	M		DebtorAgent/FinancialInstitutionIdentification/BICFI			
	52D	Party Identifier	[/1!a]/34x	O	Starts with '/'	DebtorAgentAccount/Identification	Within Identification the options IBAN or Other/identification are available.		
					Starts with '/'	DebtorAgent/FinancialInstitutionIdentification/ClearingSystemMemberIdentification	Within ClearingSystemMemberIdentification the ClearingSystemIdentification and MemberIdentification within the ClearingSystem will be provided. The mapping of ClearingSystemIdentification between MT and ISO 20022 is shown in the table below.		
		Name and Address	4*35x	M	Line 1	DebtorAgent/FinancialInstitutionIdentification/Name			
	Lines 2-4				DebtorAgent/FinancialInstitutionIdentification/PostalAddress/AddressLine				
	53a Sender's Correspondent						InstructingReimbursementAgent		Usage as Mandated Payment: Not used by TARGET 2.
		53A	Party Identifier	[/1!a]/34x	O	Starts with '/'	SettlementInformation/InstructingReimbursementAgentAccount/Identification	Within Identification the options IBAN or Other/identification are available.	
Starts with '/'						SettlementInformation/InstructingReimbursementAgent/FinancialInstitutionIdentification/ClearingSystemMemberIdentification	Within ClearingSystemMemberIdentification the ClearingSystemIdentification and MemberIdentification within the ClearingSystem will be provided. The mapping of ClearingSystemIdentification between MT and ISO 20022 is shown in the table below.		
Identifier Code			4!a2!a2!c3!c	M		SettlementInformation/InstructingReimbursementAgent/FinancialInstitutionIdentification/BICFI			
53B		Party Identifier	[/1!a]/34x	O		SettlementInformation/SettlementAccount/Identification	Within Identification the options IBAN or Other/identification are available.		
		Location	[35x]	O		SettlementInformation/InstructingReimbursementAgent/FinancialInstitutionIdentification/Name			
53D		Party Identifier	[/1!a]/34x	O	Starts with '/'	SettlementInformation/InstructingReimbursementAgentAccount/Identification			
					Starts with '/'	SettlementInformation/InstructingReimbursementAgent/FinancialInstitutionIdentification/ClearingSystemMemberIdentification	Within ClearingSystemMemberIdentification the ClearingSystemIdentification and MemberIdentification within the ClearingSystem will be provided. The mapping of ClearingSystemIdentification between MT and ISO 20022 is shown in the table below.		
		Name and Address	4*35x	M	Line 1	SettlementInformation/InstructingReimbursementAgent/FinancialInstitutionIdentification/Name			
Lines 2-4					SettlementInformation/InstructingReimbursementAgent/FinancialInstitutionIdentification/PostalAddress/AddressLine				

Name	Option	Subfield	Format	M/O	Mapping condition	ISO mapping	Comment	Target 2 Rule
54a Receiver's Correspondent						InstructedReimbursementAgent		Usage as Mandated Payment: Not used by TARGET 2.
	54A	Party Identifier	[/1!a]/[34x]	O	Starts with '/'	SettlementInformation/InstructedReimbursementAgentAccount/Identification	Within Identification the options IBAN or Other/identification are available.	
					Starts with '/'	SettlementInformation/InstructedReimbursementAgent/FinancialInstitutionIdentification/ClearingSystemMemberIdentification	Within ClearingSystemMemberIdentification the ClearingSystemIdentification and MemberIdentification within the ClearingSystem will be provided. The mapping of ClearingSystemIdentification between MT and ISO 20022 is shown in the table below.	
		Identifier Code	4!a2!a2!c[3!c]	M		SettlementInformation/InstructedReimbursementAgent/FinancialInstitutionIdentification/BICFI		
	54B	Party Identifier	[/1!a]/[34x]	O		SettlementInformation/InstructedReimbursementAgentAccount/Identification	Within Identification the options IBAN or Other/identification are available.	
		Location	[35x]	O		SettlementInformation/InstructedReimbursementAgent/FinancialInstitutionIdentification/Name		
	54D	Party Identifier	[/1!a]/[34x]	O	Starts with '/'	SettlementInformation/InstructedReimbursementAgentAccount/Identification	Within Identification the options IBAN or Other/identification are available.	
					Starts with '/'	SettlementInformation/InstructedReimbursementAgent/FinancialInstitutionIdentification/ClearingSystemMemberIdentification	Within ClearingSystemMemberIdentification the ClearingSystemIdentification and MemberIdentification within the ClearingSystem will be provided. The mapping of ClearingSystemIdentification between MT and ISO 20022 is shown in the table below.	
		Name and Address	4*35x	M	Line 1	SettlementInformation/InstructedReimbursementAgent/FinancialInstitutionIdentification/Name		
					Lines 2-4	SettlementInformation/InstructedReimbursementAgent/FinancialInstitutionIdentification/PostalAddress/AddressLine		
55a Third Reimbursement Institution						ThirdReimbursementAgent		Usage as Mandated Payment: Not used by TARGET 2.
	55A	Party Identifier	[/1!a]/[34x]	O	Starts with '/'	SettlementInformation/ThirdReimbursementAgentAccount/Identification	Within Identification the options IBAN or Other/identification are available.	
					Starts with '/'	SettlementInformation/ThirdReimbursementAgent/FinancialInstitutionIdentification/ClearingSystemMemberIdentification	Within ClearingSystemMemberIdentification the ClearingSystemIdentification and MemberIdentification within the ClearingSystem will be provided. The mapping of ClearingSystemIdentification between MT and ISO 20022 is shown in the table below.	
		Identifier Code	4!a2!a2!c[3!c]	M		SettlementInformation/ThirdReimbursementAgent/FinancialInstitutionIdentification/BICFI		
	55B	Party Identifier	[/1!a]/[34x]	O		SettlementInformation/ThirdReimbursementAgentAccount/Identification	Within Identification the options IBAN or Other/identification are available.	
		Location	[35x]	O		SettlementInformation/ThirdReimbursementAgent/FinancialInstitutionIdentification/Name		
	55D	Party Identifier	[/1!a]/[34x]	O	Starts with '/'	SettlementInformation/ThirdReimbursementAgentAccount/Identification	Within Identification the options IBAN or Other/identification are available.	
					Starts with '/'	SettlementInformation/ThirdReimbursementAgent/FinancialInstitutionIdentification/ClearingSystemMemberIdentification	Within ClearingSystemMemberIdentification the ClearingSystemIdentification and MemberIdentification within the ClearingSystem will be provided. The mapping of ClearingSystemIdentification between MT and ISO 20022 is shown in the table below.	
		Name and Address	4*35x	M	Line 1	SettlementInformation/ThirdReimbursementAgent/FinancialInstitutionIdentification/Name		
	Lines 2-4				SettlementInformation/ThirdReimbursementAgent/FinancialInstitutionIdentification/PostalAddress/AddressLine			

Name	Option	Subfield	Format	M/O	Mapping condition	ISO mapping	Comment	Target 2 Rule
56a Intermediary Institution						IntermediaryAgent1		Only option A is allowed. Other options are rejected. Usage as Mandated Payment (to CB Customers in HAM): Not to be used.
	56A	Party Identifier	[/11a]/34x	O	Starts with '/'	IntermediaryAgent1Account/Identification	Within Identification the options IBAN or Other/Identification are available.	
					Starts with '//'	IntermediaryAgent1/FinancialInstitutionIdentification/ClearingSystemMemberIdentification	Within ClearingSystemMemberIdentification the ClearingSystemIdentification and MemberIdentification within the ClearingSystem will be provided. The mapping of ClearingSystemIdentification between MT and ISO 20022 is shown in the table below.	
		Identifier Code	41a21a21c31c	M		IntermediaryAgent1/FinancialInstitutionIdentification/BICFI		
57a Account With Institution						CreditorAgent	CreditorAgent is mandatory in pacs.008. If in the MT field 57a Account With Institution is not present, then the Receiver must be mapped to CreditorAgent.	Only option A or D is allowed. Other options are rejected. Usage as Mandated Payment (to CB Customer):BIC Beneficiary Institution (CB Customer) is mandatory.
	57A	Party Identifier	[/11a]/34x	O	Starts with '/'	CreditorAgentAccount/Identification	Within Identification the options IBAN or Other/Identification are available.	
					Starts with '//'	CreditorAgent/FinancialInstitutionIdentification/ClearingSystemMemberIdentification	Within ClearingSystemMemberIdentification the ClearingSystemIdentification and MemberIdentification within the ClearingSystem will be provided. The mapping of ClearingSystemIdentification between MT and ISO 20022 is shown in the table below.	
		Identifier Code	41a21a21c31c	M		CreditorAgent/FinancialInstitutionIdentification/BICFI		
	57D	Party Identifier	[/11a]/34x	O	Starts with '/'	CreditorAgentAccount/Identification	Within Identification the options IBAN or Other/Identification are available.	
					Starts with '//'	CreditorAgent/FinancialInstitutionIdentification/ClearingSystemMemberIdentification	Within ClearingSystemMemberIdentification the ClearingSystemIdentification and MemberIdentification within the ClearingSystem will be provided. The mapping of ClearingSystemIdentification between MT and ISO 20022 is shown in the table below.	
		Name and Address	4*35x	M	Line 1 Lines 2-4	CreditorAgent/FinancialInstitutionIdentification/Name CreditorAgent/FinancialInstitutionIdentification/PostalAddress/AddressLine		

Name	Option	Subfield	Format	M/O	Mapping condition	ISO mapping	Comment	Target 2 Rule
ClearingSystemIdentification mapping								
Country		System				MT clearing system code		ISO 20022 clearing system code
Australia		Australian Bank State Branch Code (BSB)				AU		AUBSB
Austria		Austrian Bankleitzahl				AT		ATBLZ
Canada		Canadian Payments Association Payment Routing Number				CC		CACPA
China		CNAPS Identifier				CN		CNAPS
Germany		German Bankleitzahl				BL		DEBLZ
Greece		Hellenic Bank Identification Code				GR		GRBIC
Hong Kong		Hong Kong Bank Code				HK		HKBCC
India		Indian Financial System Code				IN		INFSI
Ireland		Irish National Clearing Code				IE		IEBCC
Italy		Italian Domestic Identification Code				IT		ITBCC
Japan		Japan Zengin Clearing Code				JP		JPZGN
New Zealand		New Zealand National Clearing Code				NZ		NZBCC
Poland		Polish National Clearing Code				PL		PLKBR
Portugal		Portuguese National Clearing Code				PT		PTBCC
Russia		Russian Central Bank Identification Code				RU		RUCBC
South Africa		South African National Clearing Code				ZA		ZANCC
Spain		Spanish Domestic Interbanking Code				ES		ESBCC
Switzerland		Swiss Clearing Code (BC Code)				SW		CHBCC
Switzerland		Swiss Clearing Code (SIC Code)				SW		CHSIC
UK		UK Domestic Sort Code				SC		GBDSC
US		CHIPS Participant Identifier				CP		USPID
US		United States Routing Number				FW		USABA
Example								
MT								
12A//BL12345678								
BANKDEFF								
		ISO 20022 equivalent						
		<DstrAg>						
		<FinInstId>						
		<BICF>BANKDEFF</BICF>						
		<ClrSysMmbld>						
		<ClrSysId>						
		<Cd>DEBLZ</Cd>						
		<ClrSysId>						
		<Mmbld>12345678</Mmbld>						
		<ClrSysMmbld>						
		</FinInstId>						
		</DstrAg>						

Name	Option	Subfield	Format	M/O	Mapping condition	ISO mapping	Comment	Target 2 Rule
71A Details of Charges						ChargeBearer		
	A	-	31a	M		ChargeBearer/CRED		
						ChargeBearer/DEBT		
						ChargeBearer/SHAR		
71F Sender's Charges						ChargesInformation		
	F	-	31a15d	O		ChargesInformation/Amount		
	-	-	-	-		ChargesInformation/Agent	In ISO ChargesInformation/Agent, i.e. the party that has lifted charges, is mandatory whereas it is implicit in the MT 103 and understood from the payment chain. In case of content mapping, the information to be copied in the Agent element will have to be deduced from the chain. In case this is not possible (MT limitations), the value "As per payment chain" needs to be written in the ChargesInformation/Agent/FinancialInstitutionIdentification/Name	
71G Receiver's Charges						ChargesInformation		
	G	-	31a15d	O		ChargesInformation/Amount		
	-	-	-	-		ChargesInformation/Agent	In ISO ChargesInformation/Agent, i.e. the party to which charges are due, is mandatory whereas it is implicit in the MT 103 and understood from the payment chain. In case of content mapping, the information to be copied in the Agent element will have to be deduced from the chain. In case this is not possible (MT limitations), the value "As per payment chain" needs to be written in the ChargesInformation/Agent/FinancialInstitutionIdentification/Name	

Name	Option	Subfield	Format	M/O	Mapping condition	ISO mapping	Comment	Target 2 Rule
20 Sender's Reference	-	-	16x	M		PaymentIdentification/InstructionIdentification		
						GroupHeader/MessageIdentification PaymentIdentification/TransactionIdentification	MessageIdentification and TransactionIdentification are mandatory in pacs.008. If no value can be generated, the advice is to copy the content of field 20.	
70 Remittance Information	-	-	4*35x	O		RemittanceInformation/Unstructured		
					Starts with '/ROC/'	PaymentIdentification/EndToEndIdentification	EndToEndIdentification is mandatory in pacs.008. If field 70 contains '/ROC/', then the content following '/ROC/' can be copied into the element. If field 70 does not contain '/ROC/' and no value can be generated, then the advice is to use 'NOTPROVIDED'.	

Tag	Name	M/O	ISO Mapping	Comment	Target 2 Rule
20	Sender's Reference	M	CreditTransferTransactionInformation/PaymentIdentification/InstructionIdentification	For detailed information on mapping of references, refer to 'mapping references' section.	
13C	Time Indication	O	CreditTransferTransactionInformation/SettlementTimeIndication/DebitDateTime (SNDTIME) CreditTransferTransactionInformation/SettlementTimeIndication/CreditDateTime (RNCTIME) CreditTransferTransactionInformation/Settlement Time Request/TillTime (TILTIME) CreditTransferTransactionInformation/Settlement Time RequestFromTime (FROTIME) CreditTransferTransactionInformation/Settlement Time Request/RejectTime (REJTIME)	Mapping depends on code. Corresponding MT code between brackets.	<p>PM:</p> <p>The following codes in addition to the SWIFT standard can be used to set an execution time:</p> <ul style="list-style-type: none"> • Time Indication (TILTIME) • Time Indication (FROTIME) • Time Indication (REJTIME) <p>hhmm must be before the cut-off time for customer payments (17.00 under normal circumstances).</p> <p>If TILTIME and REJTIME are both mentioned only the first one is used by SSP.</p> <p>HAM:</p> <p>In the outgoing messages it contains the settlement time. The format is:</p> <ul style="list-style-type: none"> • /SNDTIME/hhmm+iinn <p>Note: ii and nn are the hours and minutes of UTC shift.</p> <p>Note:</p> <p>Settlement Time Indication and Settlement Time Request, if used, must be quoted in CET and must contain the offset against UTC.</p>
23B	Bank Operation Code	M	CreditTransferTransactionInformation/PaymentTypeInformation/LocalInstrument/Proprietary (CRED, SPAY, SSTD, SPRI, CRTS)	In the MT 103 the codes are used to indicate whether the message is sent under a SWIFT service level agreement (SLA). Although these SLAs have been defined specifically for the MT 103, the codes have also been used outside of MT 103 specific SLAs, under bilateral or community agreement between correspondents. To cater for these cases, the codes can be mapped to LocalInstrument in the pacs.008.	
23E	Instruction Code	O	CreditTransferTransactionInformation/PaymentTypeInformation/ServiceLevel/Code (SDVA) CreditTransferTransactionInformation/PaymentTypeInformation/CategoryPurpose/Code (INTC, CORT)	Mapping depends on code. Corresponding MT code between brackets.	
26T	Transaction Type Code	O	CreditTransferTransactionInformation/Purpose/Proprietary		
32A	Value Date/Currency/Interbank Settled Amount	M	CreditTransferTransactionInformation/InterBankSettlementAmount CreditTransferTransactionInformation/InterBankSettlementDate		<p>Only "EUR" is valid currency.</p> <p>Payments can be sent for the current business day and up to five TARGET working days in advance.</p> <p>Exception:</p> <p>Value date check is switched off for the sender's RTGS account by the responsible CB or TARGET2-OT.</p>
33B	Currency/Instructed Amount	O	CreditTransferTransactionInformation/InstructedAmount		
36	Exchange Rate	O	CreditTransferTransactionInformation/ExchangeRate		
50a	Ordering Customer	M	CreditTransferTransactionInformation/Debtor CreditTransferTransactionInformation/DebtorAccount	For detailed mapping of field options, refer to 'mapping party' section.	
52A	Ordering Institution	O	CreditTransferTransactionInformation/DebtorAgent CreditTransferTransactionInformation/DebtorAgentAccount	For detailed mapping of field options, refer to 'mapping financial institution' section.	
53a	Sender's Correspondent	O	GroupHeader/SettlementInformation/SettlementAccount GroupHeader/SettlementInformation/InstructingReimbursementAgent GroupHeader/SettlementInformation/InstructingReimbursementAgentAccount	For detailed mapping of field options, refer to 'mapping financial institution' section.	
54A	Receiver's Correspondent	O	GroupHeader/SettlementInformation/InstructedReimbursementAgent GroupHeader/SettlementInformation/InstructedReimbursementAgentAccount	For detailed mapping of field options, refer to 'mapping financial institution' section.	
55A	Third Reimbursement Institution	O	GroupHeader/SettlementInformation/ThirdReimbursementAgent GroupHeader/SettlementInformation/ThirdReimbursementAgentAccount	For detailed mapping of field options, refer to 'mapping financial institution' section.	
56A	Intermediary Institution	O	CreditTransferTransactionInformation/IntermediaryAgent1 CreditTransferTransactionInformation/IntermediaryAgent1Account	For detailed mapping of field options, refer to 'mapping financial institution' section.	

Tag	Name	M/O	ISO Mapping	Comment	Target 2 Rule
57A	Account With Institution	O	CreditTransferTransactionInformation/CreditorAgent CreditTransferTransactionInformation/CreditorAgentAccount	For detailed mapping of field options, refer to 'mapping financial institution' section.	
59a	Beneficiary Customer	M	CreditTransferTransactionInformation/Creditor CreditTransferTransactionInformation/CreditorAccount	For detailed mapping of field options, refer to 'mapping party' section.	
70	Remittance Information	O	CreditTransferTransactionInformation/RemittanceInformation/Unstructured CreditTransferTransactionInformation/PaymentIdentification/EndToEndIdentification (ROC)	For detailed information on mapping of references, refer to 'mapping references' section.	
71A	Details of Charges	M	CreditTransferTransactionInformation/ChargeBearer	For detailed mapping of field options, refer to 'mapping charges' section.	
71F	Sender's Charges	O	CreditTransferTransactionInformation/ChargesInformation/Amount	For detailed mapping of field options, refer to 'mapping charges' section.	
71G	Receiver's Charges	O	CreditTransferTransactionInformation/ChargesInformation/Amount	For detailed mapping of field options, refer to 'mapping charges' section.	
72	Sender to Receiver Information	O	CreditTransferTransactionInformation/InstructionForNextAgent/InstructionInformation CreditTransferTransactionInformation/PreviousInstructingAgent (INS)		
72	Sender to Receiver Information	O	CreditTransferTransactionInformation/SettlementTimeRequest/CLSTime (CLSTIME)	In Target 2 the codeword /CLSTIME/ is used in field 72 and not according to the SWIFT standard in field 13C.	This tag can be used to set an execution time: hh:mm:ss.sss+/-ii:nn hh:mm:ss.sss must be before the cut-off time for customer payments (17.00 under normal circumstances) Note: ii and nn are the hours and minutes of UTC shift whereas the „hh:mm:ss.sss“ are to be filled with the local time of the user. But note that tag (CLSTm) is ignored by TARGET 2, if tag (TillTm) or (RjCTm) is used.
77B	Regulatory Reporting	O	CreditTransferTransactionInformation/RegulatoryReporting/Details/Information		

Name	Option	Subfield	Format	M/O	Mapping condition	ISO mapping	Comment	Target 2 Rule	
50a Ordering Customer						Debtor			
	50A	Account	[/34x]	O		DebtorAccount/Identification	Within Identification the options IBAN or Other/Identification are available.		
		Identifier Code	4!a2!a2!c[3!c]	M		Debtor/Identification/OrganisationIdentification/AnyBIC			
	50F	Party Identifier	35x	M					
			OR	Account (/34x)			DebtorAccount/Identification		
		OR	Code	ARNU			Debtor/Identification/PrivateIdentification/Other/SchemeName/Code/ARNU		
				CCPT			Debtor/Identification/PrivateIdentification/Other/SchemeName/Code/CCPT		
				CUST			Debtor/Identification/PrivateIdentification/Other/SchemeName/Code/CUST		
		OR	Country Code	DRLC			Debtor/Identification/PrivateIdentification/Other/SchemeName/Code/DRLC		
				EMPL			Debtor/Identification/PrivateIdentification/Other/SchemeName/Code/EMPL		
				NIDN			Debtor/Identification/PrivateIdentification/Other/SchemeName/Code/NIDN		
		OR	Identifier	SOSE			Debtor/Identification/PrivateIdentification/Other/SchemeName/Code/SOSE		
				TXID			Debtor/Identification/PrivateIdentification/Other/SchemeName/Code/TXID		
	OR	Country Code				Debtor/Identification/PrivateIdentification/Other/Issuer	In case of codes CUST, DRLC or EMPL the Issuer will be the country code, followed by a slash '/', followed by the part of the Identifier until the slash '/'		
						Code is ARNU, CCPT, NIDN, SOSE, TXID	Debtor/Identification/PrivateIdentification/Other/Identification		
	OR	Identifier				Code is CUST, DRLC, EMPL	Debtor/Identification/PrivateIdentification/Other/Issuer Debtor/Identification/PrivateIdentification/Other/Identification	In case of mapping content, the Identification will be the country code, followed by a slash '/', followed by the part of the Identifier as of the slash '/'	
	Name and Address	4*35x	M	Number Details	1	Debtor/Name			
					2	Debtor/PostalAddress/AddressLine			
					3	Debtor/PostalAddress/TownName			
4					Debtor/PostalAddress/Country				
5					Debtor/Identification/PrivateIdentification/DateAndPlaceOfBirth/BirthDate				
6					Debtor/Identification/PrivateIdentification/DateAndPlaceOfBirth/CountryOfBirth				
7					Debtor/Identification/PrivateIdentification/DateAndPlaceOfBirth/CityOfBirth				
8					Debtor/Identification/PrivateIdentification/Other/SchemeName/Code/CUST				
8					Debtor/Identification/PrivateIdentification/Other/Issuer				
8	Debtor/Identification/PrivateIdentification/Other/Identification								
8	Debtor/Identification/PrivateIdentification/Other/Identification					In case of mapping content, the information following 8/ will further complete the Identification.			
50K	Account	[/34x]	O		DebtorAccount/Identification	Within Identification the options IBAN or Other/Identification are available.			
	Name and Address	4*35x	M	Line 1	Debtor/Name				
					Lines 2-4	Debtor/PostalAddress/AddressLine			
59a Beneficiary Customer						Creditor			
	59A	Account	[/34x]	O		CreditorAccount/Identification	Within Identification the options IBAN or Other/Identification are available.		
		Identifier Code	4!a2!a2!c[3!c]	M		Creditor/Identification/OrganisationIdentification/AnyBIC			
	59	Account	[/34x]	O		CreditorAccount/Identification			
		Name and Address	4*35x	M	Line 1	Creditor/Name			
					Lines 2-4	Creditor/PostalAddress/AddressLine			

Name	Option	Subfield	Format	M/O	Mapping condition	ISO mapping	Comment	Target 2 Rule
52A Ordering Institution						DebtorAgent	DebtorAgent is mandatory in pacs.008. If in the MT field 52a Ordering Institution is not present, then the Sender must be mapped to DebtorAgent.	Usage as Mandated Payment: Mandatory to debit the participant's account (and not CBs account). The BIC must be a direct participant, which is the account holder (no multi-addressee or addressable BIC is allowed).
	52A	Party Identifier	[/1a]/[34x]	O	Starts with '/'	DebtorAgentAccount/Identification	Within Identification the options IBAN or Other/Identification are available.	
					Starts with '//'	DebtorAgent/FinancialInstitutionIdentification/ClearingSystemMemberIdentification	Within ClearingSystemMemberIdentification the ClearingSystemIdentification and MemberIdentification within the ClearingSystem will be provided. The mapping of ClearingSystemIdentification between MT and ISO 20022 is shown in the table below.	
		Identifier Code	4!a2!a2!c[3!c]	M		DebtorAgent/FinancialInstitutionIdentification/BICFI		
53a Sender's Correspondent						InstructingReimbursementAgent		Usage as Mandated Payment: Not used by TARGET 2.
53A	Party Identifier	[/1a]/[34x]	O	Starts with '/'	SettlementInformation/InstructingReimbursementAgentAccount/Identification	Within Identification the options IBAN or Other/Identification are available.		
				Starts with '//'	SettlementInformation/InstructingReimbursementAgent/FinancialInstitutionIdentification/ClearingSystemMemberIdentification	Within ClearingSystemMemberIdentification the ClearingSystemIdentification and MemberIdentification within the ClearingSystem will be provided. The mapping of ClearingSystemIdentification between MT and ISO 20022 is shown in the table below.		
				Identifier Code	4!a2!a2!c[3!c]	M	SettlementInformation/InstructingReimbursementAgent/FinancialInstitutionIdentification/BICFI	
	53B	Party Identifier	[/1a]/[34x]	M		SettlementInformation/SettlementAccount/Identification	Within Identification the options IBAN or Other/Identification are available.	
		Location	[35x]	O		SettlementInformation/InstructingReimbursementAgent/FinancialInstitutionIdentification/Name		
54A Receiver's Correspondent						InstructedReimbursementAgent		Usage as Mandated Payment: Not used by TARGET 2.
54A	Party Identifier	[/1a]/[34x]	O	Starts with '/'	SettlementInformation/InstructedReimbursementAgentAccount/Identification	Within Identification the options IBAN or Other/Identification are available.		
				Starts with '//'	SettlementInformation/InstructedReimbursementAgent/FinancialInstitutionIdentification/ClearingSystemMemberIdentification	Within ClearingSystemMemberIdentification the ClearingSystemIdentification and MemberIdentification within the ClearingSystem will be provided. The mapping of ClearingSystemIdentification between MT and ISO 20022 is shown in the table below.		
	Identifier Code	4!a2!a2!c[3!c]	M		SettlementInformation/InstructedReimbursementAgent/FinancialInstitutionIdentification/BICFI			
55A Third Reimbursement Institution						ThirdReimbursementAgent		Usage as Mandated Payment: Not used by TARGET 2.

Name	Option	Subfield	Format	M/O	Mapping condition	ISO mapping	Comment	Target 2 Rule
	55A	Party Identifier	[/1a]/[34x]	O	Starts with '/'	SettlementInformation/ThirdReimbursementAgentAccount/Identification	Within Identification the options IBAN or Other/Identification are available.	
					Starts with '//'	SettlementInformation/ThirdReimbursementAgent/FinancialInstitutionIdentification/ClearingSystemMemberIdentification	Within ClearingSystemMemberIdentification the ClearingSystemIdentification and MemberIdentification within the ClearingSystem will be provided. The mapping of ClearingSystemIdentification between MT and ISO 20022 is shown in the table below.	
		Identifier Code	4!a2!a2!c[3!c]	M		SettlementInformation/ThirdReimbursementAgent/FinancialInstitutionIdentification/BICFI		
56A Intermediary Institution	56A	Party Identifier	[/1a]/[34x]	O	Starts with '/'	IntermediaryAgent1Account/Identification	Within Identification the options IBAN or Other/Identification are available.	
					Starts with '//'	IntermediaryAgent1/FinancialInstitutionIdentification/ClearingSystemMemberIdentification	Within ClearingSystemMemberIdentification the ClearingSystemIdentification and MemberIdentification within the ClearingSystem will be provided. The mapping of ClearingSystemIdentification between MT and ISO 20022 is shown in the table below.	
		Identifier Code	4!a2!a2!c[3!c]	M		IntermediaryAgent1/FinancialInstitutionIdentification/BICFI		
57A Account With Institution	57A	Party Identifier	[/1a]/[34x]	O	Starts with '/'	CreditorAgentAccount/Identification	Within Identification the options IBAN or Other/Identification are available.	
					Starts with '//'	CreditorAgent/FinancialInstitutionIdentification/ClearingSystemMemberIdentification	Within ClearingSystemMemberIdentification the ClearingSystemIdentification and MemberIdentification within the ClearingSystem will be provided. The mapping of ClearingSystemIdentification between MT and ISO 20022 is shown in the table below.	
		Identifier Code	4!a2!a2!c[3!c]	M		CreditorAgent/FinancialInstitutionIdentification/BICFI		

ClearingSystemIdentification mapping

Country	System	MT clearing system code	ISO 20022 clearing system code
Australia	Australian Bank State Branch Code (BSB)	AU	AUBSB
Austria	Austrian Bankkettzahl	AT	ATBLZ
Canada	Canadian Payments Association Payment Routing Number	CC	CACPA
China	CNAPS Identifier	CN	CNAPS
Germany	German Bankkettzahl	BL	DEBLZ
Greece	Hellenic Bank Identification Code	GR	GRHIC
Hong Kong	Hong Kong Bank Code	HK	HKICC
India	Indian Financial System Code	IN	INFSC
Ireland	Irish National Clearing Code	IE	IEGCC
Italy	Italian Domestic Identification Code	IT	ITDCC

Name	Option	Subfield	Format	M/O	Mapping condition	ISO mapping	Comment	Target 2 Rule
Italy		Italian Domestic Identification Code				ITNCC		
Japan		Japan Zengin Clearing Code				JPZGN		
New Zealand		New Zealand National Clearing Code				NZNCC		
Poland		Polish National Clearing Code				PLKNR		
Portugal		Portuguese National Clearing Code				PTNCC		
Russia		Russian Central Bank Identification Code				RUCBC		
South Africa		South African National Clearing Code				ZANCC		
Spain		Spanish Domestic Interbanking Code				ESNCC		
Switzerland		Swiss Clearing Code (BC Code)				CHBCC		
Switzerland		Swiss Clearing Code (SIC Code)				CHSIC		
UK		UK Domestic Sort Code				GBDSC		
US		CHIPS Participant Identifier				USPID		
US		United States Routing Number				USABA		
Example								
MT :52A://BL12345678 BANKDEFF		ISO 20022 equivalent						
		<DtrAgt> <FinInstnId> <BICFI>BANKDEFF</BICFI> <CrSysMmbld> <CrSysId> <Cd>DEBLZ</Cd> <CrSysId> <Mmbld>12345678</Mmbld> </CrSysMmbld> </FinInstnId> </DtrAgt>						

Name	Option	Subfield	Format	M/O	Mapping condition	ISO mapping	Comment	Target 2 Rule
71A Details of Charges						ChargeBearer		
	A	-	31a	M		ChargeBearer/CRED		
					BEN	ChargeBearer/DEBT		
					OUR	ChargeBearer/SHAR		
71F Sender's Charges						ChargesInformation		
	F	-	31a15d	O		ChargesInformation/Amount		
	-	-	-	-		ChargesInformation/Agent	In ISO ChargesInformation/Agent, i.e. the party that has lifted charges, is mandatory whereas it is implicit in the MT 103 and understood from the payment chain. In case of content mapping, the information to be copied in the Agent element will have to be deduced from the chain. In case this is not possible (MT limitations), the value "As per payment chain" needs to be written in the ChargesInformation/Agent/FinancialInstitutionIdentification/Name	
71G Receiver's Charges						ChargesInformation		
	G	-	31a15d	O		ChargesInformation/Amount		
	-	-	-	-		ChargesInformation/Agent	In ISO ChargesInformation/Agent, i.e. the party to which charges are due, is mandatory whereas it is implicit in the MT 103 and understood from the payment chain. In case of content mapping, the information to be copied in the Agent element will have to be deduced from the chain. In case this is not possible (MT limitations), the value "As per payment chain" needs to be written in the ChargesInformation/Agent/FinancialInstitutionIdentification/Name	

Name	Option	Subfield	Format	M/O	Mapping condition	ISO mapping	Comment	Target 2 Rule
20 Sender's Reference	-	-	16x	M		PaymentIdentification/InstructionIdentification		
						GroupHeader/MessageIdentification PaymentIdentification/TransactionIdentification	MessageIdentification and TransactionIdentification are mandatory in pacs.008. If no value can be generated, the advice is to copy the content of field 20.	
70 Remittance Information	-	-	4*35x	O		RemittanceInformation/Unstructured		
					Starts with '/ROC/'	PaymentIdentification/EndToEndIdentification	EndToEndIdentification is mandatory in pacs.008. If field 70 contains '/ROC/', then the content following '/ROC/' can be copied into the element. If field 70 does not contain '/ROC/' and no value can be generated, then the advice is to use 'NOTPROVIDED'.	

Tag	Name	M/O	ISO Mapping	Comment	Target 2 Rule
20	Transaction Reference Number	M	CreditTransferTransactionInformation/PaymentIdentification/InstructionIdentification	For detailed information on mapping of references, refer to 'mapping references' section.	
21	Related Reference	M	CreditTransferTransactionInformation/PaymentIdentification/EndToEndIdentification	For detailed information on mapping of references, refer to 'mapping references' section.	
13C	Time Indication	O	CreditTransferTransactionInformation/SettlementTimeIndication/DebitDateTime (SNDTIME) CreditTransferTransactionInformation/SettlementTimeIndication/CreditDateTime (RNCTIME) CreditTransferTransactionInformation/Settlement Time Request/TillTime (TILTIME) CreditTransferTransactionInformation/Settlement Time RequestFromTime (FROTIME) CreditTransferTransactionInformation/Settlement Time Request/RejectTime (REJTIME)	Mapping depends on code. Corresponding MT code between brackets.	<p>PM: The following codes in addition to the SWIFT standard can be used to set an execution time:</p> <ul style="list-style-type: none"> • Time Indication (TILTIME) • Time Indication (FROTIME) • Time Indication (REJTIME) <p>hhmm must be before the cut-off time for customer payments (17.00 under normal circumstances).</p> <p>If TILTIME and REJTIME are both mentioned only the first one is used by SSP.</p> <p>HAM: In the outgoing messages it contains the settlement time. The format is:</p> <ul style="list-style-type: none"> • /SNDTIME/hhmm+iinn <p>Note: ii and nn are the hours and minutes of UTC shift.</p> <p>Note: Settlement Time Indication and Settlement Time Request, if used, must be quoted in CET and must contain the offset against UTC.</p>
32A	Value Date, Currency Code, Amount	M	CreditTransferTransactionInformation/InterBankSettlementAmount CreditTransferTransactionInformation/InterBankSettlementDate		<p>Only "EUR" is valid currency. Payments can be sent for the current business day and up to five TARGET working days in advance. Exception: Value date check is switched off for the sender's RTGS account by the responsible CB or TARGET2-OT. ASI Exceptions: Warehoused liquidity transfers to ASI are not supported.</p>
52a	Ordering Institution	O	CreditTransferTransactionInformation/Debtor CreditTransferTransactionInformation/DebtorAccount	For detailed mapping of field options, refer to 'mapping financial institution' section.	
53a	Sender's Correspondent	O	GroupHeader/SettlementInformation/SettlementAccount GroupHeader/SettlementInformation/InstructingReimbursementAgent GroupHeader/SettlementInformation/InstructingReimbursementAgentAccount	For detailed mapping of field options, refer to 'mapping financial institution' section.	Additional information (Must not be filled in messages linked to ancillary system settlement)
54a	Receiver's Correspondent	O	GroupHeader/SettlementInformation/InstructedReimbursementAgent GroupHeader/SettlementInformation/InstructedReimbursementAgentAccount	For detailed mapping of field options, refer to 'mapping financial institution' section.	
56a	Intermediary	O	CreditTransferTransactionInformation/IntermediaryAgent1 CreditTransferTransactionInformation/IntermediaryAgent1Account	For detailed mapping of field options, refer to 'mapping financial institution' section.	
57a	Account With Institution	O	CreditTransferTransactionInformation/CreditorAgent CreditTransferTransactionInformation/CreditorAgentAccount	For detailed mapping of field options, refer to 'mapping financial institution' section.	
58a	Beneficiary Institution	M	CreditTransferTransactionInformation/Creditor CreditTransferTransactionInformation/CreditorAccount	For detailed mapping of field options, refer to 'mapping financial institution' section.	
72	Sender to Receiver Information	O	CreditTransferTransactionInformation/InstructionForNextAgent/InstructionInformation CreditTransferTransactionInformation/PreviousInstructingAgent (INS)	None of the codes defined for use in MT field 72 are individually mapped with exception of code /INS/.	
72	Sender to Receiver Information	O	CreditTransferTransactionInformation/SettlementTimeRequest/CLSTime (CLSTIME)	In Target 2 the codeword /CLSTIME/ is used in field 72 and not according to the SWIFT standard in field 13C.	<p>This tag can be used to set an execution time: hh:mm:ss.sss+/-ii:nn hh:mm:ss.sss must be before the cut-off time for customer payments (17.00 under normal circumstances) Note: ii and nn are the hours and minutes of UTC shift whereas the „hh:mm:ss.sss“ are to be filled with the local time of the user. But note that tag (CLSTm) is ignored by TARGET 2, if tag (TillTm) or (RjcTm) is used.</p>

Name	Option	Subfield	Format	M/O	Mapping condition	ISO mapping	Comment	Target 2 Rule
52a Ordering Institution						Debtor	Debtor is mandatory in pacs.009. If in the MT field 52a Ordering Institution is not present, then the Sender must be mapped to Debtor.	<p>Usage as Mandated Payment: Element (Dbtr) is mandatory to debit the participant's account (and not CBs account). The BIC must be a direct participant, which is the account holder (no multi-addressee or addressable BIC is allowed).</p> <p>Usage of as Connected Payment (increase credit line): The amount will be credited on the sender's account.</p> <p>In case of messages addressed to TRGTXPMT2S, used to pull liquidity from T2S, the tag may not be used. The DCA to be debited has to be mentioned in element Instructing Reimbursement Agent.</p> <p>ASI: In case of Mandated Payment to Mirror or Sub account, this field is mandatory and the BIC must be a BIC11 and identify a settlement bank of the AS. Otherwise no checks are made. For Liquidity transfer to mirror account the BIC will be mapped to the Debtor BIC in AStransfernotice. For ASI notification present only if valid BIC is indicated as debtor in the AsTransferInitiation. Here the BIC designates the debited settlement agent in the AS.</p>
	52A							
		Party Identifier	[/1!a][/34x]	O	Starts with '/'	DebtorAccount/Identification	Within Identification the options IBAN or Other/Identification are available.	
					Starts with '/'	Debtor/FinancialInstitutionIdentification/ClearingSystemMemberIdentification	Within ClearingSystemMemberIdentification the ClearingSystemIdentification and MemberIdentification within the ClearingSystem will be provided. The mapping of ClearingSystemIdentification between MT and ISO 20022 is shown in the table below.	In case of messages addressed to TRGTXPMT2S, used to pull liquidity from T2S, the tag may not be used. The DCA to be debited has to be mentioned in element (Instructing Reimbursement Agent).
		Identifier Code	4!a2!a2!c[3!c]	M		Debtor/FinancialInstitutionIdentification/BICFI		
	52D							
		Party Identifier	[/1!a][/34x]	O	Starts with '/'	DebtorAccount/Identification	Within Identification the options IBAN or Other/Identification are available.	<p>In case of messages addressed to TRGTXPMT2S, used to pull liquidity from T2S, the element may not be used. The DCA to be debited has to be mentioned in Tag (Instructing Reimbursement Agent).</p> <p>For ASI if information is present no check. Account number will be mapped to debtor information in AstransferNotice for integrated AS. For ASI notification if present, copy of the account number indicated in Debtor account of ASTI if BIC is present in Debtor of ASTI.</p>
					Starts with '/'	Debtor/FinancialInstitutionIdentification/ClearingSystemMemberIdentification	Within ClearingSystemMemberIdentification the ClearingSystemIdentification and MemberIdentification within the ClearingSystem will be provided. The mapping of ClearingSystemIdentification between MT and ISO 20022 is shown in the table below.	In case of messages addressed to TRGTXPMT2S, used to pull liquidity from T2S, the tag may not be used. The DCA to be debited has to be mentioned in element (Instructing Reimbursement Agent).
		Name and Address	4*35x	M	Line 1	Debtor/FinancialInstitutionIdentification/Name		
					Lines 2-4	Debtor/FinancialInstitutionIdentification/PostalAddress/AddressLine		

53a Sender's Correspondent						InstructingReimbursementAgent		Must not be filled in messages linked to ancillary system settlement.
	53A	Party Identifier	[/1!a]/[34x]	O	Starts with '/'	SettlementInformation/InstructingReimbursementAgentAccount/Identification	Within Identification the options IBAN or Other/Identification are available.	
					Starts with '//'	SettlementInformation/InstructingReimbursementAgent/FinancialInstitutionIdentification/ClearingSystemMemberIdentification	Within ClearingSystemMemberIdentification the ClearingSystemIdentification and MemberIdentification within the ClearingSystem will be provided. The mapping of ClearingSystemIdentification between MT and ISO 20022 is shown in the table below.	
		Identifier Code	4!a2!a2!c[3!c]	M		SettlementInformation/InstructingReimbursementAgent/FinancialInstitutionIdentification/BICFI		In messages addressed to TRGTXPMT2S it is used to pull liquidity from the indicated DCA in T2S. Option A with the BIC of the DCA account holder and the DCA account ID to be debited is mandatory.
	53D	Party Identifier	[/1!a]/[34x]	O	Starts with '/'	SettlementInformation/InstructingReimbursementAgentAccount/Identification		In messages addressed to TRGTXPMT2S it is used to pull liquidity from the indicated DCA in T2S. BIC of the DCA account holder and the DCA account ID to be debited is mandatory.
					Starts with '//'	SettlementInformation/InstructingReimbursementAgent/FinancialInstitutionIdentification/ClearingSystemMemberIdentification	Within ClearingSystemMemberIdentification the ClearingSystemIdentification and MemberIdentification within the ClearingSystem will be provided. The mapping of ClearingSystemIdentification between MT and ISO 20022 is shown in the table below.	
Name and Address		4*35x	M	Line 1	SettlementInformation/InstructingReimbursementAgent/FinancialInstitutionIdentification/Name			
				Lines 2-4	SettlementInformation/InstructingReimbursementAgent/FinancialInstitutionIdentification/PostalAddress/AddressLine			
54a Receiver's Correspondent					InstructedReimbursementAgent		Usage Mandated Payment: Not used. PM: • Must not be filled in messages linked to ancillary system settlement. • Must not be used in messages addressed to TRGTXPMT2S.	
54A	Party Identifier	[/1!a]/[34x]	O	Starts with '/'	SettlementInformation/InstructedReimbursementAgentAccount/Identification	Within Identification the options IBAN or Other/Identification are available.		
				Starts with '//'	SettlementInformation/InstructedReimbursementAgent/FinancialInstitutionIdentification/ClearingSystemMemberIdentification	Within ClearingSystemMemberIdentification the ClearingSystemIdentification and MemberIdentification within the ClearingSystem will be provided. The mapping of ClearingSystemIdentification between MT and ISO 20022 is shown in the table below.		
	Identifier Code	4!a2!a2!c[3!c]	M		SettlementInformation/InstructedReimbursementAgent/FinancialInstitutionIdentification/BICFI			
54B	Party Identifier	[/1!a]/[34x]	O		SettlementInformation/InstructedReimbursementAgentAccount/Identification	Within Identification the options IBAN or Other/Identification are available.		
	Location	[35x]	O		SettlementInformation/InstructedReimbursementAgent/FinancialInstitutionIdentification/Name			
54D	Party Identifier	[/1!a]/[34x]	O	Starts with '/'	SettlementInformation/InstructedReimbursementAgentAccount/Identification	Within Identification the options IBAN or Other/Identification are available.		

				Starts with '/'	SettlementInformation/InstructedReimbursementAgent/FinancialInstitutionIdentification/ClearingSystemMemberIdentification	Within ClearingSystemMemberIdentification the ClearingSystemIdentification and MemberIdentification within the ClearingSystem will be provided. The mapping of ClearingSystemIdentification between MT and ISO 20022 is shown in the table below.	
	Name and Address	4*35x	M	Line 1	SettlementInformation/InstructedReimbursementAgent/FinancialInstitutionIdentification/Name		
				Lines 2-4	SettlementInformation/InstructedReimbursementAgent/FinancialInstitutionIdentification/PostalAddress/AddressLine		
56a Intermediary					IntermediaryAgent1		Usage as Mandated Payment: Not used. PM: • Must not be filled in messages linked to ancillary system settlement • Must not be used in messages addressed to TRGTXPMT2S.
	56A						
	Party Identifier	[/1!a]/[34x]	O	Starts with '/'	IntermediaryAgent1Account/Identification	Within Identification the options IBAN or Other/Identification are available.	
				Starts with '/'	IntermediaryAgent1/FinancialInstitutionIdentification/ClearingSystemMemberIdentification	Within ClearingSystemMemberIdentification the ClearingSystemIdentification and MemberIdentification within the ClearingSystem will be provided. The mapping of ClearingSystemIdentification between MT and ISO 20022 is shown in the table below.	
	Identifier Code	4!a2!a2!c[3!c]	M		IntermediaryAgent1/FinancialInstitutionIdentification/BICFI		
57a Account With Institution					CreditorAgent	CreditorAgent is mandatory in pacs.008. If in the MT field 57a Account With Institution is not present, then the Receiver must be mapped to CreditorAgent.	
	57A						
	Party Identifier	[/1!a]/[34x]	O	Starts with '/'	CreditorAgentAccount/Identification	Within Identification the options IBAN or Other/Identification are available.	Must not be used in messages addressed to TRGTXPMT2S.
				Starts with '/'	CreditorAgent/FinancialInstitutionIdentification/ClearingSystemMemberIdentification	Within ClearingSystemMemberIdentification the ClearingSystemIdentification and MemberIdentification within the ClearingSystem will be provided. The mapping of ClearingSystemIdentification between MT and ISO 20022 is shown in the table below.	For ASI mandatory for Liquidity transfer to Mirror Account. (integrated AS) Forbidden for Liquidity transfer to Sub account (Interfaced AS)
	Identifier Code	4!a2!a2!c[3!c]	M		CreditorAgent/FinancialInstitutionIdentification/BICFI		Must not be used in messages addressed to TRGTXPMT2S. For ASI mandatory for Liquidity transfer to mirror account. The BIC must be the one of an mirror account of the AS of which the debited participant is a settlement bank.

58a Beneficiary Institution						Creditor		Only relevant if message is addressed to a technical TARGET2 BIC (otherwise the amount will be credited on receivers account). For ASI the final beneficiary account to be credited on he AS (identified by a BIC and/or the account number in the AS books).
	58A	Party Identifier	[/1a][/34x]	O	Starts with '/'	CreditorAccount/Identification	Within Identification the options IBAN or Other/Identification are available.	
					Starts with '//'	Creditor/FinancialInstitutionIdentification/ClearingSystemMemberIdentification	Within ClearingSystemMemberIdentification the ClearingSystemIdentification and MemberIdentification within the ClearingSystem will be provided. The mapping of ClearingSystemIdentification between MT and ISO 20022 is shown in the table below.	
	Identifier Code	4!a2!a2!c[3!c]	M			Creditor/FinancialInstitutionIdentification/BICFI		Mandatory for messages addressed to TRGTXPMT2S – BIC of the DCA account holder and the DCA account ID to be credited, – Or BIC of the RTGS account to be credited. Usage as Mandated Payment: Mandatory in case of Mandated Payments to HAM Account Holder, CB Customers and T2S. Usage as Connected Payment (increase credit line): Must be the BIC of a direct participant. For liquidity transfer interfaced AS, the BIC is mandatory and must be the same as the one of the debited RTGS account. For liquidity transfer integrated AS, no check and the BIC will be mapped to the Creditor BIC in ATransferNotice. For ASI notification mandatory: If present, BIC mapped from Creditor of ASTI. Otherwise will hold BIC of FinalAgent in ASTI.
	58D	Party Identifier	[/1a][/34x]	O	Starts with '/'	CreditorAccount/Identification	Within Identification the options IBAN or Other/Identification are available.	For liquidity transfer interfaced AS, has to be a sub account of the debited RTGS account For liquidity transfer integrated AS no check and will be mapped to Creditor Identification in ATransferNotice. For ASI notification if present, copy of the account number indicated in Creditor account of ASTI if BIC is present in Debtor of ASTI.
					Starts with '//'	Creditor/FinancialInstitutionIdentification/ClearingSystemMemberIdentification	Within ClearingSystemMemberIdentification the ClearingSystemIdentification and MemberIdentification within the ClearingSystem will be provided. The mapping of ClearingSystemIdentification between MT and ISO 20022 is shown in the table below.	
		Name and Address	4*35x	M	Line 1	Creditor/FinancialInstitutionIdentification/Name		
					Lines 2-4	Creditor/FinancialInstitutionIdentification/PostalAddress/AddressLine		

Country	System	MT clearing system code	ISO 20022 clearing system code
Australia	Australian Bank State Branch Code (BSB)	AU	AUBSB
Austria	Austrian Bankleitzahl	AT	ATBLZ
Canada	Canadian Payments Association Payment Routing Number	CC	CACPA
China	CNAPS Identifier	CN	CNAPS
Germany	German Bankleitzahl	BL	DEBLZ
Greece	Hellenic Bank Identification Code	GR	GRHIC
Hong Kong	Hong Kong Bank Code	HK	HKHCC
India	Indian Financial System Code	IN	INFSC
Ireland	Irish National Clearing Code	IE	IENCC
Italy	Italian Domestic Identification Code	IT	ITNCC
Japan	Japan Zengin Clearing Code	JP	JPZGN
New Zealand	New Zealand National Clearing Code	NZ	NZNCC
Poland	Polish National Clearing Code	PL	PLKNR
Portugal	Portuguese National Clearing Code	PT	PTNCC
Russia	Russian Central Bank Identification Code	RU	RUCBC
South Africa	South African National Clearing Code	ZA	ZANCC
Spain	Spanish Domestic Interbanking Code	ES	ESNCC
Switzerland	Swiss Clearing Code (BC Code)	SW	CHBCC
Switzerland	Swiss Clearing Code (SIC Code)	SW	CHSIC
UK	UK Domestic Sort Code	SC	GBDSC
US	CHIPS Participant Identifier	CP	USPID
US	United States Routing Number	FW	USABA
Example			
MT			
:52A//BL12345678			
BANKDEFF			
	ISO 20022 equivalent		
	<DbrAgt>		
	<FinInstnId>		
	<BICFI>BANKDEFF</BICFI>		
	<ClrSysMmbld>		
	<ClrSysId>		
	<Cd>DEBLZ</Cd>		
	</ClrSysId>		
	<Mmbld>12345678</Mmbld>		
	</ClrSysMmbld>		
	</FinInstnId>		
	</DbrAgt>		

Name	Option	Subfield	Format	M/O	Mapping condition	ISO mapping	Comment	Target 2 Rule
20 Sender's Reference	-	-	16x	M		PaymentIdentification/InstructionIdentification		For liquidity transfers with ASI: Used for unicity check as for "normal" payments
						GroupHeader/MessageIdentification PaymentIdentification/TransactionIdentification	MessageIdentification and TransactionIdentification are mandatory in pacs.009. If no value can be generated, the advice is to copy the content of field 20.	
21 Related Reference	-	-	16x	M		PaymentIdentification/EndToEndIdentification		For liquidity transfers with T2S: Copy to or from EndToEndIdentification of the XML message exchanged with T2S.This is essential for the duplicate check. For liquidity transfers with ASI: Will be mapped to EndToEndId of ATransferNotice. For ASI notification copied from EndToEndIdentification of payment transaction part of ATransferInitiation.

Tag	Name	M/O	ISO Mapping	Comment	Target 2 Rule
Sequence A - General Information					
20	Transaction Reference Number	M	CreditTransferTransactionInformation/PaymentIdentification/InstructionIdentification	For detailed information on mapping of references, refer to 'mapping references' section.	
21	Related Reference	M	CreditTransferTransactionInformation/PaymentIdentification/EndToEndIdentification		
13C	Time Indication	O	CreditTransferTransactionInformation/SettlementTimeIndication/DebitDateTime (SNDTIME) CreditTransferTransactionInformation/SettlementTimeIndication/CreditDateTime (RNCTIME) CreditTransferTransactionInformation/Settlement Time Request/TillTime (TILTIME) CreditTransferTransactionInformation/Settlement Time RequestFromTime (FROTIME) CreditTransferTransactionInformation/Settlement Time Request/RejectTime (REJTIME)	Mapping depends on code. Corresponding MT code between brackets.	PM: The following codes in addition to the SWIFT standard can be used to set an execution time: • Time Indication (TILTIME) • Time Indication (FROTIME) • Time Indication (REJTIME) hhmm must be before the cut-off time for customer payments (17.00 under normal circumstances). If TILTIME and REJTIME are both mentioned only the first one is used by SSP. HAM: In the outgoing messages it contains the settlement time. The format is: • /SNDTIME/hhmm+iinn Note: ii and nn are the hours and minutes of UTC shift. Note: Settlement Time Indication and Settlement Time Request, if used, must be quoted in CET and must contain the offset against UTC.
32A	Value Date, Currency Code, Amount	M	CreditTransferTransactionInformation/InterBankSettlementAmount CreditTransferTransactionInformation/InterBankSettlementDate		Only "EUR" is valid currency. Payments can be sent for the current business day and up to five TARGET working days in advance. Exception: Value date check is switched off for the sender's RTGS account by the responsible CB or TARGET2-OT.
52a	Ordering Institution	O	CreditTransferTransactionInformation/Debtor CreditTransferTransactionInformation/DebtorAccount	For detailed mapping of field options, refer to 'mapping financial institution' section.	
53a	Sender's Correspondent	O	GroupHeader/SettlementInformation/SettlementAccount GroupHeader/SettlementInformation/InstructingReimbursementAgent GroupHeader/SettlementInformation/InstructingReimbursementAgentAccount	For detailed mapping of field options, refer to 'mapping financial institution' section.	
54a	Receiver's Correspondent	O	GroupHeader/SettlementInformation/InstructedReimbursementAgent GroupHeader/SettlementInformation/InstructedReimbursementAgentAccount	For detailed mapping of field options, refer to 'mapping financial institution' section.	
56a	Intermediary	O	CreditTransferTransactionInformation/IntermediaryAgent1 CreditTransferTransactionInformation/IntermediaryAgent1Account	For detailed mapping of field options, refer to 'mapping financial institution' section.	
57a	Account With Institution	O	CreditTransferTransactionInformation/CreditorAgent CreditTransferTransactionInformation/CreditorAgentAccount	For detailed mapping of field options, refer to 'mapping financial institution' section.	
58a	Beneficiary Institution	M	CreditTransferTransactionInformation/Creditor CreditTransferTransactionInformation/CreditorAccount	For detailed mapping of field options, refer to 'mapping financial institution' section.	
72	Sender to Receiver Information	O	CreditTransferTransactionInformation/InstructionForNextAgent/InstructionInformation CreditTransferTransactionInformation/PreviousInstructingAgent (INS)	None of the codes defined for use in MT field 72 are individually mapped with exception of code /INS/.	
72	Sender to Receiver Information	O	CreditTransferTransactionInformation/SettlementTimeRequest/CLSTime (CLSTIME)	In Target 2 the codeword /CLSTIME/ is used in field 72 and not according to the SWIFT standard in field 13C.	This tag can be used to set an execution time: hh:mm:ss.sss+/-ii:nn hh:mm:ss.sss must be before the cut-off time for customer payments (17.00 under normal circumstances) Note: ii and nn are the hours and minutes of UTC shift whereas the „hh:mm:ss.sss” are to be filled with the local time of the user. But note that tag (CLSTm) is ignored by TARGET 2, if tag (TillTm) or (Rjctm) is used.
Sequence B - underlying customer credit transfer details					
50a	Ordering Customer	M	CreditTransferTransactionInformation/UnderlyingCustomerCreditTransfer/Debtor CreditTransferTransactionInformation/UnderlyingCustomerCreditTransfer/DebtorAccount	For detailed mapping of field options, refer to 'mapping party' section.	

Tag	Name	M/O	ISO Mapping	Comment	Target 2 Rule
52a	Ordering Institution	O	CreditTransferTransactionInformation/UnderlyingCustomerCreditTransfer/DebtorAgent CreditTransferTransactionInformation/UnderlyingCustomerCreditTransfer/DebtorAgentAccount	For detailed mapping of field options, refer to 'mapping financial institution' section.	
56a	Intermediary Institution	O	CreditTransferTransactionInformation/UnderlyingCustomerCreditTransfer/IntermediaryAgent1 CreditTransferTransactionInformation/UnderlyingCustomerCreditTransfer/IntermediaryAgent1Account	For detailed mapping of field options, refer to 'mapping financial institution' section.	
57a	Account With Institution	O	CreditTransferTransactionInformation/UnderlyingCustomerCreditTransfer/CreditorAgent CreditTransferTransactionInformation/UnderlyingCustomerCreditTransfer/CreditorAgentAccount	For detailed mapping of field options, refer to 'mapping financial institution' section.	
59a	Beneficiary Customer	M	CreditTransferTransactionInformation/UnderlyingCustomerCreditTransfer/Creditor CreditTransferTransactionInformation/UnderlyingCustomerCreditTransfer/CreditorAccount	For detailed mapping of field options, refer to 'mapping party' section.	
70	Remittance Information	O	CreditTransferTransactionInformation/UnderlyingCustomerCreditTransfer/RemittanceInformation/ Unstructured		
72	Sender to Receiver Information	O	CreditTransferTransactionInformation/XXX CreditTransferTransactionInformation/UnderlyingCustomerCreditTransfer/PreviousInstructingAgent (INS)	Not available in pacs.009. A solution is being identified with PMPG and HVPS Task Force.	
33B	Currency/Instructed Amount	O	CreditTransferTransactionInformation/UnderlyingCustomerCreditTransfer/InstructedAmount		

Name	Option	Subfield	Format	M/O	Mapping condition	ISO mapping	Comment	Target 2 Rule	
Sequence B - underlying customer credit transfer details									
50a Ordering Customer						Debtor			
	50A	Account	[/34x]	O		DebtorAccount/Identification	Within Identification the options IBAN or Other/Identification are available.		
		Identifier Code	4!a2!a2!c[3!c]	M		Debtor/Identification/OrganisationIdentification/AnyBIC			
	50F	Party Identifier	35x	M					
			OR	Account (/34x)			DebtorAccount/Identification		
		OR	Code	ARNU			Debtor/Identification/PrivatIdentification/Other/SchemeName/Code/ARNU		
				CCPT			Debtor/Identification/PrivatIdentification/Other/SchemeName/Code/CCPT		
				CUST			Debtor/Identification/PrivatIdentification/Other/SchemeName/Code/CUST		
				DRLC			Debtor/Identification/PrivatIdentification/Other/SchemeName/Code/DRLC		
		OR	Country Code	EMPL			Debtor/Identification/PrivatIdentification/Other/SchemeName/Code/EMPL		
				NIDN			Debtor/Identification/PrivatIdentification/Other/SchemeName/Code/NIDN		
				SOSE			Debtor/Identification/PrivatIdentification/Other/SchemeName/Code/SOSE		
				TXID			Debtor/Identification/PrivatIdentification/Other/SchemeName/Code/TXID		
	OR	Identifier				Debtor/Identification/PrivatIdentification/Other/Issuer	In case of codes CUST, DRLC or EMPL the Issuer will be the country code, followed by a slash '/', followed by the part of the Identifier until the slash '/'		
						Code is ARNU, CCPT, NIDN, SOSE, TXID	Debtor/Identification/PrivatIdentification/Other/Identification		
						Code is CUST, DRLC, EMPL	Debtor/Identification/PrivatIdentification/Other/Issuer Debtor/Identification/PrivatIdentification/Other/Identification	In case of mapping content, the Identification will be the country code, followed by a slash '/', followed by the part of the Identifier as of the slash '/'	
	Name and Address	4*35x	M	Number Details	1		Debtor/Name		
2						Debtor/PostalAddress/AddressLine			
3						Debtor/PostalAddress/TownName			
4						Debtor/PostalAddress/Country			
5						Debtor/Identification/PrivatIdentification/DateAndPlaceOfBirth/BirthDate			
6						Debtor/Identification/PrivatIdentification/DateAndPlaceOfBirth/CountryOfBirth			
7						Debtor/Identification/PrivatIdentification/DateAndPlaceOfBirth/CityOfBirth			
8						Debtor/Identification/PrivatIdentification/Other/SchemeName/Code/CUST			
8						Debtor/Identification/PrivatIdentification/Other/Issuer			
8		Debtor/Identification/PrivatIdentification/Other/Issuer							
8		Debtor/Identification/PrivatIdentification/Other/Identification							
8		Debtor/Identification/PrivatIdentification/Other/Identification							
						In case of mapping content, the information following 8/ will further complete the Identification.			
50K	Account	[/34x]	O		DebtorAccount/Identification	Within Identification the options IBAN or Other/Identification are available.			
	Name and Address	4*35x	M	Line 1	Debtor/Name				
					Lines 2-4	Debtor/PostalAddress/AddressLine			
59a Beneficiary Customer						Creditor			
	59A	Account	[/34x]	O		CreditorAccount/Identification	Within Identification the options IBAN or Other/Identification are available.		
		Identifier Code	4!a2!a2!c[3!c]	M		Creditor/Identification/OrganisationIdentification/AnyBIC			
	59	Account	[/34x]	O		CreditorAccount/Identification			
		Name and Address	4*35x	M	Line 1	Creditor/Name			
					Lines 2-4	Creditor/PostalAddress/AddressLine			

Name	Option	Subfield	Format	M/O	Mapping condition	ISO mapping	Comment	Target 2 Rule
Sequence A - General Information								
52a Ordering Institution						Debtor	Debtor is mandatory in pacs.009. If in the MT field 52a Ordering Institution is not present, then the Sender must be mapped to Debtor.	Usage as Mandated Payment: Element (Dbtr) is mandatory to debit the participant's account (and not CBs account). The BIC must be a direct participant, which is the account holder (no multi-addressee or addressable BIC is allowed).
	52A	Party Identifier	[/11a]/[34x]	O	Starts with '/'	DebtorAccount/Identification	Within Identification the options IBAN or Other/Identification are available.	
					Starts with '/'	Debtor/FinancialInstitutionIdentification/ClearingSystemMemberIdentification	Within ClearingSystemMemberIdentification the ClearingSystemIdentification and MemberIdentification within the ClearingSystem will be provided. The mapping of ClearingSystemIdentification between MT and ISO 20022 is shown in the table below.	
		Identifier Code	41a21a21c[31c]	M		Debtor/FinancialInstitutionIdentification/BICFI		
	52D	Party Identifier	[/11a]/[34x]	O	Starts with '/'	DebtorAccount/Identification	Within Identification the options IBAN or Other/Identification are available.	
					Starts with '/'	Debtor/FinancialInstitutionIdentification/ClearingSystemMemberIdentification	Within ClearingSystemMemberIdentification the ClearingSystemIdentification and MemberIdentification within the ClearingSystem will be provided. The mapping of ClearingSystemIdentification between MT and ISO 20022 is shown in the table below.	
		Name and Address	4*35x	M	Line 1	Debtor/FinancialInstitutionIdentification/Name		
					Lines 2-4	Debtor/FinancialInstitutionIdentification/PostalAddress/AddressLine		
53a Sender's Correspondent						InstructingReimbursementAgent		
	53A	Party Identifier	[/11a]/[34x]	O	Starts with '/'	SettlementInformation/InstructingReimbursementAgentAccount/Identification	Within Identification the options IBAN or Other/Identification are available.	
					Starts with '/'	SettlementInformation/InstructingReimbursementAgent/FinancialInstitutionIdentification/ClearingSystemMemberIdentification	Within ClearingSystemMemberIdentification the ClearingSystemIdentification and MemberIdentification within the ClearingSystem will be provided. The mapping of ClearingSystemIdentification between MT and ISO 20022 is shown in the table below.	
		Identifier Code	41a21a21c[31c]	M		SettlementInformation/InstructingReimbursementAgent/FinancialInstitutionIdentification/BICFI		
	53B	Party Identifier	[/11a]/[34x]	O		SettlementInformation/SettlementAccount/Identification	Within Identification the options IBAN or Other/Identification are available.	
		Location	[35x]	O		SettlementInformation/InstructingReimbursementAgent/FinancialInstitutionIdentification/Name		
	53D	Party Identifier	[/11a]/[34x]	O	Starts with '/'	SettlementInformation/InstructingReimbursementAgentAccount/Identification		
					Starts with '/'	SettlementInformation/InstructingReimbursementAgent/FinancialInstitutionIdentification/ClearingSystemMemberIdentification	Within ClearingSystemMemberIdentification the ClearingSystemIdentification and MemberIdentification within the ClearingSystem will be provided. The mapping of ClearingSystemIdentification between MT and ISO 20022 is shown in the table below.	
		Name and Address	4*35x	M	Line 1	SettlementInformation/InstructingReimbursementAgent/FinancialInstitutionIdentification/Name		
					Lines 2-4	SettlementInformation/InstructingReimbursementAgent/FinancialInstitutionIdentification/PostalAddress/AddressLine		
54a Receiver's Correspondent						InstructedReimbursementAgent		Usage Mandated Payment: Not used.
	54A	Party Identifier	[/11a]/[34x]	O	Starts with '/'	SettlementInformation/InstructedReimbursementAgentAccount/Identification	Within Identification the options IBAN or Other/Identification are available.	

Name	Option	Subfield	Format	M/O	Mapping condition	ISO mapping	Comment	Target 2 Rule	
	54B	Identifier Code	4!a2!a2!c[3!c]	M	Starts with '/'	SettlementInformation/InstructedReimbursementAgent/FinancialInstitutionIdentification/ClearingSystemMemberIdentification	Within ClearingSystemMemberIdentification the ClearingSystemIdentification and MemberIdentification within the ClearingSystem will be provided. The mapping of ClearingSystemIdentification between MT and ISO 20022 is shown in the table below.		
		Party Identifier	[/!1a]/[34x]	O		SettlementInformation/InstructedReimbursementAgent/FinancialInstitutionIdentification/BICFI	Within Identification the options IBAN or Other/Identification are available.		
		Location	[35x]	O		SettlementInformation/InstructedReimbursementAgent/FinancialInstitutionIdentification/Name			
	54D	Party Identifier	[/!1a]/[34x]		O	Starts with '/'	SettlementInformation/InstructedReimbursementAgent/FinancialInstitutionIdentification/BICFI	Within Identification the options IBAN or Other/Identification are available.	
						Starts with '/'	SettlementInformation/InstructedReimbursementAgent/FinancialInstitutionIdentification/ClearingSystemMemberIdentification	Within ClearingSystemMemberIdentification the ClearingSystemIdentification and MemberIdentification within the ClearingSystem will be provided. The mapping of ClearingSystemIdentification between MT and ISO 20022 is shown in the table below.	
		Name and Address	4*35x	M	Line 1	SettlementInformation/InstructedReimbursementAgent/FinancialInstitutionIdentification/Name			
					Lines 2-4	SettlementInformation/InstructedReimbursementAgent/FinancialInstitutionIdentification/PostalAddress/AddressLine			
56a Intermediary						IntermediaryAgent1		Usage as Mandated Payment: Not used.	
	56A	Party Identifier	[/!1a]/[34x]	O	Starts with '/'	IntermediaryAgent1Account/Identification	Within Identification the options IBAN or Other/Identification are available.		
					Starts with '/'	IntermediaryAgent1/FinancialInstitutionIdentification/ClearingSystemMemberIdentification	Within ClearingSystemMemberIdentification the ClearingSystemIdentification and MemberIdentification within the ClearingSystem will be provided. The mapping of ClearingSystemIdentification between MT and ISO 20022 is shown in the table below.		
		Identifier Code	4!a2!a2!c[3!c]	M			IntermediaryAgent1/FinancialInstitutionIdentification/BICFI		
57a Account With Institution						CreditorAgent	CreditorAgent is mandatory in pacs.008. If in the MT field 57a Account With Institution is not present, then the Receiver must be mapped to CreditorAgent.		
	57A	Party Identifier	[/!1a]/[34x]	O	Starts with '/'	CreditorAgentAccount/Identification	Within Identification the options IBAN or Other/Identification are available.		
					Starts with '/'	CreditorAgent/FinancialInstitutionIdentification/ClearingSystemMemberIdentification	Within ClearingSystemMemberIdentification the ClearingSystemIdentification and MemberIdentification within the ClearingSystem will be provided. The mapping of ClearingSystemIdentification between MT and ISO 20022 is shown in the table below.		
		Identifier Code	4!a2!a2!c[3!c]	M			CreditorAgent/FinancialInstitutionIdentification/BICFI		
58a Beneficiary Institution						Creditor			
	58A	Party Identifier	[/!1a]/[34x]	O	Starts with '/'	CreditorAccount/Identification	Within Identification the options IBAN or Other/Identification are available.		
					Starts with '/'	Creditor/FinancialInstitutionIdentification/ClearingSystemMemberIdentification	Within ClearingSystemMemberIdentification the ClearingSystemIdentification and MemberIdentification within the ClearingSystem will be provided. The mapping of ClearingSystemIdentification between MT and ISO 20022 is shown in the table below.		
		Identifier Code	4!a2!a2!c[3!c]	M			Creditor/FinancialInstitutionIdentification/BICFI		Usage as Mandated Payment: Mandatory in case of Mandated Payments to CB Customers.
58D									

Name	Option	Subfield	Format	M/O	Mapping condition	ISO mapping	Comment	Target 2 Rule
		Party Identifier	[/1a]/[34x]	O	Starts with '/'	CreditorAccount/Identification	Within Identification the options IBAN or Other/Identification are available.	
					Starts with '/'	Creditor/FinancialInstitutionIdentification/ClearingSystemMemberIdentification	Within ClearingSystemMemberIdentification the ClearingSystemIdentification and MemberIdentification within the ClearingSystem will be provided. The mapping of ClearingSystemIdentification between MT and ISO 20022 is shown in the table below.	
		Name and Address	4*35x	M	Line 1 Lines 2-4	Creditor/FinancialInstitutionIdentification/Name Creditor/FinancialInstitutionIdentification/PostalAddress/AddressLine		
Sequence B - underlying customer credit transfer details								
52a Ordering Institution								
52A		Party Identifier	[/1a]/[34x]	O	Starts with '/'	DebtorAgentAccount/Identification	Within Identification the options IBAN or Other/Identification are available.	
					Starts with '/'	DebtorAgent/FinancialInstitutionIdentification/ClearingSystemMemberIdentification	Within ClearingSystemMemberIdentification the ClearingSystemIdentification and MemberIdentification within the ClearingSystem will be provided. The mapping of ClearingSystemIdentification between MT and ISO 20022 is shown in the table below.	
		Identifier Code	4!a2!a2!c[3!c]	M		DebtorAgent/FinancialInstitutionIdentification/BICFI		
	52D	Party Identifier	[/1a]/[34x]	O	Starts with '/'	DebtorAgentAccount/Identification	Within Identification the options IBAN or Other/Identification are available.	
					Starts with '/'	DebtorAgent/FinancialInstitutionIdentification/ClearingSystemMemberIdentification	Within ClearingSystemMemberIdentification the ClearingSystemIdentification and MemberIdentification within the ClearingSystem will be provided. The mapping of ClearingSystemIdentification between MT and ISO 20022 is shown in the table below.	
		Name and Address	4*35x	M	Line 1 Lines 2-4	DebtorAgent/FinancialInstitutionIdentification/Name DebtorAgent/FinancialInstitutionIdentification/PostalAddress/AddressLine		
56a Intermediary Institution								
56A		Party Identifier	[/1a]/[34x]	O	Starts with '/'	IntermediaryAgent1Account/Identification	Within Identification the options IBAN or Other/Identification are available.	
					Starts with '/'	IntermediaryAgent1/FinancialInstitutionIdentification/ClearingSystemMemberIdentification	Within ClearingSystemMemberIdentification the ClearingSystemIdentification and MemberIdentification within the ClearingSystem will be provided. The mapping of ClearingSystemIdentification between MT and ISO 20022 is shown in the table below.	
		Identifier Code	4!a2!a2!c[3!c]	M		IntermediaryAgent1/FinancialInstitutionIdentification/BICFI		
	56C	Party Identifier	[/34x]	M	Starts with '/'	IntermediaryAgent1/FinancialInstitutionIdentification/ClearingSystemMemberIdentification	As per MT Usage Rules, field must start with '/' Within ClearingSystemMemberIdentification the ClearingSystemIdentification and MemberIdentification within the ClearingSystem will be provided. The mapping of ClearingSystemIdentification between MT and ISO 20022 is shown in the table below.	
	56D	Party Identifier	[/1a]/[34x]	O	Starts with '/'	IntermediaryAgent1Account/Identification	Within Identification the options IBAN or Other/Identification are available.	
				Starts with '/'	IntermediaryAgent1/FinancialInstitutionIdentification/ClearingSystemMemberIdentification	Within ClearingSystemMemberIdentification the ClearingSystemIdentification and MemberIdentification within the ClearingSystem will be provided. The mapping of ClearingSystemIdentification between MT and ISO 20022 is shown in the table below.		
Name and Address		4*35x	M	Line 1 Lines 2-4	IntermediaryAgent1/FinancialInstitutionIdentification/Name IntermediaryAgent1/FinancialInstitutionIdentification/PostalAddress/AddressLine			

Name	Option	Subfield	Format	M/O	Mapping condition	ISO mapping	Comment	Target 2 Rule	
57a Account With Institution						CreditorAgent	CreditorAgent is mandatory in pacs.008. If in the MT field 57a Account With Institution is not present, then the Receiver must be mapped to CreditorAgent.		
	57A	Party Identifier	[/1a]/[34x]	O	Starts with '/'	CreditorAgentAccount/Identification	Within Identification the options IBAN or Other/Identification are available.		
					Starts with '/'	CreditorAgent/FinancialInstitutionIdentification/ClearingSystemMemberIdentification	Within ClearingSystemMemberIdentification the ClearingSystemIdentification and MemberIdentification within the ClearingSystem will be provided. The mapping of ClearingSystemIdentification between MT and ISO 20022 is shown in the table below.		
			Identifier Code	4!a2!a2!c[3!c]	M		CreditorAgent/FinancialInstitutionIdentification/BICFI		
	57B	Party Identifier	[/1a]/[34x]	O	Starts with '/'	CreditorAgentAccount/Identification	Within Identification the options IBAN or Other/Identification are available.		
									Location
	57C	Party Identifier	/34x	M	Starts with '/'	CreditorAgent/FinancialInstitutionIdentification/ClearingSystemMemberIdentification	As per MT Usage Rules, field must start with '/' Within ClearingSystemMemberIdentification the ClearingSystemIdentification and MemberIdentification within the ClearingSystem will be provided. The mapping of ClearingSystemIdentification between MT and ISO 20022 is shown in the table below.		
	57D	Party Identifier	[/1a]/[34x]	O	Starts with '/'	CreditorAgentAccount/Identification	Within Identification the options IBAN or Other/Identification are available.		
					Starts with '/'	CreditorAgent/FinancialInstitutionIdentification/ClearingSystemMemberIdentification	Within ClearingSystemMemberIdentification the ClearingSystemIdentification and MemberIdentification within the ClearingSystem will be provided. The mapping of ClearingSystemIdentification between MT and ISO 20022 is shown in the table below.		
		Name and Address	4*35x	M	Line 1	CreditorAgent/FinancialInstitutionIdentification/Name			
				Lines 2-4	CreditorAgent/FinancialInstitutionIdentification/PostalAddress/AddressLine				

ClearingSystemIdentification mapping

Country	System	MT clearing system code	ISO 20022 clearing system code
Australia	Australian Bank State Branch Code (BSB)	AU	AUBSB
Austria	Austrian Bankleitzahl	AT	ATBLZ
Canada	Canadian Payments Association Payment Routing Number	CC	CACPA
China	CNAPS Identifier	CN	CNAPS
Germany	German Bankleitzahl	BL	DEBLZ
Greece	Hellenic Bank Identification Code	GR	GRHIC
Hong Kong	Hong Kong Bank Code	HK	HKNCC
India	Indian Financial System Code	IN	INFSC
Ireland	Irish National Clearing Code	IE	IENCC
Italy	Italian Domestic Identification Code	IT	ITNCC
Japan	Japan Zengin Clearing Code	JP	JPZGN
New Zealand	New Zealand National Clearing Code	NZ	NZHCC
Poland	Polish National Clearing Code	PL	PLKNR
Portugal	Portuguese National Clearing Code	PT	PTNCC
Russia	Russian Central Bank Identification Code	RU	RUCBC
South Africa	South African National Clearing Code	ZA	ZANCC
Spain	Spanish Domestic Interbanking Code	ES	ESNCC
Switzerland	Swiss Clearing Code (BC Code)	SW	CHBCC
Switzerland	Swiss Clearing Code (SIC Code)	SW	CHSIC
UK	UK Domestic Sort Code	SC	GBDSC
US	CHIPS Participant Identifier	CP	USPID

Name	Option	Subfield	Format	M/O	Mapping condition	ISO mapping	Comment	Target 2 Rule
US		United States Routing Number				FW		USABA
Example								
MT		ISO 20022 equivalent						
.52A://BL12345678		<DtrAgt>						
BANKDEFF		<FinInstnId>						
		<BICFI>BANKDEFF</BICFI>						
		<CrSysMmbld>						
		<CrSysId>						
		<Cd>DEBLZ</Cd>						
		<CrSysId>						
		<Mmbld>12345678</Mmbld>						
		</CrSysMmbld>						
		</FinInstnId>						
		</DtrAgt>						

	Option	Subfield	Format	M/O	Mapping condition	ISO mapping	Comment	Target 2 Rule
20 Sender's Reference	-	-	16x	M		PaymentIdentification/InstructionIdentification		
						GroupHeader/MessageIdentification PaymentIdentification/TransactionIdentification	MessageIdentification and TransactionIdentification are mandatory in pacs.009. If no value can be generated, the advice is to copy the content of field 20.	
21 Related Reference	-	-	16x	M		PaymentIdentification/EndToEndIdentification		

Tag	Name	M/O	ISO Mapping	Comment	Target 2 Rule
20	Transaction Reference Number	M	CreditTransferTransactionInformation/PaymentIdentification/InstructionIdentification	For detailed information on mapping of references, refer to 'mapping references' section.	
21	Related Reference	M	CreditTransferTransactionInformation/PaymentIdentification/EndToEndIdentification	For detailed information on mapping of references, refer to 'mapping references' section.	
13C	Time Indication	O	CreditTransferTransactionInformation/SettlementTimeIndication/DebitDateTime (SNDTIME) CreditTransferTransactionInformation/SettlementTimeIndication/CreditDateTime (RNCTIME)	Mapping depends on code. Corresponding MT code between brackets.	In the outgoing messages it contains the settlement time. The format is: • Time Indication (SNDTIME) Note: ii and nn are the hours and minutes of UTC shift.
32A	Value Date, Currency Code, Amount	M	CreditTransferTransactionInformation/InterBankSettlementAmount CreditTransferTransactionInformation/InterBankSettlementDate		Only "EUR" is valid currency. Payments can be sent for the current business day and up to five TARGET working days in advance. Exception: Value date check is switched off for the sender's RTGS account by the responsible CB or TARGET2-OT.
52a	Ordering Institution	O	CreditTransferTransactionInformation/Debtor CreditTransferTransactionInformation/DebtorAccount	For detailed mapping of field options, refer to 'mapping financial institution' section.	Only BIC processed by HAM.
53a	Sender's Correspondent	O	GroupHeader/SettlementInformation/SettlementAccount GroupHeader/SettlementInformation/InstructingReimbursementAgent GroupHeader/SettlementInformation/InstructingReimbursementAgentAccount	For detailed mapping of field options, refer to 'mapping financial institution' section.	Only BIC processed by HAM.
57a	Account With Institution	O	CreditTransferTransactionInformation/CreditorAgent CreditTransferTransactionInformation/CreditorAgentAccount	For detailed mapping of field options, refer to 'mapping financial institution' section.	Only BIC processed by HAM.
58a	Beneficiary Institution	M	CreditTransferTransactionInformation/Creditor CreditTransferTransactionInformation/CreditorAccount	For detailed mapping of field options, refer to 'mapping financial institution' section.	Only BIC processed by HAM.
72	Sender to Receiver Information	O	CreditTransferTransactionInformation/InstructionForNextAgent/InstructionInformation	None of the codes defined for use in MT field 72 are individually mapped with exception of code /INS/.	For outgoing messages, in case of rejection, it contains the following code words providing details about the reason for the rejection. The format is: • /REJT/ followed by the identification of the field causing the reject or /RETN/ followed by the identification of the field causing the return (used for incoming payments from PM and directed to CB customers; if a payment is rejected in HAM for any reason, a reverse payment is sent from HAM to PM). • Reason Code, followed by a text description of the preceding reason code. • /MREF/ Sender's Reference, ie Instruction Identification of the original message (Transaction Reference Number of File Reference).

Name	Option	Subfield	Format	M/O	Mapping condition	ISO mapping	Comment	Target 2 Rule
52a Ordering Institution						Debtor	Debtor is mandatory in pacs.009. If in the MT field 52a Ordering Institution is not present, then the Sender must be mapped to Debtor.	
	52A							In incoming messages is not allowed. In outgoing messages it will contain the BIC of the debited account.
		Party Identifier	[/1a]/[34x]	O	Starts with '/'	DebtorAccount/Identification	Within Identification the options IBAN or Other/Identification are available.	
					Starts with '//'	Debtor/FinancialInstitutionIdentification/ClearingSystemMemberIdentification	Within ClearingSystemMemberIdentification the ClearingSystemIdentification and MemberIdentification within the ClearingSystem will be provided. The mapping of ClearingSystemIdentification between MT and ISO 20022 is shown in the table below.	
Identifier Code	4!a2!a2!c[3!c]	M		Debtor/FinancialInstitutionIdentification/BICFI				
53a Sender's Correspondent						InstructingReimbursementAgent		If used, this field must contain the BIC of the account to be debited. The Sender must be either the Co-Manager or CB.
	53A							
		Party Identifier	[/1a]/[34x]	O	Starts with '/'	SettlementInformation/InstructingReimbursementAgentAccount/Identification	Within Identification the options IBAN or Other/Identification are available.	
					Starts with '//'	SettlementInformation/InstructingReimbursementAgent/FinancialInstitutionIdentification/ClearingSystemMemberIdentification	Within ClearingSystemMemberIdentification the ClearingSystemIdentification and MemberIdentification within the ClearingSystem will be provided. The mapping of ClearingSystemIdentification between MT and ISO 20022 is shown in the table below.	
Identifier Code	4!a2!a2!c[3!c]	M		SettlementInformation/InstructingReimbursementAgent/FinancialInstitutionIdentification/BICFI				
54a Receiver's Correspondent						InstructedReimbursementAgent		Not allowed
	54A							
		Party Identifier	[/1a]/[34x]	O	Starts with '/'	SettlementInformation/InstructedReimbursementAgentAccount/Identification	Within Identification the options IBAN or Other/Identification are available.	
					Starts with '//'	SettlementInformation/InstructedReimbursementAgent/FinancialInstitutionIdentification/ClearingSystemMemberIdentification	Within ClearingSystemMemberIdentification the ClearingSystemIdentification and MemberIdentification within the ClearingSystem will be provided. The mapping of ClearingSystemIdentification between MT and ISO 20022 is shown in the table below.	
Identifier Code	4!a2!a2!c[3!c]	M		SettlementInformation/InstructedReimbursementAgent/FinancialInstitutionIdentification/BICFI				
56a Intermediary						IntermediaryAgent1		Not allowed
	56A	Party Identifier	[/1a]/[34x]	O	Starts with '/'	IntermediaryAgent1Account/Identification	Within Identification the options IBAN or Other/Identification are available.	

Name	Option	Subfield	Format	M/O	Mapping condition	ISO mapping	Comment	Target 2 Rule
					Starts with '/'	IntermediaryAgent1/FinancialInstitutionIdentification/ClearingSystemMemberIdentification	Within ClearingSystemMemberIdentification the ClearingSystemIdentification and MemberIdentification within the ClearingSystem will be provided. The mapping of ClearingSystemIdentification between MT and ISO 20022 is shown in the table below.	
		Identifier Code	4!a2!a2!c[3!c]	M		IntermediaryAgent1/FinancialInstitutionIdentification/BICFI		
57a Account With Institution						CreditorAgent	CreditorAgent is mandatory in pacs.008. If in the MT field 57a Account With Institution is not present, then the Receiver must be mapped to CreditorAgent.	
	57A	Party Identifier	[/1!a][/34x]	O	Starts with '/'	CreditorAgentAccount/Identification	Within Identification the options IBAN or Other/Identification are available.	
					Starts with '/'	CreditorAgent/FinancialInstitutionIdentification/ClearingSystemMemberIdentification	Within ClearingSystemMemberIdentification the ClearingSystemIdentification and MemberIdentification within the ClearingSystem will be provided. The mapping of ClearingSystemIdentification between MT and ISO 20022 is shown in the table below.	
		Identifier Code	4!a2!a2!c[3!c]	M		CreditorAgent/FinancialInstitutionIdentification/BICFI		Present only in HAM to PM Liquidity Transfers, BIC of the CB.
58a Beneficiary Institution						Creditor		
	58A	Party Identifier	[/1!a][/34x]	O	Starts with '/'	CreditorAccount/Identification	Within Identification the options IBAN or Other/Identification are available.	
					Starts with '/'	Creditor/FinancialInstitutionIdentification/ClearingSystemMemberIdentification	Within ClearingSystemMemberIdentification the ClearingSystemIdentification and MemberIdentification within the ClearingSystem will be provided. The mapping of ClearingSystemIdentification between MT and ISO 20022 is shown in the table below.	
		Identifier Code	4!a2!a2!c[3!c]	M		Creditor/FinancialInstitutionIdentification/BICFI		

ClearingSystemIdentification mapping

Country	System	MT clearing system code	ISO 20022 clearing system code
Australia	Australian Bank State Branch Code (BSB)	AU	AUBSB
Austria	Austrian Bankleitzahl	AT	ATBLZ
Canada	Canadian Payments Association Payment Routing Number	CC	CACPA
China	CNAPS Identifier	CN	CNAPS
Germany	German Bankleitzahl	BL	DEBLZ
Greece	Hellenic Bank Identification Code	GR	GRHIC
Hong Kong	Hong Kong Bank Code	HK	HKICC
India	Indian Financial System Code	IN	INFSC
Ireland	Irish National Clearing Code	IE	IEGCC
Italy	Italian Domestic Identification Code	IT	ITGCC
Japan	Japan Zengin Clearing Code	JP	JPZGN
New Zealand	New Zealand National Clearing Code	NZ	NZGCC
Poland	Polish National Clearing Code	PL	PLKNR
Portugal	Portuguese National Clearing Code	PT	PTGCC
Russia	Russian Central Bank Identification Code	RU	RUCBC

Name	Option	Subfield	Format	M/O	Mapping condition	ISO mapping	Comment	Target 2 Rule
Russia		Russian Central Bank Identification Code				RU RUCC		
South Africa		South African National Clearing Code				ZA ZANCC		
Spain		Spanish Domestic Interbanking Code				ES ESNCC		
Switzerland		Swiss Clearing Code (BC Code)				SW CHBCC		
Switzerland		Swiss Clearing Code (SIC Code)				SW CHSIC		
UK		UK Domestic Sort Code				SC GBDSC		
US		CHIPS Participant Identifier				CP USPID		
US		United States Routing Number				FW USABA		
Example								
MT :52A://BL12345678 BANKDEFF		ISO 20022 equivalent						
		<DtrAg> <FinInstId> <BICFI>BANKDEFF</BICFI> <CrSysMmbld> <CrSysId> <Cd>DEBLZ</Cd> </CrSysId> <Mmbld>12345678</Mmbld> </CrSysMmbld> </FinInstId> </DtrAg>						

Name	Option	Subfield	Format	M/O	Mapping condition	ISO mapping	Comment	Target 2 Rule
20 Sender's Reference	-	-	16x	M		PaymentIdentification/InstructionIdentification		For liquidity transfers with ASI: Used for unicity check as for "normal" payments
						GroupHeader/MessageIdentification PaymentIdentification/TransactionIdentification	MessageIdentification and TransactionIdentification are mandatory in pacs.009. If no value can be generated, the advice is to copy the content of field 20.	
21 Related Reference	-	-	16x	M		PaymentIdentification/EndToEndIdentification		

Tag	Name	M/O	ISO Mapping	Comment	Target 2 Rule
Sequence A - General Information					
M					
20	Transaction Reference Number	M	CreditInstruction/CreditIdentification	For detailed information on mapping of references, refer to 'mapping references' section.	
19	Sum of Amounts	M	CreditInstruction/TotalInterbankSettlementAmount		The amount in tag (TtIntrBkSttlmAmt) must be equal to the sum of the amounts in all tags (IntrBkSttlmAmt). This is the amount actually settled.
30	Value Date	M	CreditInstruction/InterbankSettlementDate		The date can be the current business day or up to five TARGET working days in advance.
57a	Account With Institution	O	CreditInstruction/CreditorAgent CreditInstruction/CreditorAgentAccount	For detailed mapping of field options, refer to 'mapping financial institution' section.	
58a	Beneficiary Institution	O	CreditInstruction/Creditor CreditInstruction/CreditorAccount	For detailed mapping of field options, refer to 'mapping financial institution' section.	
72	Sender to Receiver Information	O	CreditInstruction/InstructionForCreditorAgent	None of the codes defined for use in MT field 72 are individually mapped.	
72	Sender to Receiver Information	O	CreditTransferTransactionInformation/Settlement Time Request/TillTime (TILTIME) CreditTransferTransactionInformation/Settlement Time RequestFromTime (FROTIME) CreditTransferTransactionInformation/Settlement Time Request/RejectTime (REJTIME)		PM: The following codes in addition to the SWIFT standard can be used to set an execution time: <ul style="list-style-type: none"> • Time Indication (TILTIME) • Time Indication (FROTIME) • Time Indication (REJTIME) hhmm must be before the cut-off time for customer payments (17.00 under normal circumstances). If TILTIME and REJTIME are both mentioned only the first one is used by SSP.
Sequence B - Transaction Details					
M					
20	Transaction Reference Number	M	CreditInstruction/DirectDebitTransactionInformation/PaymentIdentification/InstructionIdentification	For detailed information on mapping of references, refer to 'mapping references' section.	
21	Related Reference	O	CreditInstruction/DirectDebitTransactionInformation/PaymentIdentification/EndToEndIdentification	For detailed information on mapping of references, refer to 'mapping references' section.	
32B	Transaction Amount	M	CreditInstruction/DirectDebitTransactionInformation/InterBankSettlementAmount		Only "EUR" is valid currency.
53a	Debit Institution	M	CreditInstruction/DirectDebitTransactionInformation/Debtor CreditInstruction/DirectDebitTransactionInformation/DebtorAccount	For detailed mapping of field options, refer to 'mapping financial institution' section.	
72	Sender to Receiver Information	O	CreditInstruction/DirectDebitTransactionInformation/InstructionForDebtorAgent	None of the codes defined for use in MT field 72 are individually mapped.	Not used by TARGET2.

Name	Option	Subfield	Format	M/O	Mapping condition	ISO mapping	Comment	Target 2 Rule
Sequence A - Common Elements								
57a Account With Institution						CreditorAgent	CreditorAgent is mandatory in pacs.008. If in the MT field 57a Account With Institution is not present, then the Receiver must be mapped to CreditorAgent.	
	57A	Party Identifier	[/1!a]/34x	O	Starts with '/'	CreditorAgentAccount/Identification	Within Identification the options IBAN or Other/Identification are available.	
					Starts with '/'	CreditorAgent/FinancialInstitutionIdentification/ClearingSystemMemberIdentification	Within ClearingSystemMemberIdentification the ClearingSystemIdentification and MemberIdentification within the ClearingSystem will be provided. The mapping of ClearingSystemIdentification between MT and ISO 20022 is shown in the table below.	
		Identifier Code	4!a2!a2!c3!c	M		CreditorAgent/FinancialInstitutionIdentification/BICFI		
58a Beneficiary Institution						Creditor		Usage as Connected Payment (increase credit line): The amount will be credited on the sender's account.
	58A	Party Identifier	[/1!a]/34x	O	Starts with '/'	CreditorAccount/Identification	Within Identification the options IBAN or Other/Identification are available.	
					Starts with '/'	Creditor/FinancialInstitutionIdentification/ClearingSystemMemberIdentification	Within ClearingSystemMemberIdentification the ClearingSystemIdentification and MemberIdentification within the ClearingSystem will be provided. The mapping of ClearingSystemIdentification between MT and ISO 20022 is shown in the table below.	
		Identifier Code	4!a2!a2!c3!c	M		Creditor/FinancialInstitutionIdentification/BICFI		
	58D	Party Identifier	[/1!a]/34x	O	Starts with '/'	CreditorAccount/Identification	Within Identification the options IBAN or Other/Identification are available.	
					Starts with '/'	Creditor/FinancialInstitutionIdentification/ClearingSystemMemberIdentification	Within ClearingSystemMemberIdentification the ClearingSystemIdentification and MemberIdentification within the ClearingSystem will be provided. The mapping of ClearingSystemIdentification between MT and ISO 20022 is shown in the table below.	
		Name and Address	4*35x	M	Line 1	Creditor/FinancialInstitutionIdentification/Name		
					Lines 2-4	Creditor/FinancialInstitutionIdentification/PostalAddress/AddressLine		
Sequence B - Transaction Details								
								In case of an Internet-based direct participant as receiver (Responder DN of "TRGTXEPMLVP" and BIC of Internet-based direct participant is quoted in tag <Dbtr><FinInstId><BICFI> repetitive tag <DrctDbtTxInf> can only be used once. Usage as Connected Payment (increase credit line): Repetitive tag <DrctDbtTxInf> can only be used once.

53a Debit Institution						Debtor		Usage as Connected Payment (increase credit line): BIC of the direct participant (account to be debited) must be stated.
53A	Party Identifier	[/1!a]/34x	O	Starts with '/'	DebtorAccount/Identification	Within Identification the options IBAN or Other/Identification are available.		
				Starts with '//'	Debtor/FinancialInstitutionIdentification/ClearingSystemMemberIdentification	Within ClearingSystemMemberIdentification the ClearingSystemIdentification and MemberIdentification within the ClearingSystem will be provided. The mapping of ClearingSystemIdentification between MT and ISO 20022 is shown in the table below.		
	Identifier Code	4!a2!a2!c3!c	M		Debtor/FinancialInstitutionIdentification/BICFI			
	53B	Party Identifier	[/1!a]/34x	O		DebtorAccount/Identification	Within Identification the options IBAN or Other/Identification are available.	
	Location	[35x]	O		Debtor/FinancialInstitutionIdentification/Name			
53D	Party Identifier	[/1!a]/34x	O	Starts with '/'	DebtorAccount/Identification			
				Starts with '//'	Debtor/FinancialInstitutionIdentification/ClearingSystemMemberIdentification	Within ClearingSystemMemberIdentification the ClearingSystemIdentification and MemberIdentification within the ClearingSystem will be provided. The mapping of ClearingSystemIdentification between MT and ISO 20022 is shown in the table below.		
	Name and Address	4*35x	M	Line 1	Debtor/FinancialInstitutionIdentification/Name			
				Lines 2-4	Debtor/FinancialInstitutionIdentification/PostalAddress/AddressLine			

ClearingSystemIdentification mapping

Country	System	MT clearing system code	ISO 20022 clearing system code
Australia	Australian Bank State Branch Code (BSB)	AU	AUBSB
Austria	Austrian Bankleitzahl	AT	ATBLZ
Canada	Canadian Payments Association Payment Routing Number	CC	CACPA
China	CNAPS Identifier	CN	CNAPS
Germany	German Bankleitzahl	BL	DEBLZ
Greece	Hellenic Bank Identification Code	GR	GRHIC
Hong Kong	Hong Kong Bank Code	HK	HKHCC
India	Indian Financial System Code	IN	INFSC
Ireland	Irish National Clearing Code	IE	IEHCC
Italy	Italian Domestic Identification Code	IT	ITNCC
Japan	Japan Zengin Clearing Code	JP	JPZGN
New Zealand	New Zealand National Clearing Code	NZ	NZNCC
Poland	Polish National Clearing Code	PL	PLKNR
Portugal	Portuguese National Clearing Code	PT	PTNCC
Russia	Russian Central Bank Identification Code	RU	RUCBC
South Africa	South African National Clearing Code	ZA	ZANCC
Spain	Spanish Domestic Interbanking Code	ES	ESNCC
Switzerland	Swiss Clearing Code (BC Code)	SW	CHBCC
Switzerland	Swiss Clearing Code (SIC Code)	SW	CHSIC
UK	UK Domestic Sort Code	SC	GBDSC
US	CHIPS Participant Identifier	CP	USPID
US	United States Routing Number	FW	USABA
Example			
MT :52A//BL12345678 BANKDEFF	ISO 20022 equivalent <DebAg> <FinInstId> <BICFI>BANKDEFF</BICFI> <ClrSysMmbld>		

	<pre><CrSysId> <Cd>DEBLZ</Cd> </CrSysId> <Mmbld>12345678</Mmbld> </CrSysMmbld> </FinInstId> </DstrAg></pre>		
--	---	--	--

Name	Option	Subfield	Format	M/O	Mapping condition	ISO mapping	Comment	Target 2 Rule
Sequence A - General Information								
20 Transaction Reference Number	-	-	16x	M		CreditInstruction/CreditIdentification		
						GroupHeader/MessageIdentification	MessageIdentification is mandatory in pacs.010. If no value can be generated, the advice is to copy the content of field 20 (Sequence A).	
Sequence B - Transaction Details								
20 Transaction Reference Number	-	-	16x	M		DirectDebitTransactionInformation/PaymentIdentification/InstructionIdentification		
						DirectDebitTransactionInformation/PaymentIdentification/TransactionIdentification	TransactionIdentification is mandatory in pacs.010. If no value can be generated, the advice is to copy the content of field 20 (Sequence B).	
21 Related Reference	-	-	16x	O		DirectDebitTransactionInformation/PaymentIdentification/EndToEndIdentification		

Tag	Name	M/O	ISO Mapping	Comment	TARGET 2 Rule
20	Transaction Reference Number	M	Notification/Entry/EntryReference	For detailed information on mapping of references, refer to 'mapping references' section	Additional information (For payments linked to AS: The TRN is built with "AS" followed by the 14 last characters of the timestamp "ASddhhmssnnnnn")
21	Related Reference	M	Notification/Entry/EntryDetails/TransactionDetails/References/InstructionIdentification	For detailed information on mapping of references, refer to 'mapping references' section	
25	Account Identification	M	Notification/Account/Identification/Other/Identification		PM/ASI/TZSI: Usage up to 34 digit account number related to debited RTGS main account or sub-account. HAM: Usage up to 34 digits; relevant HAM account number
32A	Value Date, Currency Code, Amount	M	Notification/Entry/Amount Notification/Entry/ValueDate/Date Notification/Entry/EntryDetails/TransactionDetails/Amount	Amount is mandatory on Entry and TransactionDetails level, so the MT amount will be mapped twice and will be the same at Entry and TransactionDetails level.	Amount is expressed in EUR only. PM: If confirmation is sent out due to a credit line decrease initiated by the CB via ICM U2A or A2A (codeword "/CREDITLINE/" in Sender to Receiver Information of Debit Notification message): Amount of the credit line change (delta). Only current day.
52a	Ordering Institution	O	Notification/Entry/EntryDetails/TransactionDetails/RelatedParties/Debtor Notification/Entry/EntryDetails/TransactionDetails/RelatedParties/DebtorAccount	For detailed mapping of field options, refer to 'mapping financial institution' section	
72	Sender to Receiver Information	O	Notification/Entry/EntryDetails/TransactionDetails/AdditionalTransactionInformation		PM: <ul style="list-style-type: none"> /BUP/ for backup payments /LIQUIINP/ for a liquidity transfer /LIQUIOUT/ for liquidity forwarding from PM (except at the end-of-day) /LIQUIT2S/ for liquidity transfers to T2S /CRDTLN/15d to indicate the change of credit line to the user for a connected payment. /CREDITLINE/ for credit line change via ICM order (U2A and A2A) /MANPAY/ for mandated payments /SSPBIL/ for CRISP billing ASI: <ul style="list-style-type: none"> /ASDEBT/ to indicate the debtor of the original transaction /MANPAY/ in case the notification is related to a mandated payment /ASINF/ to report the remittance information (ASTI) or instr. Information (pacs.009.001.03) HAM: <ul style="list-style-type: none"> /LIQUISOD/ for liquidity transfer at the start-of-day from HAM to PM The first line contains the time. Format: /SETTIME/HHMMSSCC /HAMINT/ for "HAM interest" (managed within HAM) /INTERMOD/ for transfer of liquidity from PM to HAM account of different participants

Tag	Name	M/O	ISO Mapping	Comment	TARGET 2 Rule
					<p>SF:</p> <ul style="list-style-type: none"> • /SFOVDINT/ for "Overnight Deposit Interest" • /SFMLAINT/ for "Automatic Marginal Lending Interest" • /SFMLOINT/ for "Marginal Lending On Request Interest" • /LIQUISF/ for liquidity transfer to/from standing facilities module <p>The following lines are filled in with one of the 3 string: //AUTOMATIC MARGINAL LENDING 0004 //MARGINAL LENDING ON REQUEST 0004 //OVERNIGHT DEPOSIT 0003 followed in the 3rd line by Debtor and Creditor BIC</p> <ul style="list-style-type: none"> • Information about the counter-part involved in SF operations is provided in a new line and structured as follows: //DEB BIC1 CRED BIC2 where BIC1 is the BIC of the debited account and BIC2 is the BIC of the credited account • Information regarding reverse operations in SF is provided at the end of the corresponding line with an "R"(eg //OVERNIGHT DEPOSIT nnnn "R") <p>RM:</p> <ul style="list-style-type: none"> • /RMRESINT/ for "Interest on minimum reserve" • /RMRESPEN/ for "Penalties for infringements" • The complete information provided by RM and forwarded by PM/HAM is: <p>PENALTY: /RMRESPEN/ //PENALTY FOR COMPULSORY RESERVE //IN THE PERIOD: //YYYY-MM-DD - YYYY-MMDD//DEB CI_BIC CRE</p> <p>INTEREST: /RMRESINT/ // INTEREST FOR COMPULSORY RESERVE //IN THE PERIOD: //YYYY-MM-DD - YYYY-MMDD//DEB CB_BIC CRE CI_BIC</p> <p>CM:</p> <ul style="list-style-type: none"> • /BALANCM/ for the confirmation on turnover stemming from CM
Note	-		Notification/Entry/CreditDebitIndicator/Debit Notification/Entry/EntryDetails/TransactionDetails/CreditDebitIndicator/Debit	The camt.054 can be used for both debit and credit confirmations. In this case the Debit indicator must be used.	

Name	Option	Subfield	Format	M/O	Mapping condition	ISO mapping	Comment	TARGET 2 Rule
52a Ordering Institution	52A	Identifier Code	4!a2!a2!c[3!c]	M		Debtor/Identification/OrganisationIdentification/AnyBIC		<p>PM: For the debit entries stemming from liquidity transfers to T2S:</p> <ul style="list-style-type: none"> • LiquidityCreditTransfer: BIC matching to the sender DN - optionally given "works as" BIC in the application header. • Execution of standing orders: BIC of the account holder • Current orders sent via ICM (U2A): BIC of the working user; se-lected "works as" BIC <p>ASI:</p> <ul style="list-style-type: none"> • Execution of Standing orders and current orders sent by Settlement Banks via ICM: <p>BIC of the Settlement Bank</p> <ul style="list-style-type: none"> • Execution of LiquidityCreditTransfer or SBTransferInitiation sent in A2A via ICM by Settlement Bank: <p>BIC of the Settlement Bank</p> <ul style="list-style-type: none"> • FinancialInstitutionCreditTransfer sent by a Settlement Bank: <p>BIC of the Settlement Bank</p> <ul style="list-style-type: none"> • Back Transfer of liquidity ordered with End of Procedure: <p>BIC of the AS if procedure closed via ICM</p> <p>BIC AS in SubjectDetails (if filled) else BIC AS sender of ReturnGeneralBusinessInformation</p> <ul style="list-style-type: none"> • End of Procedure by SSP at End of Business day: <p>BIC TRGTXEPMASI</p> <ul style="list-style-type: none"> • Others cases: <p>BIC AS in Initiating Party (if filled) else BIC sender of the ATransferInitiation</p> <p>HAM: It contains the sender of the related payment message. For internal payments generated directly by the SSP modules (SF interest, RM interest and penalties) it contains the BIC</p>

Name	Option	Subfield	Format	M/O	Mapping condition	ISO mapping	Comment	TARGET 2 Rule
20 Sender's Reference	-	-	16x	M		Notification/Entry/EntryReference		<ul style="list-style-type: none"> For payments linked to AS: The TRN is built with "AS" followed by the 14 last characters of the timestamp "ASddhhmssnnnnn" For all other payments: SSP Business Case ID (up to 16 numeric characters)
						GroupHeader/MessageIdentification Notification/Identification	MessageIdentification and NotificationIdentification are mandatory in camt.054. If no value can be generated, the advice is to copy the content of field 20.	
21 Related Reference	-	-	16x	M		Notification/Entry/EntryDetails/TransactionDetails/References/InstructionIdentification		<p>T2S1: For liquidity transfers to T2S:</p> <ul style="list-style-type: none"> Initiated via XML message LiquidityCreditTransfer: Copy of EndToEndIdentification Execution of standing orders and current orders sent via ICM screens (U2A) without end-to-end identification: SSP Business Case ID <p>PM:</p> <ul style="list-style-type: none"> For transactions received via ICM (A2A) the first 16 characters of the MsgId. For transactions received via ICM (U2A) the internal reference. "NEW" for internal payments generated directly by the SSP modules (SF interest, RM interest and penalties). <p>ASI:</p> <ul style="list-style-type: none"> Execution of Standing orders and current orders sent via ICM screens (U2A) : Internal SSP reference Execution of LiquidityCreditTransfer or SBTransferInitiation sent in A2A via ICM by Settlement Bank: <p>Copy of MessageIdentification</p> <ul style="list-style-type: none"> FinancialInstitutionCreditTransfer sent by a Settlement Bank: Copy of InstructionIdentification of FinancialInstitutionCreditTransfer Back Transfer of liquidity ordered with End of Procedure: <p>Copy of BusinessInformationRef. of the ReturnGeneralBusinessInformation message, 'NONREF' if End of Procedure is triggered on ICM</p> <ul style="list-style-type: none"> End of Procedure by SSP at End of Business day" : Related internal reference attributed by the SSP specifically to each AS for the procedure which has to be closed by the SSP. Others cases: Copy of EndToEndIdentification contained in the ATransferInitiation

Tag	Name	M/O	ISO Mapping	Comment	TARGET 2 Rule
20	Transaction Reference Number	M	Notification/Entry/EntryReference	For detailed information on mapping of references, refer to 'mapping references' section	ASI: For payments linked to AS: The TRN is built with "AS" followed by the 14 last characters of the timestamp "ASddhhmssnnnnnn"
21	Related Reference	M	Notification/Entry/EntryDetails/TransactionDetails/References/EndToEndIdentification	For detailed information on mapping of references, refer to 'mapping references' section	
25	Account Identification	M	Notification/Account/Identification/Other/Identification		PM/ASI/T2SI: Usage up to 34 digit account number related to credited RTGS main account or sub-account. HAM: In case the camt.054 is sent to indicate a credit on a HAM account, the account number of the respective HAM account is entered in the field.
32A	Value Date, Currency Code, Amount	M	Notification/Entry/Amount Notification/Entry/ValueDate/Date Notification/Entry/EntryDetails/TransactionDetails/Amount	Amount is mandatory on Entry and TransactionDetails level, so the MT amount will be mapped twice and will be the same at Entry and TransactionDetails level.	Amount is expressed in EUR only. PM: If confirmation is sent out due to a credit line increase initiated by the CB via ICM U2A or A2A (codeword "/CREDITLINE/" in Sender to Receiver Information of Credit Notification message): Amount of the credit line change (delta). Only current day.
56a	Intermediary	O	Notification/Entry/EntryDetails/TransactionDetails/RelatedAgents/IntermediaryAgent1	For detailed mapping of field options, refer to 'mapping financial institution' section	
72	Sender to Receiver Information	O	Notification/Entry/EntryDetails/TransactionDetails/AdditionalTransactionInformation		PM: <ul style="list-style-type: none"> • /LIQUIINP/ for a liquidity transfer • /LIQUIOUT/ for liquidity forwarding from PM (except at the end-of-day) • /CRDTLN/15d to indicate the change of credit line to the user for a connected payment. • /CREDITLINE/ for credit line change via ICM order (U2A and A2A) • /SSPBIL/ for CRISP billing ASI: <ul style="list-style-type: none"> • /ASCRED/ to indicate the creditor of the original transaction • /MANPAY/ in case the notification is related to a mandated payment • /ASINF/ to report the remittance information (ASTI) or instruction Information (pacs.009.001.03) HAM: <ul style="list-style-type: none"> • /LIQUISOD/ for liquidity transfer at the start-of-day from HAM to PM • The first line contains the time. Format: /SETTIME/HHMMSSCC • /HAMINT/ for "HAM interest" (managed within HAM) • /INTERMOD/ for transfer of liquidity from PM to HAM account of different participants • As a general rule the remaining 5 lines will contain the first 5 lines of tag 72 of the incoming message.

				<p>SF:</p> <ul style="list-style-type: none"> • /SFOVDINT/ for “Overnight Deposit Interest” • /SFMLOINT/ for “Marginal Lending On Request Interest” • /LIQUISF/ for liquidity transfer to/from standing facilities module • Information about the counter-part involved in SF operations is provided in a new line and structured as follows: //DEB BIC1 CRED BIC2 where BIC1 is the BIC of the debited account and BIC2 is the BIC of the credited account • Information regarding reverse operations in SF is provided at the end of the corresponding line with an “R”(eg //OVERNIGHT DEPOSIT nnnn “R”) <p>RM:</p> <ul style="list-style-type: none"> • /RMRESINT/ for “Interest on minimum reserve” • /RMRESPEN/ for “Penalties for infringements” • The complete information provided by RM and forwarded by PM/HAM is: <p>PENALTY: /RMRESPEN/ //PENALTY FOR COMPULSORY RESERVE //IN THE PERIOD: //YYYY-MM-DD - YYYY-MMDD//DEB CI_BIC CRE CB_BIC INTEREST: /RMRESINT/ // INTEREST FOR COMPULSORY RESERVE //IN THE PERIOD: //YYYY-MM-DD - YYYY-MMDD//DEB CB_BIC CRE CI_BIC</p> <p>CM:</p> <ul style="list-style-type: none"> • /BALANCM/ for the confirmation on turnover stemming from CM
Note	-	Notification/Entry/CreditDebitIndicator/Credit Notification/Entry/EntryDetails/TransactionDetails/CreditDebitIndicator/Credit	The camt.054 can be used for both debit and credit confirmations. In this case the Credit indicator must be used.	

Name	Option	Subfield	Format	M/O	Mapping condition	ISO mapping	Comment	TARGET 2 Rule
52a Ordering Institution						Debtor		
	52A	Party Identifier	[/1!a]/[34x]	O	Starts with '/'	DebtorAccount/Identification/Other/Identification		
		Identifier Code	4!a2!a2!c[3!c]	M		Debtor/Identification/OrganisationIdentification/AnyBIC		<p>BIC of the debtor ordering institution of the related payment message or sender of the credit message.</p> <p>ASI:</p> <ul style="list-style-type: none"> - Execution of Standing orders and current orders sent by Settlement Banks via ICM: BIC of the Settlement Bank - Execution of LiquidityCreditTransfer sent in A2A via ICM by Settlement Bank BIC of the Settlement Bank - pacs.009.001.03 sent by a Settlement Bank BIC of the Settlement Bank - Back Transfer of liquidity ordered with End of Procedure BIC of the AS when closed via ICM BIC AS in SubjectDetails (if filled) else BIC AS sender of ReturnGeneralBusinessInformation - End of Procedure by SSP at End of Business day BIC TRGTXEPMASI - Others cases: BIC AS in Initiating Party (if filled) else BIC sender of the ASTransferInitiation. <p>HAM:</p> <p>It contains the sender of the related payment message. For internal payments generated directly by the SSP modules (SF interest, RM interest and penalties) it contains the BIC of the central bank of the debtor.</p>
56a Intermediary						IntermediaryAgent1		
	56A	Identifier Code	4!a2!a2!c[3!c]	M		IntermediaryAgent1/FinancialInstitutionIdentification/BICFI		<p>HAM:</p> <p>It is equal to the account debited if different from the Ordering Institution.</p>

Name	Option	Subfield	Format	M/O	Mapping condition	ISO mapping	Comment	TARGET 2 Rule
20 Sender's Reference	-	-	16x	M		Notification/Entry/EntryReference		<ul style="list-style-type: none"> For payments linked to AS: The TRN is built with "AS" followed by the 14 last characters of the timestamp "ASddhhmssnnnnnn" For all other payments: SSP Business Case ID (up to 16 numeric characters)
						GroupHeader/MessageIdentification Notification/Identification	MessageIdentification and NotificationIdentification are mandatory in camt.054. If no value can be generated, the advice is to copy the content of field 20.	
21 Related Reference	-	-	16x	M		Notification/Entry/EntryDetails/TransactionDetails/References/EndToEndIdentification		<p>PM: Related Reference:</p> <ul style="list-style-type: none"> Execution of Standing orders and current orders sent via ICM screens (U2A) : Internal SSP reference Execution of LiquidityCreditTransfer sent in A2A via ICM : Copy of MessageIdentification <p>ASI:</p> <ul style="list-style-type: none"> pacs.009.001.03 sent by a Settlement Bank: Copy of InstructionIdentification of pacs.009.001.03 Back Transfer of liquidity ordered with End of Procedure: Copy of BusinessInformationReference of the ReturnGeneralBusinessInformation message, 'NONREF' if End of Procedure is triggered on ICM End of Procedure by SSP at End of Business day: Related internal reference attributed by the SSP specifically to each AS for the procedure which has to be closed by the SSP. Others cases: Copy of EndToEndIdentification contained in the ATransferInitiation message